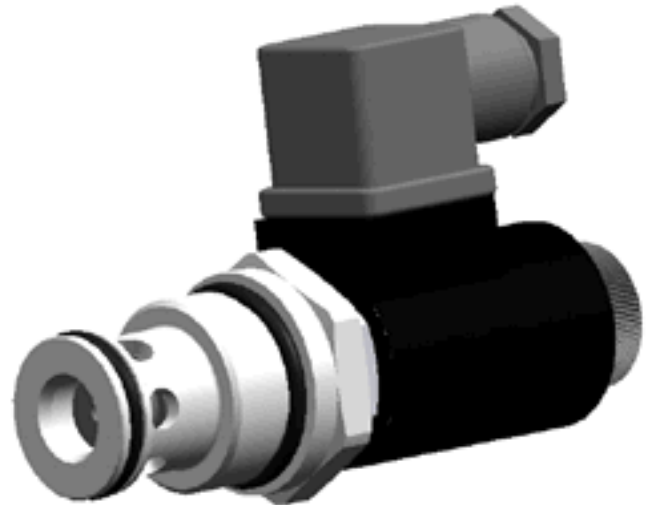


APPLICATION

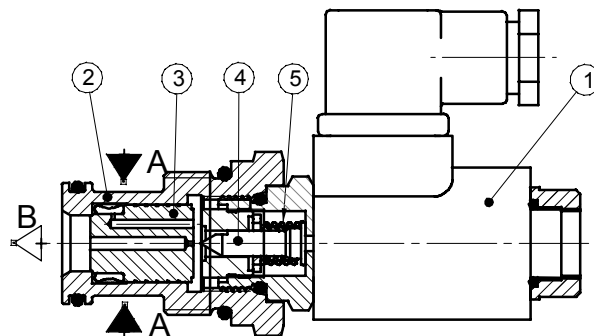
One-way direct acting double lock normally cloused poppet style solenoid cartridge valves type 2 URES 10 are designed for application requiring extremely fast response times and virtually zero internal leakage.



DESCRIPTION OF OPERATION

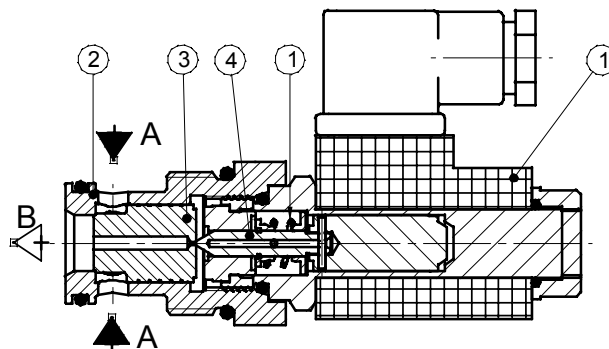
SOLENOID VALVES 2 URES 10 - A1

The directional valve consists of solenoid 1, sleeve 2, cone 3, needle 4, spring 5 and emergency button 6. Flow is enabled or cut off by moving the cone 3 in sleeve 2. Flow from 2 to 1 is cut off by applying supply voltage onto the solenoid and moving needle 4, which in consequence closes cone 3 by pressure from duct 2. Flow from 2 to 1 is enabled by applying supply voltage onto the solenoid and moving needle 4, which in consequence opens cone 3 by pressure from duct 2.



SOLENOID VALVES 2 URES 10 - A2

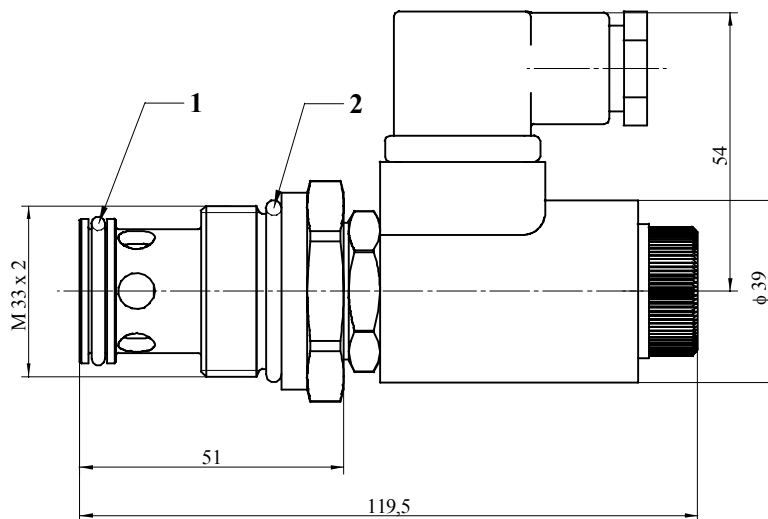
The directional valve consists of solenoid 1, sleeve 2, cone 3, needle 4 and spring 5. Flow from 2 to 1 is enabled by applying supply voltage onto the solenoid and moving needle 4, which in consequence opens cone 3 by pressure from duct 2. When supply voltage is switched off, the needle 4 is reversed by spring 5 and cone 3 is closed.



TECHNICAL DATE

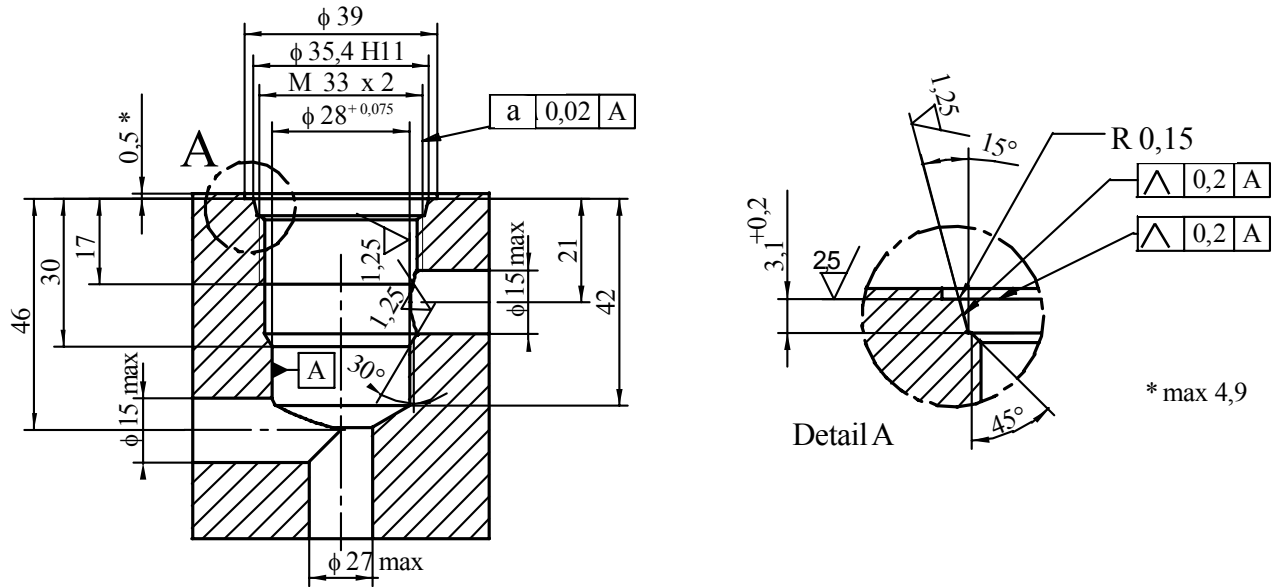
Working fluid	Mineral oil
Nominal fluid viscosity	37 mm ² /s at a temp. 328 K (55°C)
Viscosity range	2,8 do 380 mm ² /s
Optimum working temp. range	313 ÷ 328 K (40 °C ÷ 55°C)
Fluid temperature range	243 ÷ 343 K (-30°C ÷ 70°C)
Required fluid filtration	16 µm
Reccomended fluid filtration	10 µm
Maximum working pressure	21 MPa
Power requirement	26 W
Weight	0,6 kg
Security degree	IP 65

OVERALL DIMENSIONS

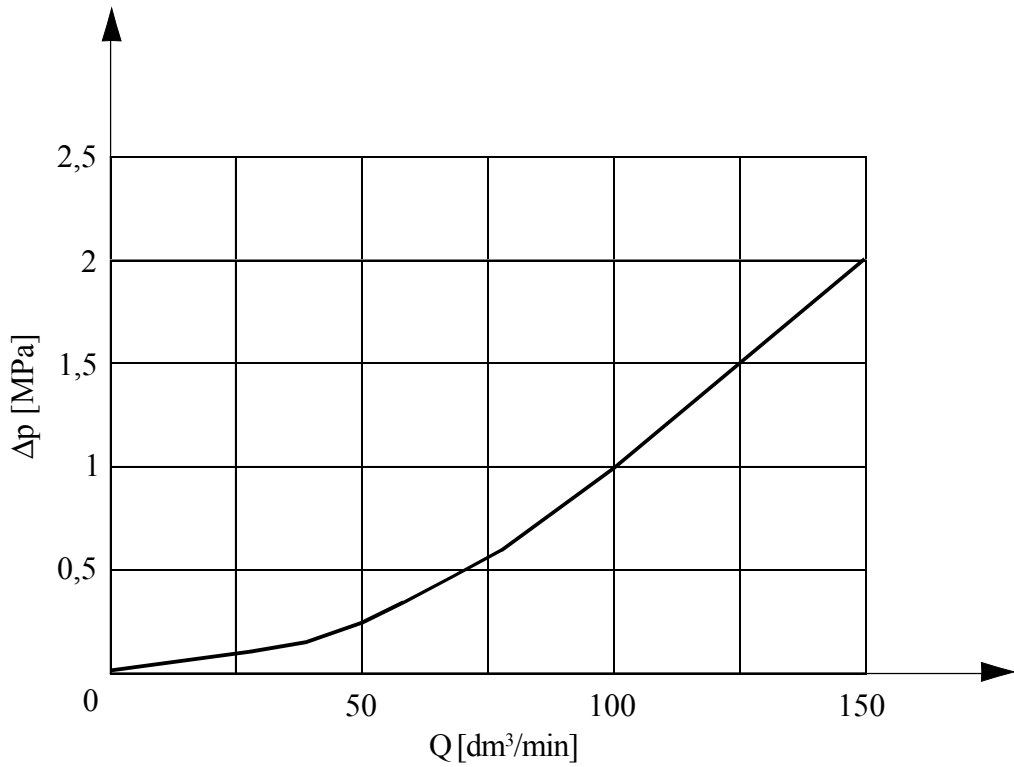


- 1- Sealing ring 23,47 x 2,62
- 2- Sealing ring 29,2 x 3

DIMENSIONS OD CAVITY



PERFORMANCE CURVES at $v = 41 \text{ mm}^2/\text{s}$ at a temp. 323 K



SYMBOL



HOW TO ORDER

Orders coded in the way showed below should be forwarded to the manufacturer

2URES 10		02 / 2	M1		Z4		*
-----------------	--	---------------	-----------	--	-----------	--	----------

Control spool type

Spool A1	= A1
Spool A2	= A2

Series number

02	= 02
(02 - 09)	= installation and connection dimension unchanged

Number of working position

Two position valve	= 2
--------------------	-----

Kind of cavity

Cavity M33 x 2	= M1
----------------	------

Voltage for solenoid

12V DC	= G12
24V DC	= G24
110V-50 Hz plug with rectifier	= W110 R
220V-50 Hz plug with rectifier	= W220 R

Electrical connection

angled plug Z4	= Z4
----------------	------

Sealing

oilproof	= No designation
viton	= V

Further requirements to be added in text (to agree with manufacturer)

Coding example:

2 URES 10 A1 02/2 M1 G12 Z4

PONAR WADOWICE S.A.
 ul. Wojska Polskiego 29
 34-100 Wadowice
 tel. 033/ 823 39 43, 823 30 41
 fax 033/ 873 48 80
 e-mail: ponar@ponar-wadowice.pl

