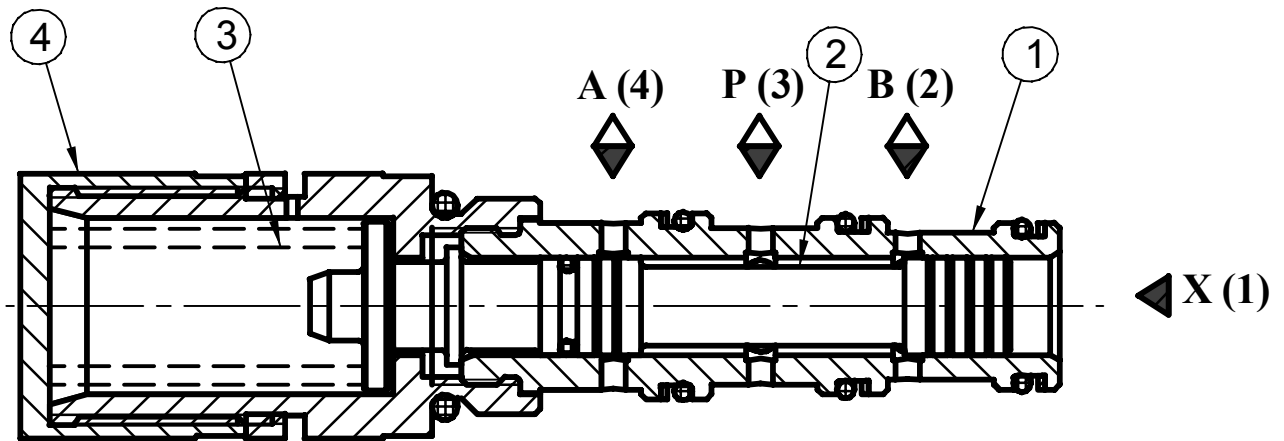


APPLICATION

Pressure sequence valve type 3URHD6 serves to switch a system or any part of a system on or off when a set pressure is reached.



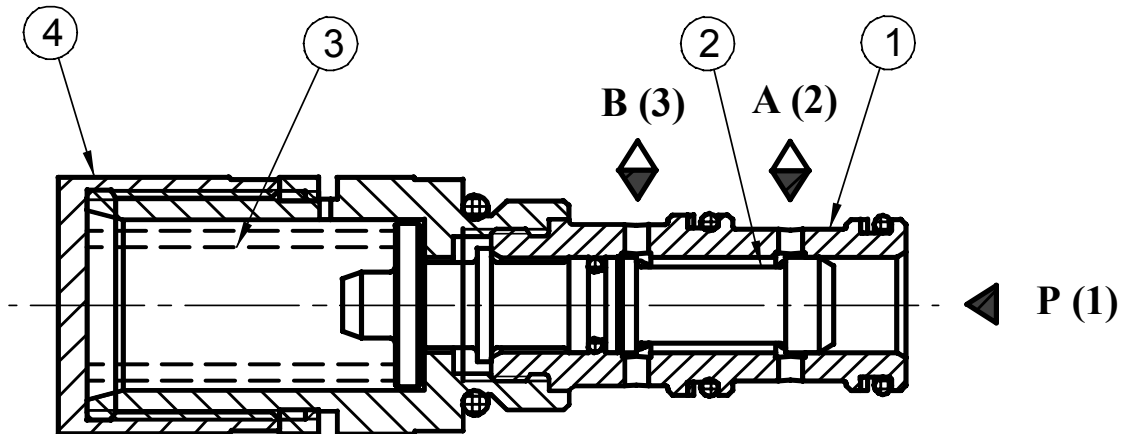
DESCRIPTION OF OPERATION



Typ 3URHD6 - ... / Z ...

A moveable control spool 2 is in the valve sleeve 1. When a pressure X does not act onto the spool, the spool assumes an initial position causing the connection of ports P – B (line A is cut off).

The increasing control pressure X exceeds the tension of a spring 3 and thus the spool switches and the line P-A opens (line B is cut off). Value of the switching pressure can be set by an adjustment 4.



Typ 3URHD6 - ... / W ...

A moveable control spool 2 is in the valve sleeve 1. The line P is simultaneously a control line. When the line P is unpressurised the spool assumes an initial position causing the connection of ports B – A (line P is cut off).

The increasing pressure at the line P exceeds the tension of a spring 3 and thus the spool switches and the line P – A opens (line B is cut off).

Value of the switching pressure can be set by an adjustment 4.

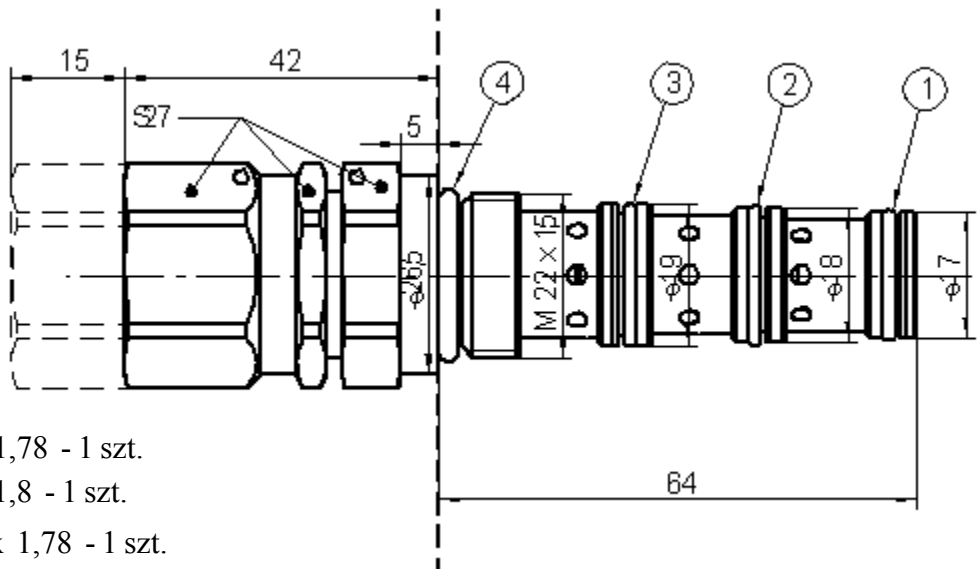
Caution : To avoid vibration in the switched position pressure in the line P – A must exceed pressure set at the valve.

TECHNICAL DATA

Working fluid	Mineral oil
Nominal fluid viscosity	37 mm ² /s at temp. 328 K (55°C)
Viscosity range	2,8 do 380 mm ² /s
Optimum working temperature range	313 – 328 K (40 do 55°C)
Working temperature range	243 – 343 K (-30 do 70°C)
Max working pressure	29 MPa
Pressure range	3, 6, 12, 18 MPa
Max flow rate	30 dm ³ /min
Required fluid filtration	16 μm
Recommended fluid filtration	10 μm
Weight for type W	0,22 kg
Weight for type Z	0,28 kg

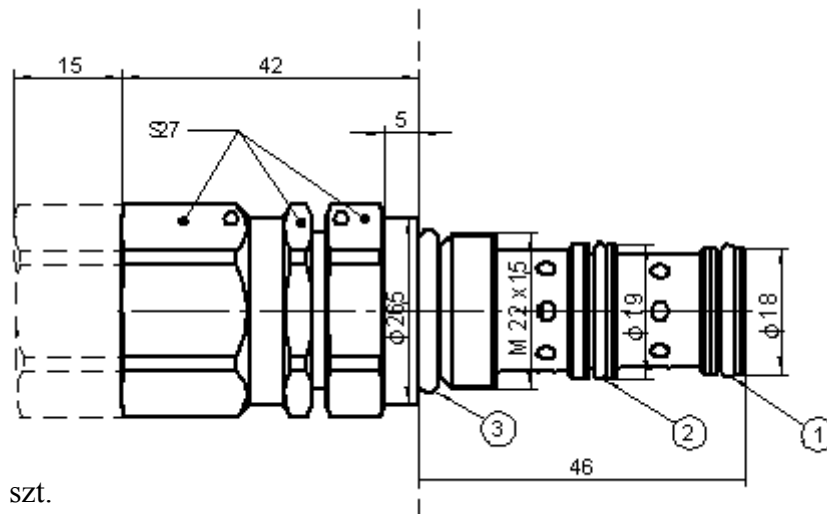
OVERALL DIMENSIONS

Type "Z"



- pos.1 "O-ring" 14 x 1,78 - 1 szt.
- pos.2 "O-ring" 15 x 1,8 - 1 szt.
- pos.3 "O-ring" 15,6 x 1,78 - 1 szt.
- pos.4 "O-ring" 18 x 2,65 - 1 szt.

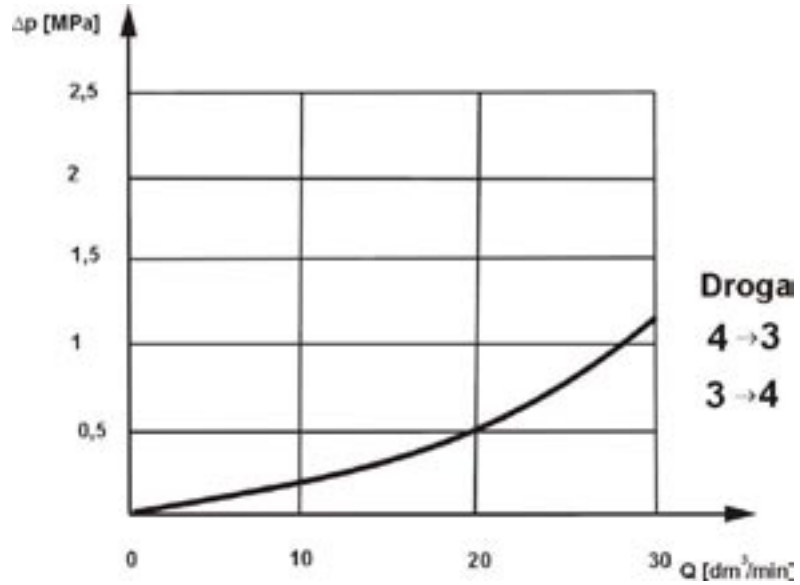
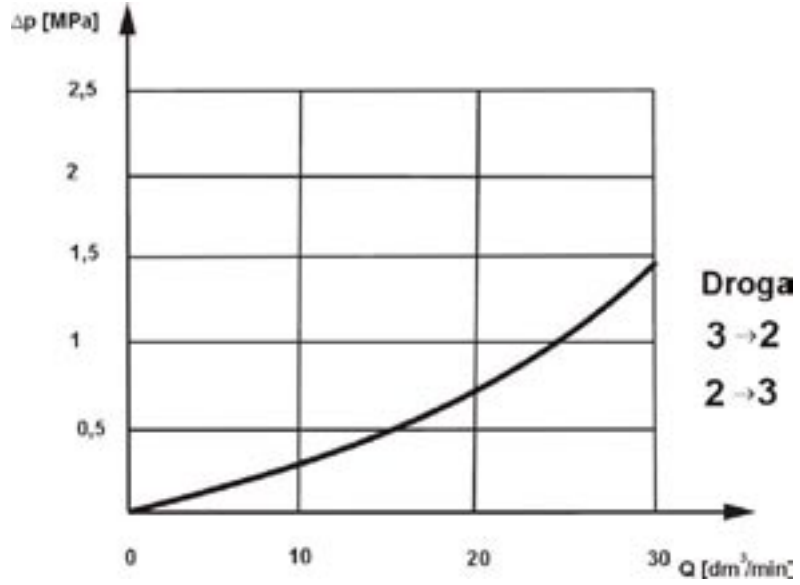
Type "W"



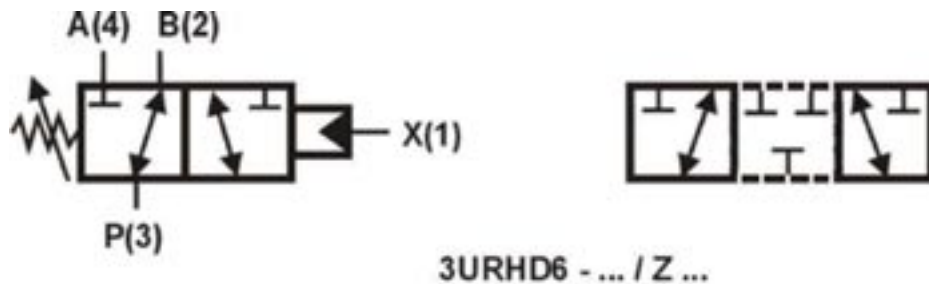
- pos.1 "O-ring" 15 x 1,8 - 1 szt.
- pos.2 "O-ring" 15,6 x 1,78 - 1 szt.
- pos.3 "O-ring" 18 x 2,65 - 1 szt.

PERFORMANCE CURVES at $v=41 \text{ mm}^2/\text{s}$ and a temp. 323 K

Curves of flow resistance



SYMBOL



HOW TO ORDER

Orders coded in the way showed below should be forwarded to the manufacturer.

3URHD6 - 12 / - M1 - - *

Series number
12 = **12**
(12 - 19) installation and
connection dimension unchanged

Control:
- external = **Z**
- internal = **W**

Kind of cavity
cavity M22 x 1,5 = **M1**

Pressure range
3 MPa = **30**
6 MPa = **60**
12 MPa = **120**
18 MPa = **180**

Sealing
oilproof = **no designation**
viton = **V**

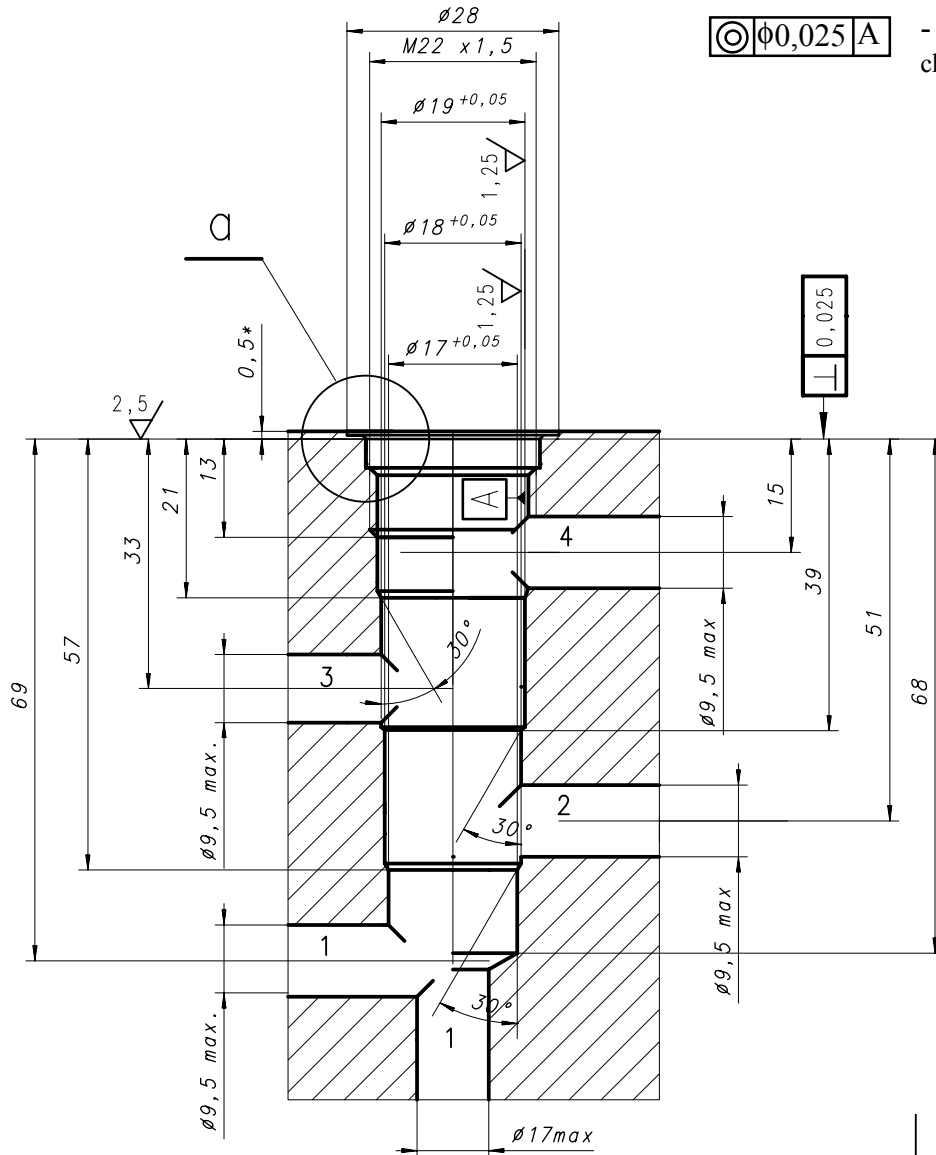
Further requirements to be added in text
(to agree with manufacturer)

Coding example:

3URHD6 - 12 / Z - M1 - 180 - V

DIMENSIONS OF CAVITY

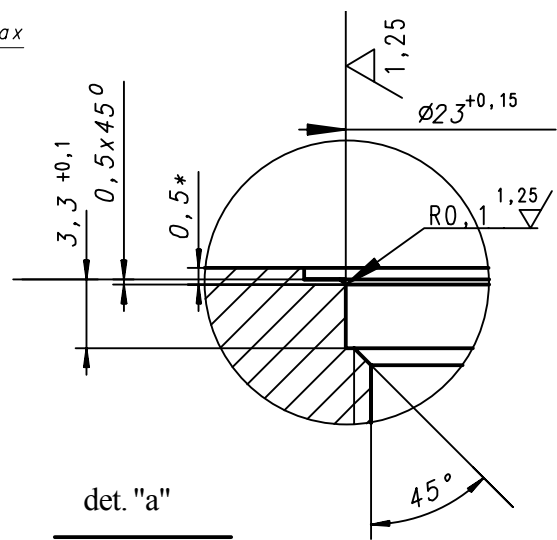
Cavity for type "Z"



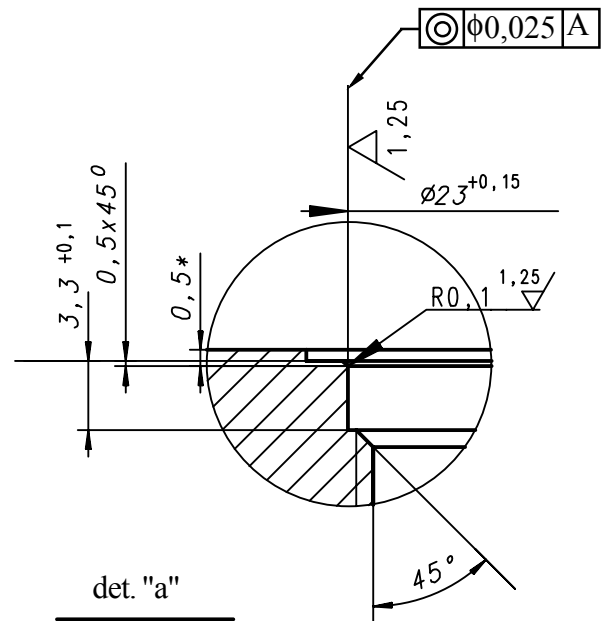
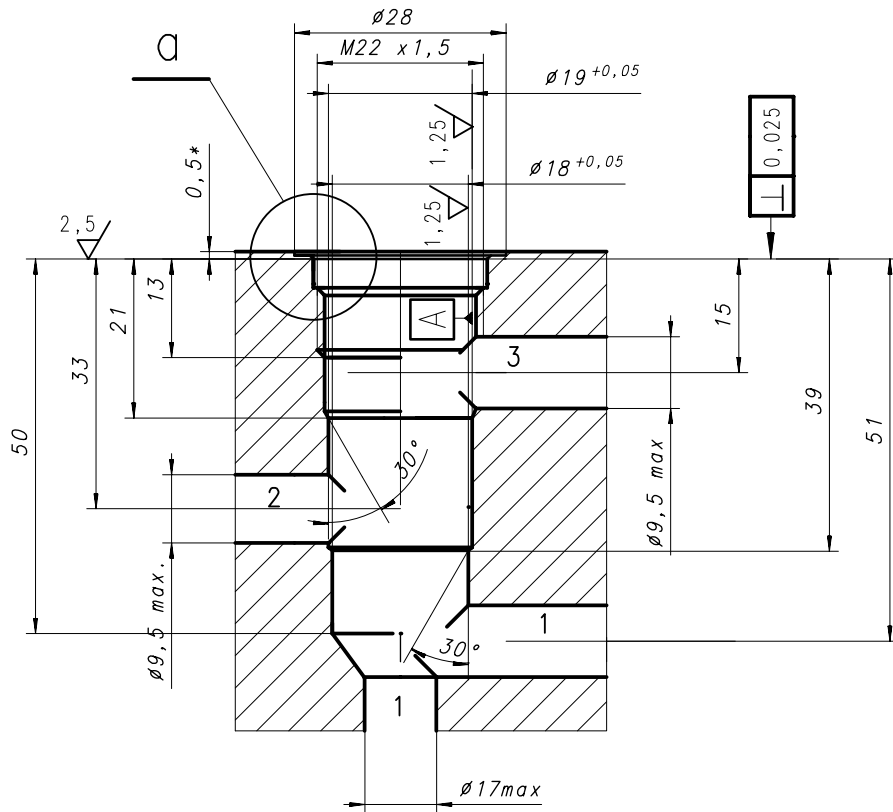
⊙ $\Phi 0,025$ A

- Refers to all diameters and chamfers of a main hole

* max 4,9
Tightening torque of valve cartridge 80 Nm



Cavity for type "W"



* max 4,9

Tightening torque of valve cartridge 80 Nm

PONAR WADOWICE S.A.
 ul. Wojska Polskiego 29
 34-100 Wadowice
 tel. 033/ 823 39 43, 823 30 41
 fax 033/ 873 48 80
 e-mail: ponar@ponar-wadowice.pl

