

Mounting subplates type BA

single, for ISO valves size 06 to 32

BA-* are single subplates with ISO mounting surface for installation of Atos valves and they are provided with threaded ports for connection to pressure, tank and users lines. They are characterized by low pressure drops and they are specific for directional, flow and pressure control valves ISO size 06, 10, 16, 20, 25 and 32;

Special subplates or manifolds for customized applications are available upon request.

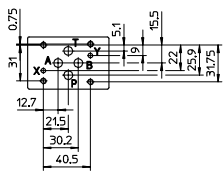
The set of screws for the valve installation on the BA subplate must be ordered separately, see the code SET SC-*** specified in the following sections.

1 TECHNICAL CHARACTERISTICS

Installation position	Any position
Operating pressure	Ports P, T, A, B = 350 bar see the technical table of the valves to be assembled
Ambient temperature	From -20°C to +70°C
Fluid	Hydraulic oil as per DIN 51524...535, for other fluids contact our technical office
Recommended viscosity	15 ÷ 100 mm ² /s - max allowed range: see the technical table of the valves to be assembled
Fluid contamination class	See the technical table of the valves to be assembled
Fluid temperature	See the technical table of the valves to be assembled

2 SINGLE STATION SUBPLATES FOR VALVES SIZE 06

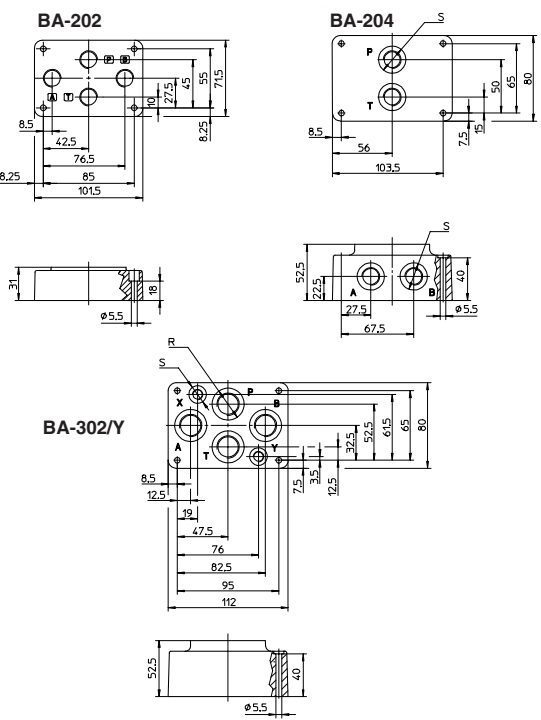
ISO 4401:2005
Mounting surface: 4401-03-03-0-05



Matching valves

DH-00	SET SC-DHZ
DH-01	SET SC-DHZ
DH-02	SET SC-DHZ
DH-04	SET SC-DHZ
DH-05	SET SC-DHZ
DH-08	SET SC-DHZ
DH-09	SET SC-DHZ
DH1	SET SC-DHZ
DHE	SET SC-DHZ
DHA	SET SC-DHZ
DHW	SET SC-DHZ
DHQ	SET SC-DHZ
DLOH, DLEH	SET SC-DHZ
QV-06	SET SC-QV
RZMO	SET SC-DHZ
RZGO	SET SC-DHZ
DHZO	SET SC-DHZ
DLHZO	SET SC-DHZ
QVHZO- <i>*</i> -06	SET SC-DHZ

Set of screw
(to be ordered separately)



VERSIONS

BA-202: basic version without ports X and Y; ports P, A, B, T (3/8") on the base.

BA-204: basic version without ports X and Y; ports P and T (3/8") on the base; ports A and B (3/8") on the side.

BA-302: basic version without ports X and Y; ports P, A, B, T (1/2") on the base.

BA-302/Y: version dimensionally identical to the corresponding basic version with the addition of X and Y ports (1/8") on the base (see figure on the left).
The /Y version is always used for DHZO and DLHZO valves when drain from port Y is required.

BA-*/N:** versions identical to the corresponding basic versions, but supplied without fixing bolts for type QVZO-***-06 valves (already equipped with fixing bolts).

X and Y ports are only present in the /Y versions.

Code	Ports (GAS) A,B,P,T (X-Y)	Ø S [mm]	Counterbore R [mm]	Mass [Kg]
BA-202	3/8"	-	-	1,2
BA-204	3/8"	-	25,5	16,5
BA-302 (Y)	1/2"	(1/8")	30	16,5