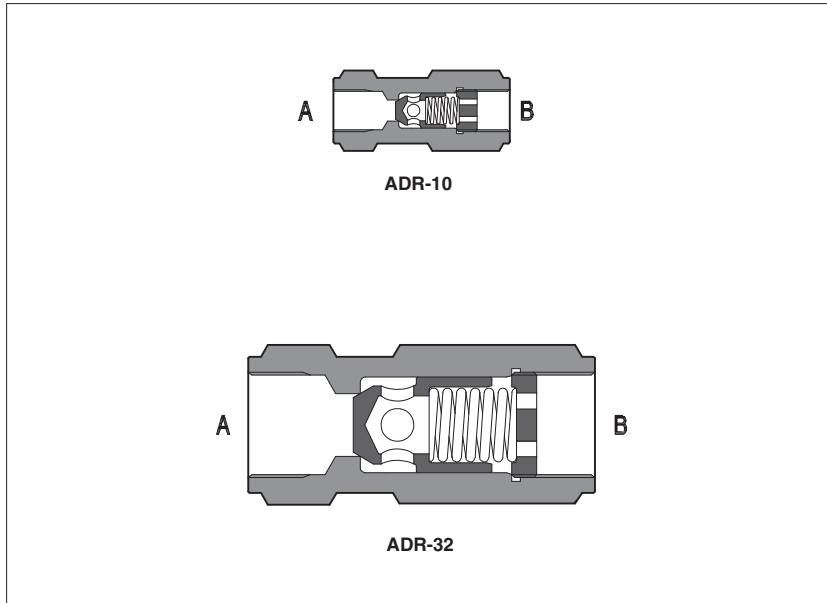


# Check valves type **ADR**

in-line mounting - from G 1/4" to G 1 1/4" threaded ports



ADR are direct operated check valves for in-line mounting available with port size from 1/4" to 1 1/4" GAS.

Cartridge designed to operate in hydraulic systems with hydraulic mineral oil or synthetic fluid having similar lubricating characteristics.

Flow up to **500 l/min**  
Pressure up to **400 bar**

## 1 MODEL CODE

<b>ADR</b>	-	<b>10</b>	/	<b>4</b>	/	<b>**</b>	<b>**</b>
Check valve in-line mounting						Series number	Fluid temperature: - = -20°C ÷ +80°C <b>BT</b> = -40°C ÷ +80°C
Size/threaded connections:				Cracking pressure:			
<b>06</b> = G 1/4"				- = 0,5 bar			
<b>10</b> = G 3/8"				<b>/2</b> = 2 bar			
<b>15</b> = G 1/2"				<b>/4</b> = 4 bar			
<b>20</b> = G 3/4"				<b>/8</b> = 8 bar			
<b>25</b> = G 1"							
<b>32</b> = G 1 1/4"							

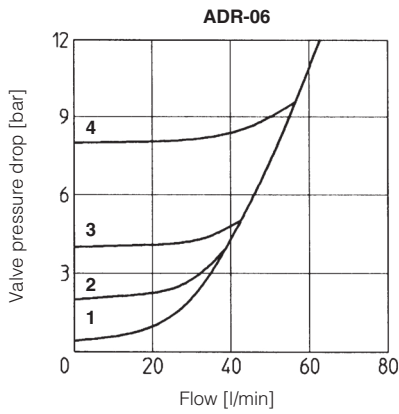
## 2 HYDRAULIC CHARACTERISTICS

Hydraulic symbol						
Valve model	<b>ADR-06</b>	<b>ADR-10</b>	<b>ADR-15</b>	<b>ADR-20</b>	<b>ADR-25</b>	<b>ADR-32</b>
Max recommended flow [l/min]	40	80	150	300	360	500
Max pressure [bar]	400			350		

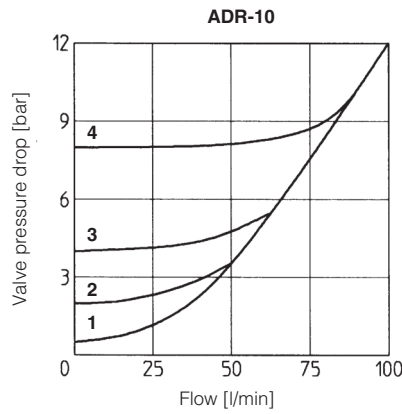
## 3 MAIN CHARACTERISTICS, SEALS AND FLUIDS - for other fluids not included in below table, consult our technical office

Assembly position	Any position
Compliance	RoHS Directive 2011/65/EU as last update by 2015/65/EU REACH Regulation (EC) n°1907/2006
Fluid	Hydraulic oil as per DIN 51524 ... 535;
Fluid temperature	Standard version = -20°C ÷ +80°C BT option = -40°C ÷ +80°C
Recommended viscosity	15 ÷ 100 mm²/s - max allowed range 2,8 ÷ 500 mm²/s
Max fluid contamination level	ISO4406 class 20/18/15 NAS1638 class 9, see also filter section at www.atos.com or KTF catalog
Flow direction	As shown in the symbol at section <b>2</b>
Rated flow	See diagrams Q/Δp at section <b>4</b>

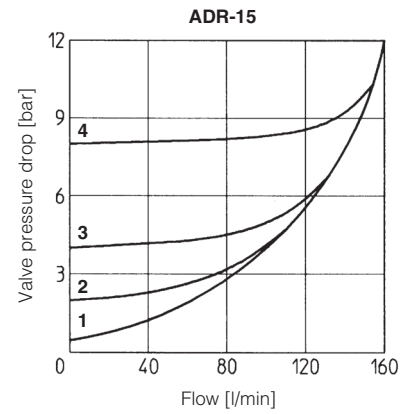
**4 FLOW VERSUS PRESSURE DROP DIAGRAMS** Based on based on mineral oil ISO VG 46 at 50°C



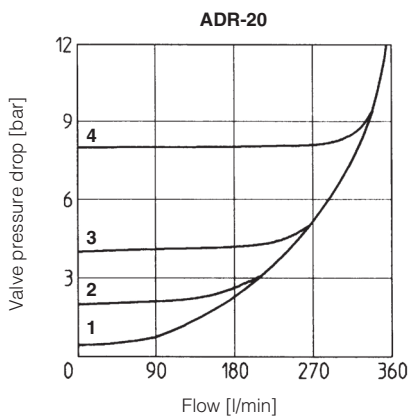
- 1 = ADR-06
- 2 = ADR-06/2
- 3 = ADR-06/4
- 4 = ADR-06/8



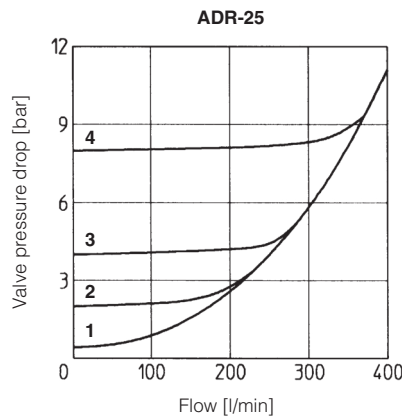
- 1 = ADR-10
- 2 = ADR-10/2
- 3 = ADR-10/4
- 4 = ADR-10/8



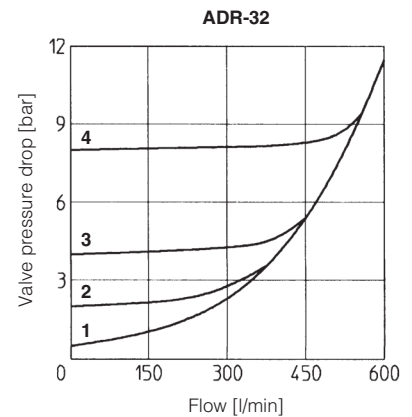
- 1 = ADR-15
- 2 = ADR-15/2
- 3 = ADR-15/4
- 4 = ADR-15/8



- 1 = ADR-20
- 2 = ADR-20/2
- 3 = ADR-20/4
- 4 = ADR-20/8

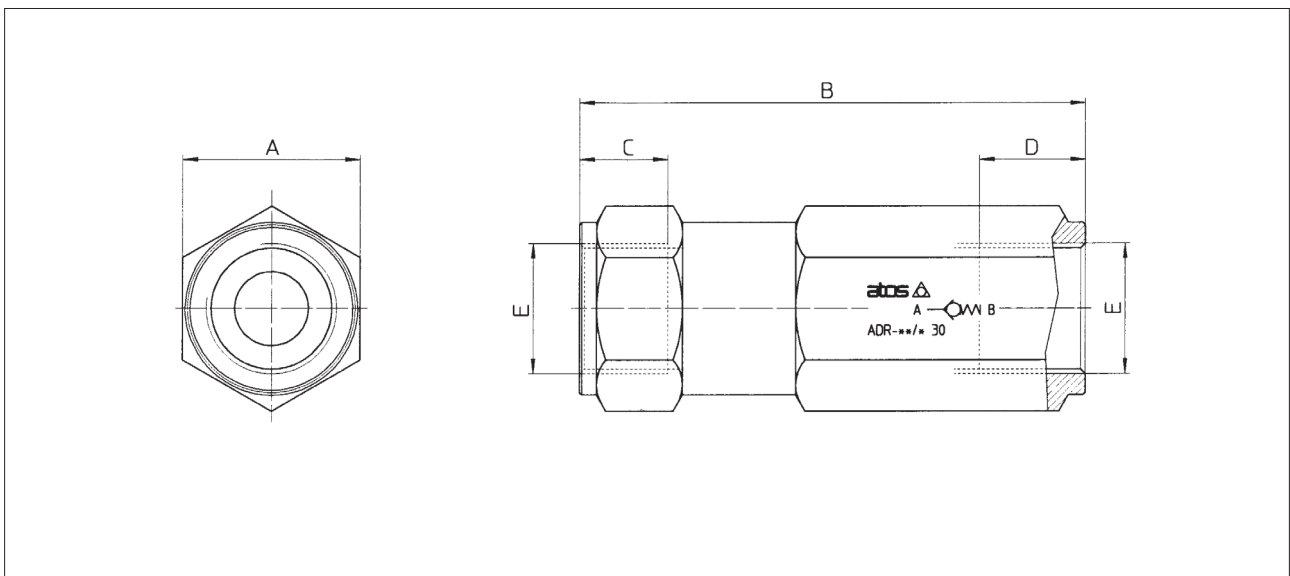


- 1 = ADR-25
- 2 = ADR-25/2
- 3 = ADR-25/4
- 4 = ADR-25/8



- 1 = ADR-32
- 2 = ADR-32/2
- 3 = ADR-32/4
- 4 = ADR-32/8

**5 DIMENSIONS [mm]**



Model	A	B	C	D	E	Mass [kg]
ADR - 06	22	67	12	13	G 1/4"	0,2
ADR - 10	27	70	12	13	G 3/8"	0,4
ADR - 15	32	82,5	14	17	G 1/2"	0,6
ADR - 20	36	102,5	16	21,5	G 3/4"	0,9
ADR - 25	46	120	18	24,5	G 1"	2,1
ADR - 32	55	137,5	20	23	G 1 1/4"	2,5