

BS110 & BS500

Bottle Samplers - For use with MP Filtri's portable APC





Contamination management

INDEX

	Page
① HYDRAULIC FLUIDS	12
② FLUIDS CONTAMINATION	12
③ EFFECTS OF CONTAMINATION ON HYDRAULIC COMPONENTS	12
④ MEASURING THE SOLID CONTAMINATION LEVEL	13
⑤ RECOMMENDED CONTAMINATION CLASSES	16
⑥ WATER IN HYDRAULIC AND LUBRICATING FLUIDS	17

1 HYDRAULIC FLUIDS

The fluid is the vector that transmits power, energy within an oleodynamic circuit. In addition to transmitting energy through the circuit, it also performs additional functions such as lubrication, protection and cooling of the surfaces.

The classification of fluids used in hydraulic systems is coded in many regulatory references, different Standards.

The most popular classification criterion divides them into the following families:

- MINERAL OILS

Commonly used oil deriving fluids.

- FIRE RESISTANT FLUIDS

Fluids with intrinsic characteristics of incombustibility or high flash point.

- SYNTHETIC FLUIDS

Modified chemical products to obtain specific optimized features.

- ECOLOGICAL FLUIDS

Synthetic or vegetable origin fluids with high biodegradability characteristics.

The choice of fluid for an hydraulic system must take into account several parameters.

These parameters can adversely affect the performance of an hydraulic system, causing delay in the controls, pump cavitation, excessive absorption, excessive temperature rise, efficiency reduction, increased drainage, wear, jam/block or air intake in the plant.

The main properties that characterize hydraulic fluids and affect their choice are:

- DYNAMIC VISCOSITY

It identifies the fluid's resistance to sliding due to the impact of the particles forming it.

- KINEMATIC VISCOSITY

It is a widespread formal dimension in the hydraulic field.

It is calculated with the ratio between the dynamic viscosity and the fluid density.

Kinematic viscosity varies with temperature and pressure variations.

- VISCOSITY INDEX

This value expresses the ability of a fluid to maintain viscosity when the temperature changes.

A high viscosity index indicates the fluid's ability to limit viscosity variations by varying the temperature.

- FILTERABILITY INDEX

It is the value that indicates the ability of a fluid to cross the filter materials. A low filterability index could cause premature clogging of the filter material.

- WORKING TEMPERATURE

Working temperature affects the fundamental characteristics of the fluid. As already seen, some fluid characteristics, such as cinematic viscosity, vary with the temperature variation.

When choosing a hydraulic oil, must therefore be taken into account of the environmental conditions in which the machine will operate.

- COMPRESSIBILITY MODULE

Every fluid subjected to a pressure contracts, increasing its density.

The compressibility module identifies the increase in pressure required to cause a corresponding increase in density.

- HYDROLYTIC STABILITY

It is the characteristic that prevents galvanic pairs that can cause wear in the plant/system.

- ANTIOXIDANT STABILITY AND WEAR PROTECTION

These features translate into the capacity of a hydraulic oil to avoid corrosion of metal elements inside the system.

- HEAT TRANSFER CAPACITY

It is the characteristic that indicates the capacity of hydraulic oil to exchange heat with the surfaces and then cool them.

2 FLUID CONTAMINATION

Whatever the nature and properties of fluids, they are inevitably subject to contamination. Fluid contamination can have two origins:

- INITIAL CONTAMINATION

Caused by the introduction of contaminated fluid into the circuit, or by incorrect storage, transport or transfer operations.

- PROGRESSIVE CONTAMINATION

Caused by factors related to the operation of the system, such as metal surface wear, sealing wear, oxidation or degradation of the fluid, the introduction of contaminants during maintenance, corrosion due to chemical or electrochemical action between fluid and components, cavitation. The contamination of hydraulic systems can be of different nature:

- SOLID CONTAMINATION

For example rust, slag, metal particles, fibers, rubber particles, paint particles or additives

- LIQUID CONTAMINATION

For example, the presence of water due to condensation or external infiltration or acids

- GASEOUS CONTAMINATION

For example, the presence of air due to inadequate oil level in the tank, drainage in suction ducts, incorrect sizing of tubes or tanks.

3 EFFECTS OF CONTAMINATION ON HYDRAULIC COMPONENTS

Solid contamination is recognized as the main cause of malfunction, failure and early degradation in hydraulic systems. It is impossible to delete it completely, but it can be effectively controlled by appropriate devices.

CONTAMINATION IN PRESENCE OF LARGE TOLERANCES



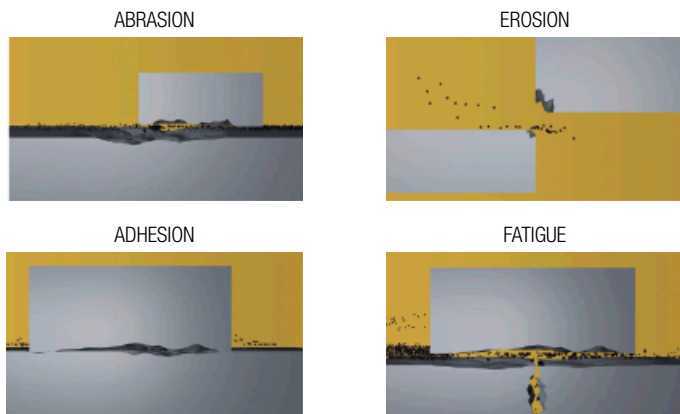
CONTAMINATION IN PRESENCE OF NARROW TOLERANCES



Solid contamination mainly causes surface damage and component wear.

- SURFACE EROSION
Cause of leakage through mechanical seals, reduction of system performance, variation in adjustment of control components, failures.
- ADHESION OF MOVING PARTS
Cause of failure due to lack of lubrication.
- DAMAGES DUE TO FATIGUE
Cause of breakdowns and components breakdown.

- MODIFICATION OF FLUID PROPERTIES
(COMPRESSIBILITY MODULE, DENSITY, VISCOSITY)
Cause of system's reduction of efficiency and of control.
It is easy to understand how a system without proper contamination management is subject to higher costs than a system that is provided.
- MAINTENANCE
Maintenance activities, spare parts, machine stop costs
- ENERGY AND EFFICIENCY
Efficiency and performance reduction due to friction, drainage, cavitation.



Liquid contamination mainly results in decay of lubrication performance and protection of fluid surfaces.

DISSOLVED WATER

- INCREASING FLUID ACIDITY
Cause of surface corrosion and premature fluid oxidation
- GALVANIC COUPLE AT HIGH TEMPERATURES
Cause of corrosion

FREE WATER - ADDITIONAL EFFECTS

- DECAY OF LUBRICANT PERFORMANCE
Cause of rust and sludge formation, metal corrosion and increased solid contamination
- BATTERY COLONY CREATION
Cause of worsening in the filterability feature
- ICE CREATION AT LOW TEMPERATURES
Cause damage to the surface
- ADDITIVE DEPLETION
Free water retains polar additives

Gaseous contamination mainly results in decay of system performance.

- CUSHION SUSPENSION
Cause of increased noise and cavitation.
- FLUID OXIDATION
Cause of corrosion acceleration of metal parts.

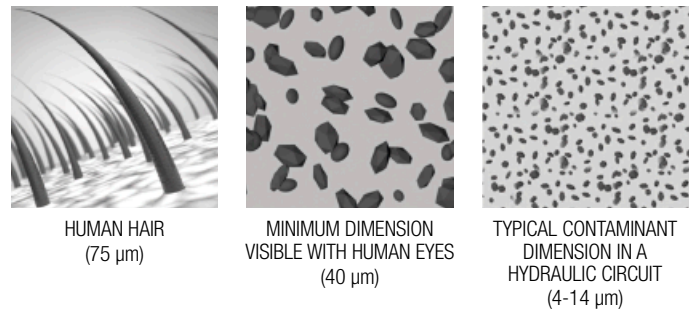
4 MEASURING THE SOLID CONTAMINATION LEVEL

The level of contamination of a system identifies the amount of contaminant contained in a fluid.

This parameter refers to a unit volume of fluid.

The level of contamination may be different at different points in the system. From the information in the previous paragraphs it is also apparent that the level of contamination is heavily influenced by the working conditions of the system, by its working years and by the environmental conditions.

What is the size of the contaminating particles that we must handle in our hydraulic circuit?



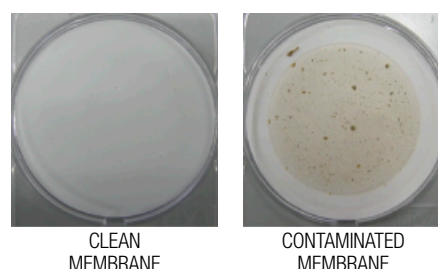
Contamination level analysis is significant only if performed with a uniform and repeatable method, conducted with standard test methods and suitably calibrated equipment.

To this end, ISO has issued a set of standards that allow tests to be conducted and express the measured values in the following ways.

- GRAVIMETRIC LEVEL - ISO 4405

The level of contamination is defined by checking the weight of particles collected by a laboratory membrane. The membrane must be cleaned, dried and desiccated, with fluid and conditions defined by the Standard.

The volume of fluid is filtered through the membrane by using a suitable suction system. The weight of the contaminant is determined by checking the weight of the membrane before and after the fluid filtration.



CONTAMINATION MANAGEMENT

- CUMULATIVE DISTRIBUTION OF THE PARTICLES SIZE - ISO 4406

The level of contamination is defined by counting the number of particles of certain dimensions per unit of volume of fluid. Measurement is performed by Automatic Particle Counters (APC).

Following the count, the contamination classes are determined, corresponding to the number of particles detected in the unit of fluid.

The most common classification methods follow ISO 4406 and SAE AS 4059 (Aerospace Sector) regulations.

NAS 1638 is still used although obsolete.

Classification example according to ISO 4406

The International Standards Organisation standard ISO 4406 is the preferred method of quoting the number of solid contaminant particles in a sample.

The code is constructed from the combination of three scale numbers selected from the following table.

The first number represents the number of particles that are larger than $4 \mu\text{m}_{(c)}$.

The second number represents the number of particles larger than $6 \mu\text{m}_{(c)}$.

The third scale number represents the number of particles in a millilitre sample of the fluid that are larger than $14 \mu\text{m}_{(c)}$.

ISO 4406 - Allocation of Scale Numbers

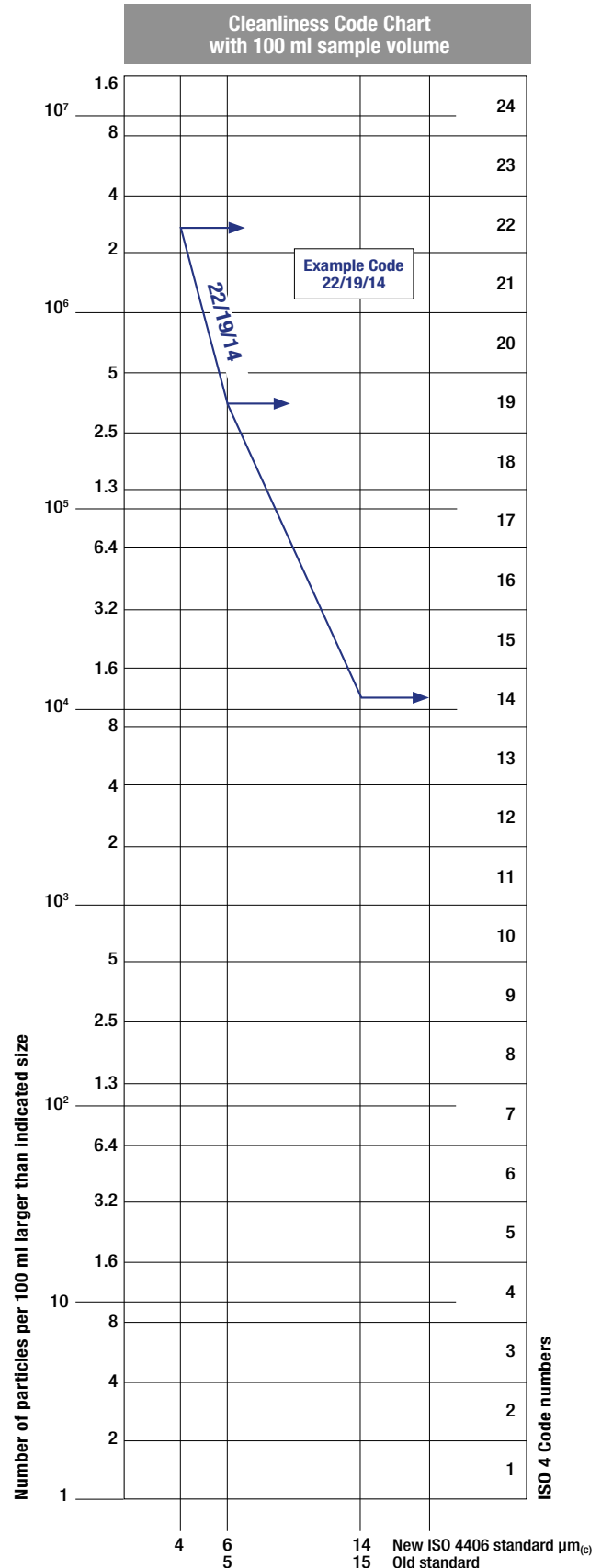
Class	Number of particles per ml	
	Over	Up to
28	1 300 000	2 500 000
27	640 000	1 300 000
26	320 000	640 000
25	160 000	320 000
24	80 000	160 000
23	40 000	80 000
22	20 000	40 000
21	10 000	20 000
20	5 000	10 000
19	2 500	5 000
18	1 300	2 500
17	640	1 300
16	320	640
15	160	320
14	80	160
13	40	80
12	20	40
11	10	20
10	5	10
9	2.5	5
8	1.3	2.5
7	0.64	1.3
6	0.32	0.64
5	0.16	0.32
4	0.08	0.16
3	0.04	0.08
2	0.02	0.04
1	0.01	0.02
0	0	0.01

> $4 \mu\text{m}_{(c)}$ = 350 particles
> $6 \mu\text{m}_{(c)}$ = 100 particles
> $14 \mu\text{m}_{(c)}$ = 25 particles
16 / 14 / 12

ISO 4406 Cleanliness Code System

Microscope counting examines the particles differently to APCs and the code is given with two scale numbers only.

These are at $5 \mu\text{m}$ and $15 \mu\text{m}$ equivalent to the $6 \mu\text{m}_{(c)}$ and $14 \mu\text{m}_{(c)}$ of APCs.



- CUMULATIVE DISTRIBUTION OF THE PARTICLES SIZE - SAE AS 4059-1 and SAE AS 4059-2

Classification example according to SAE AS4059 - Rev. E and SAE AS4059-2 - Rev. F

The code, prepared for the aerospace industry, is based on the size, quantity, and particle spacing in a 100 ml fluid sample. The contamination classes are defined by numeric codes, the size of the contaminant is identified by letters (A-F).

SAE AS4059 - REV. E

It can be made a differential measurement (Table 1) or a cumulative measurement (Table 2)

Table 1 - Class for differential measurement

Class	Dimension of contaminant Maximum Contamination Limits per 100 ml				
	6-14 $\mu\text{m}_{(c)}$	14-21 $\mu\text{m}_{(c)}$	21-38 $\mu\text{m}_{(c)}$	38-70 $\mu\text{m}_{(c)}$	>70 $\mu\text{m}_{(c)}$
00	125	22	4	1	0
0	250	44	8	2	0
1	500	89	16	3	1
2	1 000	178	32	6	1
3	2 000	356	63	11	2
4	4 000	712	126	22	4
5	8 000	1 425	253	45	8
6	16 000	2 850	506	90	16
7	32 000	5 700	1 012	180	32
8	64 000	11 400	2 025	360	64
9	128 000	22 800	4 050	720	128
10	256 000	45 600	8 100	1 440	256
11	512 000	91 200	16 200	2 880	512
12	1 024 000	182 400	32 400	5 760	1 024

6 - 14 $\mu\text{m}_{(c)}$ = 15 000 particles
14 - 21 $\mu\text{m}_{(c)}$ = 2 200 particles
21 - 38 $\mu\text{m}_{(c)}$ = 200 particles
38 - 70 $\mu\text{m}_{(c)}$ = 35 particles
> 70 $\mu\text{m}_{(c)}$ = 3 particles
SAE AS4059 REV E - Class 6

Table 2 - Class for cumulative measurement

Class	Dimension of contaminant Maximum Contamination Limits per 100 ml					
	>4 $\mu\text{m}_{(c)}$	>6 $\mu\text{m}_{(c)}$	>14 $\mu\text{m}_{(c)}$	>21 $\mu\text{m}_{(c)}$	>38 $\mu\text{m}_{(c)}$	>70 $\mu\text{m}_{(c)}$
000	195	76	14	3	1	0
00	390	152	27	5	1	0
0	780	304	54	10	2	0
1	1 560	609	109	20	4	1
2	3 120	1 217	217	39	7	1
3	6 250	2 432	432	76	13	2
4	12 500	4 864	864	152	26	4
5	25 000	9 731	1 731	306	53	8
6	50 000	19 462	3 462	612	106	16
7	100 000	38 924	6 924	1 224	212	32
8	200 000	77 849	13 849	2 449	424	64
9	400 000	155 698	27 698	4 898	848	128
10	800 000	311 396	55 396	9 796	1 696	256
11	1 600 000	622 792	110 792	19 592	3 392	512
12	3 200 000	1 245 584	221 584	39 184	6 784	1 024

> 4 $\mu\text{m}_{(c)}$ = 45 000 particles
> 6 $\mu\text{m}_{(c)}$ = 15 000 particles
> 14 $\mu\text{m}_{(c)}$ = 1 500 particles
> 21 $\mu\text{m}_{(c)}$ = 250 particles
> 38 $\mu\text{m}_{(c)}$ = 15 particles
> 70 $\mu\text{m}_{(c)}$ = 3 particle
SAE AS4059 REV E 6A/6B/5C/5D/4E/2F

The information reproduced on this page is a brief extract from SAE AS4059 Rev.E, revised in May 2005. For further details and explanations refer to the full Standard.

SAE AS4059 - REV. F

It can be made a differential measurement (Table 1) or a cumulative measurement (Table 2)

Table 1 - Class for differential measurement

Class	Dimension of contaminant Maximum Contamination Limits per 100 ml				
	5-15 μm	15-25 μm	25-50 μm	50-100 μm	>100 μm
	6-14 $\mu\text{m}_{(c)}$	14-21 $\mu\text{m}_{(c)}$	21-38 $\mu\text{m}_{(c)}$	38-70 $\mu\text{m}_{(c)}$	>70 $\mu\text{m}_{(c)}$
00	125	22	4	1	0
0	250	44	8	2	0
1	500	89	16	3	1
2	1 000	178	32	6	1
3	2 000	356	63	11	2
4	4 000	712	126	22	4
5	8 000	1 425	253	45	8
6	16 000	2 850	506	90	16
7	32 000	5 700	1 012	180	32
8	64 000	11 400	2 025	360	64
9	128 000	22 800	4 050	720	128
10	256 000	45 600	8 100	1 440	256
11	512 000	91 200	16 200	2 880	512
12	1 024 000	182 400	32 400	5 760	1 024

6 - 14 $\mu\text{m}_{(c)}$ = 15 000 particles
14 - 21 $\mu\text{m}_{(c)}$ = 2 200 particles
21 - 38 $\mu\text{m}_{(c)}$ = 200 particles
38 - 70 $\mu\text{m}_{(c)}$ = 35 particles
> 70 $\mu\text{m}_{(c)}$ = 3 particles
SAE AS4059 REV F - Class 6

- (1) Size range, microscope particle counts, based on longest dimension as measured per AS598 or ISO 4407.
- (2) Size range, APC calibrated per ISO 11171 or an optical or electron microscope with image analysis software, based on projected area equivalent diameter.
- (3) Contamination classes and particle count limits are identical to NAS 1638.

Table 2 - Class for cumulative measurement

Class	Dimension of contaminant Maximum Contamination Limits per 100 ml					
	>1 μm	>5 μm	>15 μm	>25 μm	>50 μm	>100 μm
	>4 $\mu\text{m}_{(c)}$	>6 $\mu\text{m}_{(c)}$	>14 $\mu\text{m}_{(c)}$	>21 $\mu\text{m}_{(c)}$	>38 $\mu\text{m}_{(c)}$	>70 $\mu\text{m}_{(c)}$
000	195	76	14	3	1	0
00	390	152	27	5	1	0
0	780	304	54	10	2	0
1	1 560	609	109	20	4	1
2	3 120	1 217	217	39	7	1
3	6 250	2 432	432	76	13	2
4	12 500	4 864	864	152	26	4
5	25 000	9 731	1 731	306	53	8
6	50 000	19 462	3 462	612	106	16
7	100 000	38 924	6 924	1 224	212	32
8	200 000	77 849	13 849	2 449	424	64
9	400 000	155 698	27 698	4 898	848	128
10	800 000	311 396	55 396	9 796	1 696	256
11	1 600 000	622 792	110 792	19 592	3 392	512
12	3 200 000	1 245 584	221 584	39 184	6 784	1 024

> 4 $\mu\text{m}_{(c)}$ = 45 000 particles
> 6 $\mu\text{m}_{(c)}$ = 15 000 particles
> 14 $\mu\text{m}_{(c)}$ = 1 500 particles
> 21 $\mu\text{m}_{(c)}$ = 250 particles
> 38 $\mu\text{m}_{(c)}$ = 15 particles
> 70 $\mu\text{m}_{(c)}$ = 3 particle
SAE AS4059 REV F cpc* Class 6 G/6/5/5/4/2

* cumulative particle count

- (1) Size range, optical microscope, based on longest dimension as measured per AS598 or ISO 4407.
- (2) Size range, APC calibrated per ISO 11171 or an optical or electron microscope with image analysis software, based on projected area equivalent diameter.

CONTAMINATION MANAGEMENT

- CLASSES OF CONTAMINATION ACCORDING TO NAS 1638 (January 1964)

The NAS system was originally developed in 1964 to define contamination classes for the contamination contained within aircraft components.

The application of this standard was extended to industrial hydraulic systems simply because nothing else existed at the time.

The coding system defines the maximum numbers permitted of 100 ml volume at various size intervals (differential counts) rather than using cumulative counts as in ISO 4406. Although there is no guidance given in the standard on how to quote the levels, most industrial users quote a single code which is the highest recorded in all sizes and this convention is used on MP Filtri APC's.

The contamination classes are defined by a number (from 00 to 12) which indicates the maximum number of particles per 100 ml, counted on a differential basis, in a given size bracket.

Size Range Classes (in microns)

Maximum Contamination Limits per 100 ml					
Class	5-15	15-25	25-50	50-100	>100
00	125	22	4	1	0
0	250	44	8	2	0
1	500	89	16	3	1
2	1 000	178	32	6	1
3	2 000	356	63	11	2
4	4 000	712	126	22	4
5	8 000	1 425	253	45	8
6	16 000	2 850	506	90	16
7	32 000	5 700	1 012	180	32
8	64 000	11 400	2 025	360	64
9	128 000	22 800	4 050	720	128
10	256 000	45 600	8 100	1 440	256
11	512 000	91 200	16 200	2 880	512
12	1 024 000	182 400	32 400	5 760	1 024

5 - 15 µm = 42 000 particles
15 - 25 µm = 2 200 particles
25 - 50 µm = 150 particles
50 - 100 µm = 18 particles
> 100 µm = 3 particles
Class NAS 8

- CUMULATIVE DISTRIBUTION OF THE PARTICLES SIZE - ISO 4407

The level of contamination is defined by counting the number of particles collected by a laboratory membrane per unit of fluid volume. The measurement is done by a microscope. The membrane must be cleaned, dried and desiccated, with fluid and conditions defined by the Standard. The fluid volume is filtered through the membrane, using a suitable suction system.

The level of contamination is identified by dividing the membrane into a predefined number of areas and by counting the contaminant particles using a suitable laboratory microscope.

MICROSCOPE CONTROL AND MEASUREMENT



Example figure 1 and 2

ISO 4406
SAE AS4059E Table 1
NAS 1638
SAE AS4059E Table 2

COMPARISON PHOTOGRAPH'S
1 graduation = 10µm

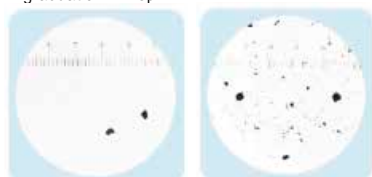


Fig. 1

Fig. 2

Class 16/14/11
Class 5
Class 5
Class 6A/5B/5C
Class 22/20/17
Class 11
Class 11
Class 12A/11B/11C

For other comparison photographs for contamination classes see the "Fluid Condition and Filtration Handbook".

- CLEANLINESS CODE COMPARISON

Although ISO 4406 standard is being used extensively within the hydraulics industry other standards are occasionally required and a comparison may be requested. The table below gives a very general comparison but often no direct comparison is possible due to the different classes and sizes involved.

ISO 4406	SAE AS4059 Table 2	SAE AS4059 Table 1	NAS 1638
> 4 µm _(c) 6 µm _(c) 14 µm _(c)	> 4 µm _(c) 6 µm _(c) 14 µm _(c)	4-6 6-14 14-21 21-38 38-70 >70	5-15 15-25 25-50 50-100 >100
23 / 21 / 18	13A / 12B / 12C	12	12
22 / 20 / 17	12A / 11B / 11C	11	11
21 / 19 / 16	11A / 10B / 10C	10	10
20 / 18 / 15	10A / 9B / 9C	9	9
19 / 17 / 14	9A / 8B / 8C	8	8
18 / 16 / 13	8A / 7B / 7C	7	7
17 / 15 / 12	7A / 6B / 6C	6	6
16 / 14 / 11	6A / 5B / 5C	5	5
15 / 13 / 10	5A / 4B / 4C	4	4
14 / 12 / 09	4A / 3B / 3C	3	3

5 RECOMMENDED CONTAMINATION CLASSES

The table below, gives a selection of maximum contamination levels that are typically issued by component manufacturer.

These relate to the use of the correct viscosity mineral fluid. An even cleaner level may be needed if the operation

is severe, such as high frequency fluctuations in loading, high temperature or high failure risk.

Piston pumps with fixed flow rate	•					
Piston pumps with variable flow rate			•			
Vane pumps with fixed flow rate		•				
Vane pumps with variable flow			•			
Engines	•					
Hydraulic cylinders	•					
Actuators					•	
Test benches						•
Check valve	•					
Directional valves	•					
Flow regulating valves	•					
Proportional valves				•		
Servo-valves					•	
Flat bearings			•			
Ball bearings				•		
ISO 4406 CODE	20/18/15	19/17/14	18/16/13	17/15/12	16/14/11	15/13/10
Recommended filtration β _{x(c)} ≥1.000	β _{20(c)} >1000	β _{15(c)} >1000	β _{10(c)} >1000	β _{7(c)} >1000	β _{7(c)} >1000	β _{5(c)} >1000

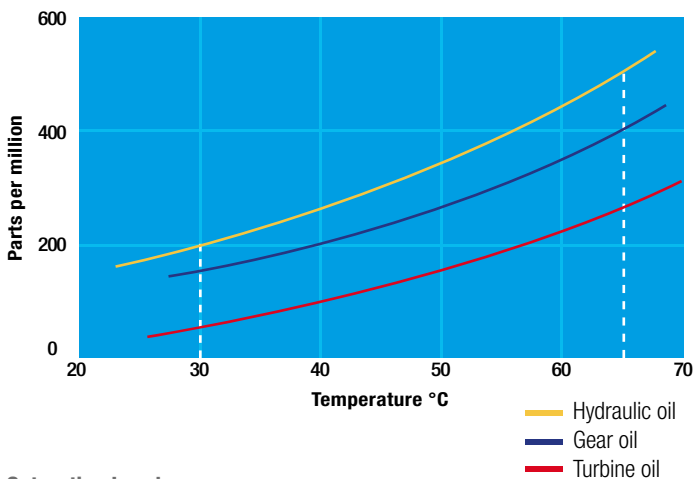
6 WATER IN HYDRAULIC AND LUBRICATING FLUIDS

Water Content

In mineral oils and non aqueous resistant fluids water is undesirable. Mineral oil usually has a water content of 50-300 ppm (@40°C) which it can support without adverse consequences.

Once the water content exceeds about 300 ppm the oil starts to appear hazy. Above this level there is a danger of free water accumulating in the system in areas of low flow. This can lead to corrosion and accelerated wear.

Similarly, fire resistant fluids have a natural water which may be different to mineral oil.



Saturation Levels

Since the effects of free (also emulsified) water is more harmful than those of dissolved water, water levels should remain well below the saturation point.

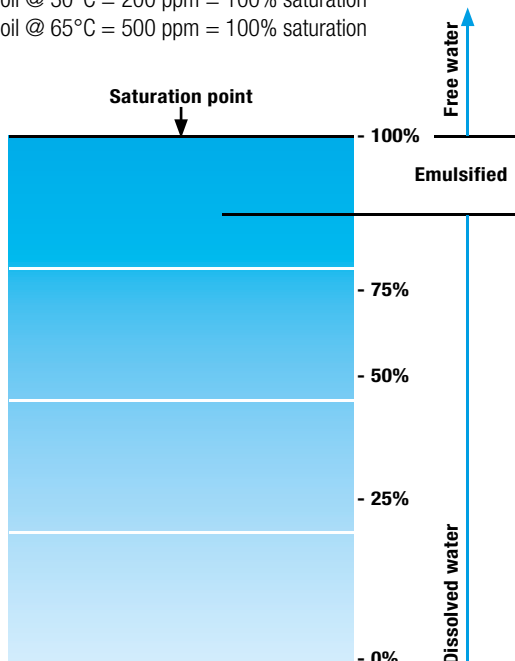
However, even water in solution can cause damage and therefore every reasonable effort should be made to keep saturation levels as low as possible. There is no such thing as too little water. As a guideline, we recommend maintaining saturation levels below 50% in all equipment.

TYPICAL WATER SATURATION LEVEL FOR NEW OILS

Examples:

Hydraulic oil @ 30°C = 200 ppm = 100% saturation

Hydraulic oil @ 65°C = 500 ppm = 100% saturation



W - Water and Temperature Sensing

“W” option, in MP Filtri Contamination Monitoring Products, indicates water content as a percentage of saturation and oil temperature in degrees centigrade. 100% RH corresponds to the point at which free water can exist in the fluid. i.e. the fluid is no longer able to hold the water in a dissolved solution.

The sensor can help provide early indication of costly failure due to free water, including but not exclusive to corrosion, metal surface fatigue e.g. bearing failure, reduced lubrication & load carrying characteristics.

Different oils have different saturation levels and therefore RH (relative humidity) % is the best and most practical measurement.

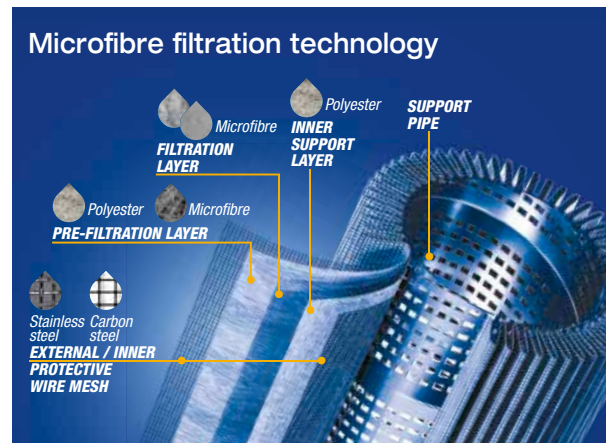
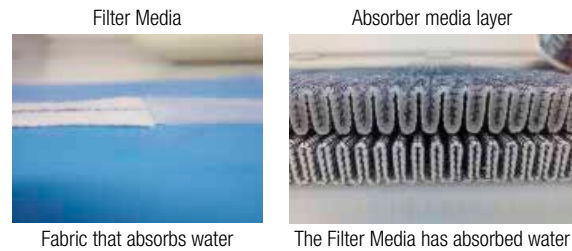
Water absorber

Water is present everywhere, during storage, handling and servicing.

MP Filtri filter elements feature an absorbent media which protects hydraulic systems from both particulate and water contamination.

MP Filtri’s filter element technology is available with inorganic microfiber media with a filtration rating 25 µm (therefore identified with media designation WA025, providing absolute filtration of solid particles to $\beta_{X(c)} = 1000$).

Absorbent media is made by water absorbent fibres which increase in size during the absorption process. Free water is thus bonded to the filter media and completely removed from the system (it cannot even be squeezed out).



By removing water from your fluid power system, you can prevent such key problems as:

- corrosion (metal etching)
- loss of lubricant power
- accelerated abrasive wear in hydraulic components
- valve-locking
- bearing fatigue
- viscosity variance (reduction in lubricating properties)
- additive precipitation and oil oxidation
- increase in acidity level
- increased electrical conductivity (loss of dielectric strength)
- slow/weak response of control systems

Product availability - UFM Series:

UFM 041 - UFM 051 - UFM 091 - UFM 181 - UFM 919

Description

Contamination Monitoring Products

Bottle Samplers

The 110 ml bottle samplers are suitable for off-line and laboratory applications where fluid sampling at point of use is inaccessible or impractical.

A fluid de-aeration facility comes as standard.

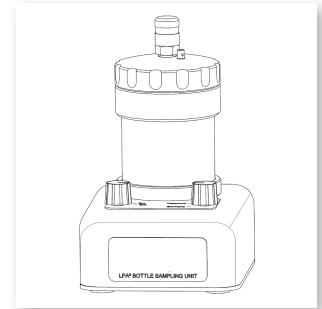
> Features & Benefits

- Vacuum feature for de-aeration of fluids
- Compatible with all portable MP Filtri Contamination Monitoring Products
- Strong Laboratory aesthetic
- Transparent outer for visual indication
- Full accessories kit included
- Includes carry case (BS110)
- Contact MP Filtri for use with fluids other than those stated

Scope of Supply

- 1 x 110 ml Bottle Sampling unit
- 1 x Pressure cap
- 1 x Vacuum cap
- 1 x M16x2 microbore pressure hose, 600 mm long
- 1 x 1L waste receptacle
- 1 x 12V, 2A power adapter c/w UK/EU/US/AUS/CN heads
- 1 x pack of disposable dip tubes
- 1 x hand pump
- 1 x length of hose for hand pump
- 3 x 100 ml clear plastic bottles
- 1 x Hard copy of product user guide
- 1 x Digital copy of user guides/software/drivers
- 2 x Thermal printer paper
- 1 x Carry case

See Accessories at page 93



Left facing view



Front facing view



Open case
Front facing view

Technical data

Max. Chamber Pressure

2.5 bar / 36.3 psi only

Min. Chamber Pressure

0.61 bar / 8.85 psi to 0.81 bar / 11.75 psi

For use with....

MP Filtri Portable Contamination Monitoring Products

Supply Voltage

12V, 2 amp

Wetted Parts (Internal)

Aluminium HE30, 303 Stainless Steel, Polyurethane, FPM, Acrylic

On/Off & Stop/Start signals

Switch (Manual Operation)

Hydraulic Hoses (External)

600 mm x 2 mm ID M16x2 microbore pressure hose

Max Flow Rate (ml/min)

Viscosity dependant

Min Flow Rate (ml/min)

Viscosity dependant

Visual Pressure Indicator

No

Weight / Dimensions

7 kg, Height 212 mm, Depth 163 mm, Width 130 mm

Pressure Gauge

No

Pressure Ranges

2.0 bar / 29 psi options

IP Rating

IP50

Fluid Compatibility / Corrosion Resistance

Industrial Hydrocarbon based fluids (typical)

Min Outlet Pressure

1013 bar / 14.7 psi

Max. Fluid Temperature (Continuous)

80 °C / 176 °F

Min Fluid Temperature

Viscosity dependant

Max. Viscosity

400 cSt

Min. Viscosity

1 cSt

Max outlet pressure

2.0 bar / 29 psi options

Min. Continuous Ambient Temperature

10 °C / 50 °F

Max. Continuous Ambient Temperature

55 °C / 131 °F

Power Consumption

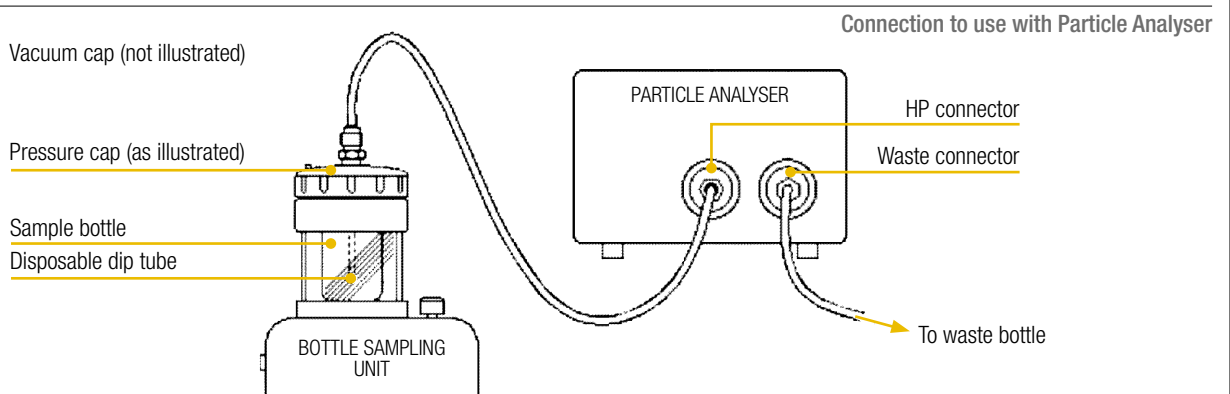
24W

Warranty

12 months

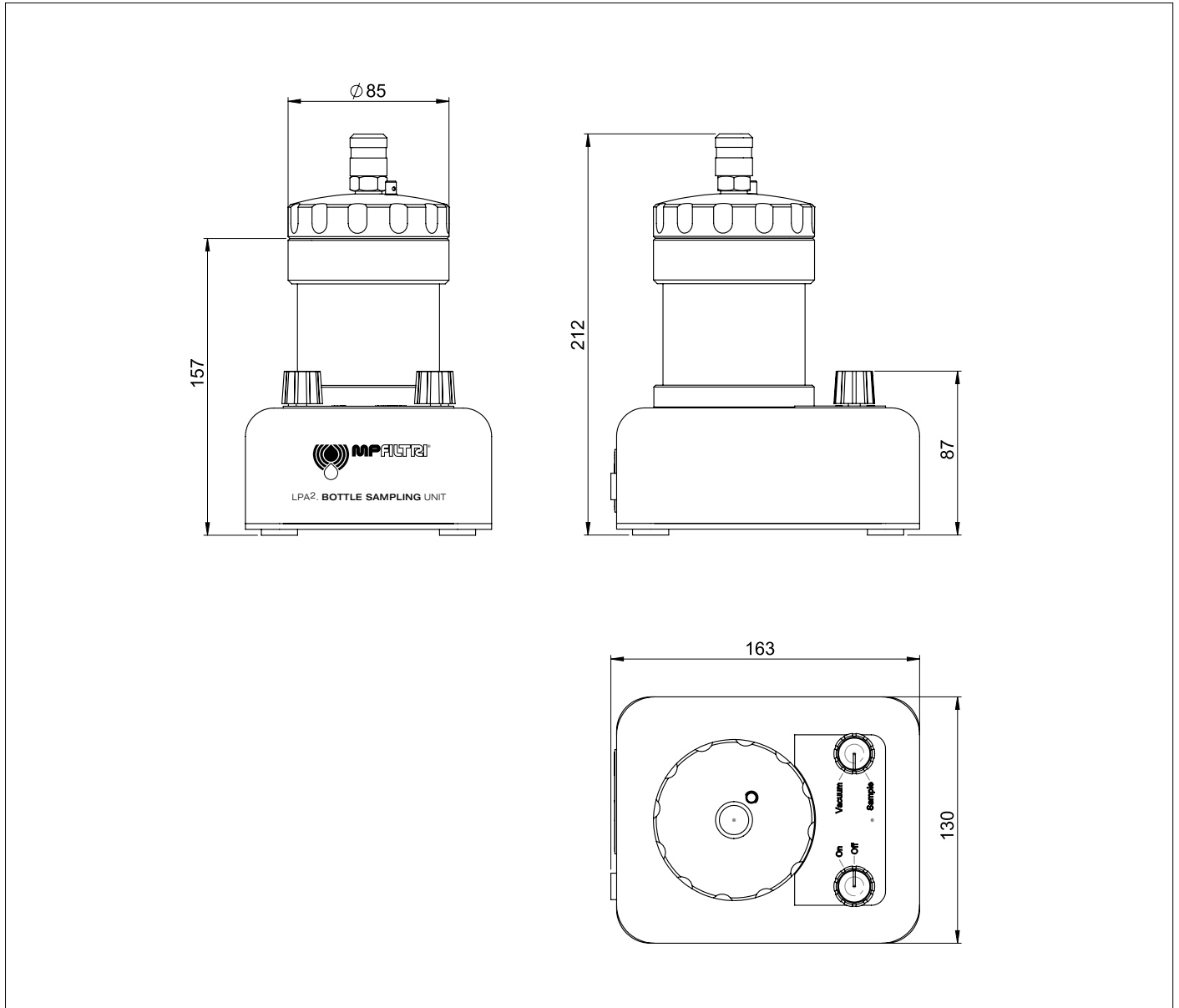
Installation

Indoor Use / Laboratory Use



BS110 Bottle Samplers

Dimensions



Designation & Ordering code

BOTTLE SAMPLER BS110				
Series	BS110	110 ml fluid volume	Configuration example:	BS110 M 0 0
Fluid compatibility	M	Mineral oil and synthetic fluids		
Pressure rating	0	2.0 bar		
Pressure cylinder option	0	Acrylic cylinder assembly		

Description

Contamination Monitoring Products

Bottle Samplers

The 500 ml bottle samplers are suitable for off-line and laboratory applications where fluid sampling at point of use is inaccessible or impractical.

A fluid de-aeration facility comes as standard.

> Features & Benefits

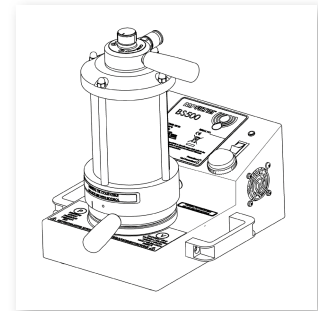
- Vacuum feature for de-aeration of fluids
- Compatible with all portable MP Filtri Contamination Monitoring Products
- Strong Laboratory aesthetic
- Transparent outer for visual indication
- Full accessories kit included
- Contact MP Filtri for use with fluids other than those stated

Scope of Supply

- 1 x 500 ml Bottle Sampling base unit (*)
- 1 x Top cap, pressure/vacuum chamber (*)
- 1 x M16x2 microbore pressure hose, 600 mm long
- 1 x Power adapter
- 1 x UK/EU/US/AUS/CN power lead*
- 3 x 210 ml clear glass bottles
- 2 x 500 ml clear glass bottles
- 1 x Digital copy of user guides/software/drivers

(*) Specific model will be as per ordered item

See Accessories at page 93



Front / Left facing view



Front / Right facing view



Back / Right facing view



Back / Left facing view

Technical data

Max. Chamber Pressure

2.5 bar / 36.3 psi (standard), 4.5 bar / 65.3 psi (high pressure)

Min. Chamber Pressure

0.61 bar / 8.85 psi to 0.81 bar / 11.75 psi

For use with....

MP Filtri Portable Contamination Monitoring Products

Supply Voltage

12V, 5 amp

Wetted Parts (Internal)

Aluminium 6082 T6, 303 Stainless Steel, 316 Stainless Steel.
Seal & Cylinder material optional

On/Off & Stop/Start signals

Switch (Manual Operation)

Hydraulic Hoses (External)

600 mm x 2 mm ID M16x2 microbore pressure hose

Max Flow Rate (ml/min)

Viscosity dependant

Min Flow Rate (ml/min)

Viscosity dependant

Visual Pressure Indicator

Yes

Weight / Dimensions

9 kg, Height 333 mm, Depth 341 mm, Width 264 mm

Pressure Gauge

Yes (only on 4.5 bar / 65.3 psi version)

Pressure Ranges

4.5 bar / 65.3 psi or 2.5 bar / 36.3 psi options

IP Rating

IP50

Fluid Compatibility / Corrosion Resistance

Industrial, aerospace & off-shore control fluids (typical)

Min Outlet Pressure

1013 bar / 14.7 psi

Max. Fluid Temperature (Continuous)

80 °C / 176 °F

Min Fluid Temperature

Viscosity dependant

Max. Viscosity

Not greater than 400cSt (on 2.5 bar version)

Min. Viscosity

1 cSt

Max outlet pressure

Version dependant: 2.5 bar / 36.3 psi for O version
4.5 bar / 65.3 psi for H version

Min. Continuous Ambient Temperature

10 °C / 50 °F

Max. Continuous Ambient Temperature

55 °C / 131 °F

Power Consumption

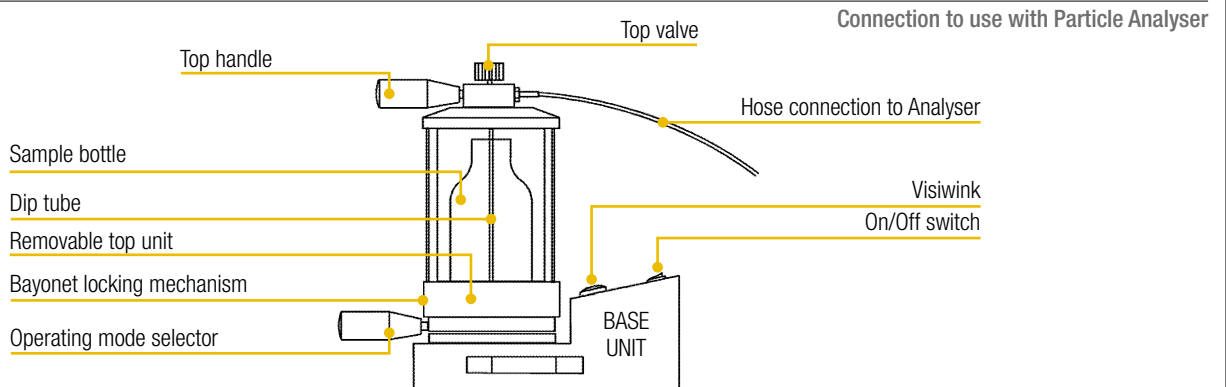
60W

Warranty

12 months

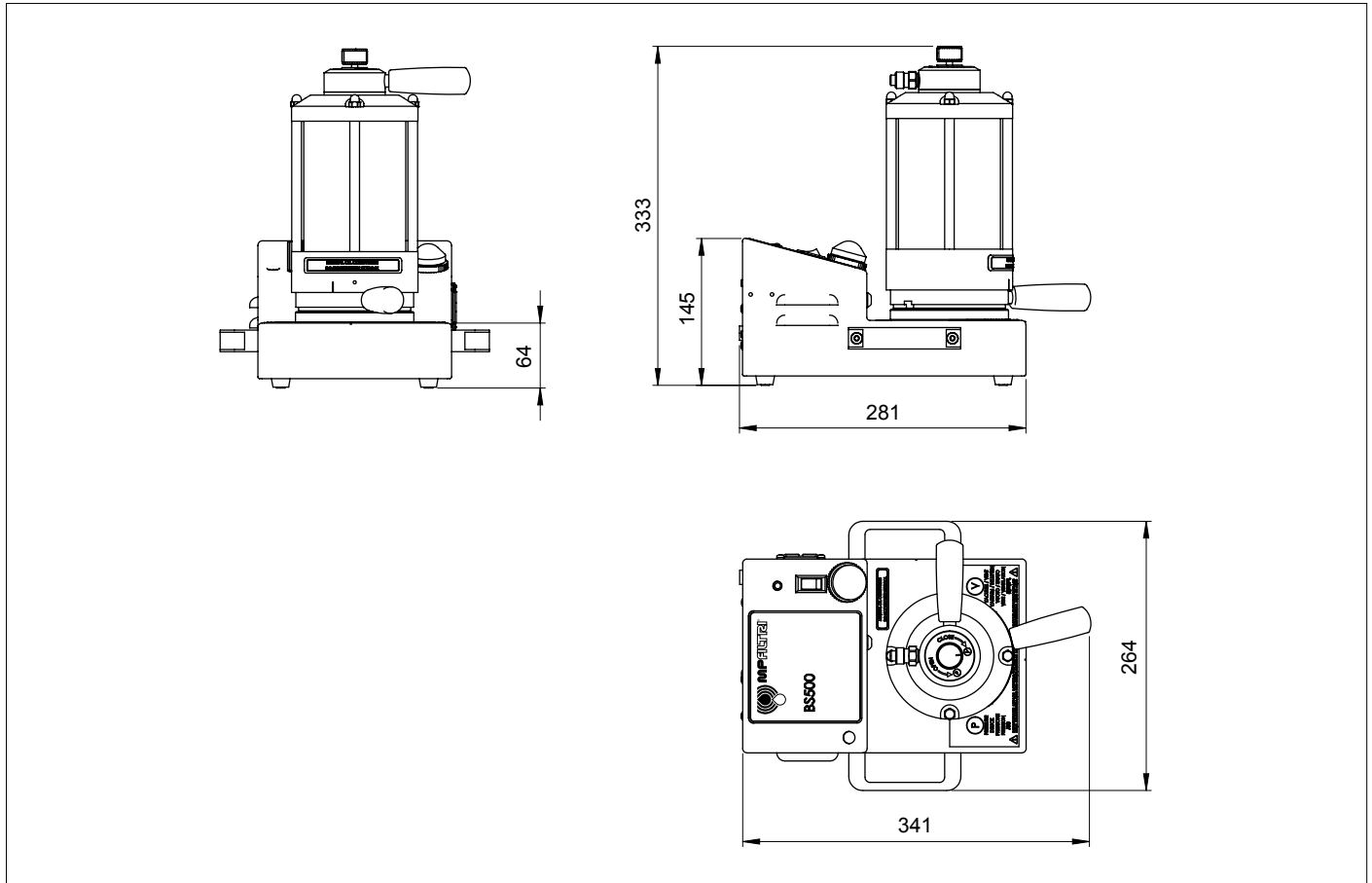
Installation

Indoor Use / Laboratory Use



BS500 Bottle Samplers

Dimensions



Designation & Ordering code

BOTTLE SAMPLER BS500	
Series	Configuration example: BS500 V 0 0 UK
BS500	500 ml fluid volume
Fluid compatibility	
V	Mineral oil and synthetic fluids, Subsea and water based fluids
E	Phosphate ester and aggressive fluids
S	Phosphate ester and aggressive fluids, Mineral oil and synthetic fluids, Subsea and water based fluids
Pressure rating	
0	2.0 bar, standard option
H	4.0 bar, high pressure option (*)
Pressure cylinder option	
0	Acrylic cylinder assembly
S	Glass cylinder assembly (**)
Power adapter options	
UK	UK power adapter
EU	European power adapter
US	USA power adapter
AU/CN	Australasia power adapter

(*) = H version only available in BS500 V version

(**) = Glass version only available in BS500 E & S version

HOW SAMPLING

Bottles



At MP Filtri we offer a range of standard & ultra-clean glass bottles for your sampling needs:

100 ml, 210 ml & 500 ml Standard Bottles (not certified clean)

- 100 ml, available in amber glass or clear plastic varieties
- 210 ml, available in clear glass
- 500 ml, available in clear glass

100 ml & 210 ml Ultra Clean Glass Bottles

- Certified to ISO 3722 Hydraulic fluid power
- Fluid sample containers
- Qualifying and controlling cleaning methods
NAS 0 to NAS 00/ AS4059E Table 1 Class 0

Glass Colour

Clear glass provides better visibility of the sample, making de-aeration easier to monitor. Amber glass may reduce the effect of UV light on the sample, reducing the risk of microbial growth and FAME (fatty acid methyl esters) which can be significant in fuel analysis.

DE-AERATION & CLEANLINESS

Samples should be shaken vigorously before use however this causes the sample to become aerated which means leaving it to settle.







The BS500 & BS110 de-aeration facility reduces this settling time, allowing more samples to be analysed thereby increasing productivity.



SAMPLING FACTORS

Below are some of the factors which should be considered when taking a sample. For guidance on sampling procedures refer to ISO 4021 & the product user guide.

- Location of the take-off point
- Homogeneity of the sample
- Local area cleanliness
- Bottle cleanliness
- Equipment cleanliness
- Flushing / Cleaning fluid cleanliness
- Operator clothing & cleanliness
- Air cleanliness

 <p>100 µm Dust particle (dead skin)</p>	 <p>40 µm Pollen</p>	 <p>24 µm White blood cell</p>	 <p>10 µm Dust mite faeces</p>	 <p>8 µm Red blood cell</p>	 <p>3 µm E-coli bacteria</p>
--	--	--	--	---	--

HOW SAMPLING

Sample pumps

Hand pump



For systems where there is no practical access to a test point, a sample may need to be taken from an un-pressurized reservoir.

For this occurrence we offer a simple **hand pump device** with both off-line sampling products which provides for clean and efficient sampling.

The design ensures that only the hose is in contact with the sample fluid, providing greater confidence in analysis, and we provide a range of adapters to suit our various bottle sizes.

The pump can be fully dismantled for cleaning and the sample hose plus main seal can be replaced to further improve clean practise.

Ultra clean bottles cleaned to and in accordance with DIN/ISO 5884.

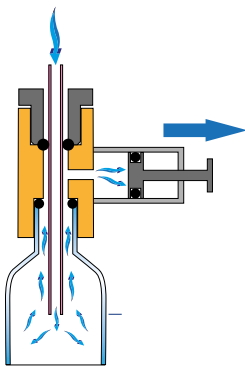
Ultra clean bottles cleanliness verified to ISO 3722.

NAS 1638 cleanliness certification of between Class 00 and Class 0.

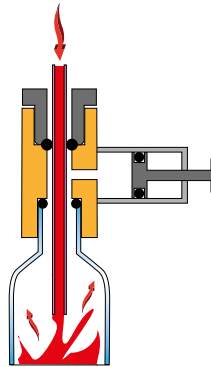
The pump and its associated parts are also available as a spares. See spares list page 88-89

Descriptions	Part Code	Dimensions (mm)
100 ml - Ultra Clean Bottle (Certified)	P.02	Ø 50x92
100 ml - Standard Bottle Brown Glass	BS0016	Ø 50x91
100 ml - Clear Plastic Bottle	7.111	Ø 51x92
100 ml - Standard Bottle Tray (72 bottles)	BS0072	N/A
210 ml - Ultra Clean Bottle (Certified)	P.03	Ø 65x130
210 ml - Standard Bottle	8.054	Ø 65x122
500 ml - Standard Bottle	8.328	Ø 82x152

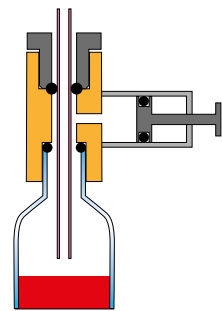
How it works



Priming the pump causes a vacuum inside the bottle, syphoning fluid from the reservoir.



The design of the pump means that only the hose is in contact with the fluid protecting the quality of the sample.



The sample level should always finish below the level of the hose. The bottle can now be removed and capped.

Electric vacuum pump



MP Filtri's Patch Imaging Kit is available with an optional electric pump (spares number: 444.009000). The pump is available with power options for the UK, EU, US, AUS/CN.

See page 93

FLUID COMPATIBILITY CHARTS

HYDROCARBON AND SYNTHETIC

Fluid type	Fluid spec.	ICM				LPA				CML				BS110		BS500		
		M	(W)	N	S	M	(W)	N	S	M	(W)	N	S	M	V	E	S	
SYNTHETIC OR MINERAL BASED LIQUIDS	AEROSHELL FLUID 31 (OX-19)	Yellow	Yellow	Green	Green	Yellow	Yellow	Green	Green	Yellow	Yellow	Green	Green	Yellow	Green	Red	Green	
	AEROSHELL FLUID 51	Green	Green	Green	Green	Green	Green	Green	Green	Green	Green	Green	Green	Green	Green	Red	Green	
	AEROSHELL FLUID 602	Green	Green	Green	Green	Green	Green	Green	Green	Green	Green	Green	Green	Green	Green	Red	Green	
	CASTROL CONSTAB PS 10W-40	Green	Green	Green	Green	Green	Green	Green	Green	Green	Green	Green	Green	Green	Green	Red	Green	
	DIESEL CALIBRATION OIL 4113	Green	Green	Green	Green	Green	Green	Green	Green	Green	Green	Green	Green	Green	Green	Red	Green	
	FINA POLYGLYCOL FLUID	Yellow	Yellow	Yellow	Yellow	Yellow	Yellow	Yellow	Yellow	Yellow	Yellow	Yellow	Yellow	Yellow	Yellow	Yellow	Yellow	
	GEAROL ISO VG 320	Green	Green	Green	Green	Green	Green	Green	Green	Green	Green	Green	Green	Green	Green	Red	Green	
	ISO 32	Green	Green	Green	Green	Green	Green	Green	Green	Green	Green	Green	Green	Green	Green	Red	Green	
	ISO 46	Green	Green	Green	Green	Green	Green	Green	Green	Green	Green	Green	Green	Green	Green	Red	Green	
	ISO 68	Green	Green	Green	Green	Green	Green	Green	Green	Green	Green	Green	Green	Green	Green	Red	Green	
	MIL-H-5606	Green	Green	Green	Green	Green	Green	Green	Green	Green	Green	Green	Green	Green	Green	Red	Green	
	MIL-H-83282	Green	Green	Green	Green	Green	Green	Green	Green	Green	Green	Green	Green	Green	Green	Red	Green	
	MIL-H-87257	Green	Green	Green	Green	Green	Green	Green	Green	Green	Green	Green	Green	Green	Green	Red	Green	
	MOBILGEAR SHC XMP 320	Yellow	Yellow	Yellow	Yellow	Yellow	Yellow	Yellow	Yellow	Yellow	Yellow	Yellow	Yellow	Yellow	Yellow	Yellow	Yellow	
	NATO H-515 (OM-15)	Green	Green	Green	Green	Green	Green	Green	Green	Green	Green	Green	Green	Green	Green	Red	Green	
	NATO H-520 (OM-18)	Green	Green	Green	Green	Green	Green	Green	Green	Green	Green	Green	Green	Green	Green	Red	Green	
	NATO H-537	Green	Green	Green	Green	Green	Green	Green	Green	Green	Green	Green	Green	Green	Green	Red	Green	
	RENOLIN PG 68	Green	Green	Green	Green	Green	Green	Green	Green	Green	Green	Green	Green	Green	Green	Red	Green	
	RENOLIN PG 100	Green	Green	Green	Green	Green	Green	Green	Green	Green	Green	Green	Green	Green	Green	Red	Green	
	RENOLIN PG 150	Green	Green	Green	Green	Green	Green	Green	Green	Green	Green	Green	Green	Green	Green	Red	Green	
	RENOLIN PG 220	Green	Green	Green	Green	Green	Green	Green	Green	Green	Green	Green	Green	Green	Green	Red	Green	
	RENOLIN PG 320	Green	Green	Green	Green	Green	Green	Green	Green	Green	Green	Green	Green	Yellow	Green	Red	Green	
	RENOLIN PG 460	Yellow	Yellow	Yellow	Yellow	Yellow	Yellow	Yellow	Yellow	Yellow	Yellow	Yellow	Yellow	Yellow	Yellow	Yellow	Yellow	
	RENOLIN PG 680	Yellow	Yellow	Yellow	Yellow	Yellow	Yellow	Yellow	Yellow	Yellow	Yellow	Yellow	Yellow	Yellow	Yellow	Yellow	Yellow	
	RENOLIN PG 1000	Yellow	Yellow	Yellow	Yellow	Yellow	Yellow	Yellow	Yellow	Yellow	Yellow	Yellow	Yellow	Yellow	Yellow	Yellow	Yellow	
	RENOLIN UNISYN OL 32	Green	Green	Green	Green	Green	Green	Green	Green	Green	Green	Green	Green	Green	Green	Red	Green	
	RENOLIN UNISYN OL 46	Green	Green	Green	Green	Green	Green	Green	Green	Green	Green	Green	Green	Green	Green	Red	Green	
	RENOLIN UNISYN OL 68	Green	Green	Green	Green	Green	Green	Green	Green	Green	Green	Green	Green	Green	Green	Red	Green	
	RENOLIN UNISYN OL 100	Green	Green	Green	Green	Green	Green	Green	Green	Green	Green	Green	Green	Green	Green	Red	Green	
	RENOLIN UNISYN OL 150	Green	Green	Green	Green	Green	Green	Green	Green	Green	Green	Green	Green	Green	Green	Red	Green	
STATOIL HYDRAULIC 131	Green	Green	Green	Green	Green	Green	Green	Green	Green	Green	Green	Green	Green	Green	Red	Green		
AERO HF585B	Green	Green	Green	Green	Green	Green	Green	Green	Green	Green	Green	Green	Green	Green	Red	Green		
MOBIL DTE 25	Green	Green	Green	Green	Green	Green	Green	Green	Green	Green	Green	Green	Green	Green	Red	Green		

For special applications or for fluids not mentioned in this table, please contact MP Filtri Technical and Sales Department. Alternatively, visit the services section of our website where we have details on fluid testing and analysis. For guidance on moisture sensing compatibility, contact MP Filtri Technical and Sales Department. Typically conductive fluids are not compatible with the moisture sensor.

■ Compatible
■ Not compatible
■ Contact MP Filtri

Please note that compatibility is based product performance with fluid viscosity at 20 °C in standard dye colourant or natural state. Tests are conducted with the suitable fluid in its pure state. Performance of solutions or mixed emulsions cannot be guaranteed. "Compatibility" is defined as a liquid which does not suffer short or long term degradation as a result of coming into contact with the wetted materials contained within the product. It is also a confirmation that the transparency of the liquid is suitable for the sensitivity of the product range.

For details on the specific product code required for your fluid, contact contact MP Filtri Technical and Sales Department.

FLUID COMPATIBILITY CHARTS

OFFSHORE

Fluid type	Fluid spec.	ICM				LPA				CML				BS110		BS500	
		M	(W)	N	S	M	(W)	N	S	M	(W)	N	S	M	V	E	S
OFFSHORE & SELECTED WATER BASED FLUIDS	HW443	Red	Red	Green	Green	Red	Red	Green	Green	Red	Red	Green	Green	Red	Red	Red	Green
	HW443R	Red	Red	Green	Green	Red	Red	Green	Green	Red	Red	Green	Green	Red	Red	Red	Green
	HW453	Red	Red	Green	Green	Red	Red	Green	Green	Red	Red	Green	Green	Red	Red	Red	Green
	HW540	Red	Red	Green	Green	Red	Red	Green	Green	Red	Red	Green	Green	Red	Red	Red	Green
	HW540	Red	Red	Green	Green	Red	Red	Green	Green	Red	Red	Green	Green	Red	Red	Red	Green
	PELAGIC 50	Red	Red	Green	Green	Red	Red	Green	Green	Red	Red	Green	Green	Red	Red	Red	Green
	PELAGIC 100	Red	Red	Green	Green	Red	Red	Green	Green	Red	Red	Green	Green	Red	Red	Red	Green
	TRANSAQUA HT	Red	Red	Green	Green	Red	Red	Green	Green	Red	Red	Green	Green	Red	Red	Red	Green
	TRANSAQUA HT2	Red	Red	Green	Green	Red	Red	Green	Green	Red	Red	Green	Green	Red	Red	Red	Green
	FRESH WATER	Red	Red	Green	Green	Red	Red	Green	Green	Red	Red	Green	Green	Red	Red	Red	Green
	DE-IONISED WATER	Red	Red	Green	Green	Red	Red	Green	Green	Red	Red	Green	Green	Red	Red	Red	Green
	SEAWATER	Red	Red	Yellow	Yellow	Red	Red	Yellow	Yellow	Red	Red	Yellow	Yellow	Red	Red	Red	Green
	HOUGHTO-SAFE 273 CTF	Red	Red	Yellow	Yellow	Red	Red	Yellow	Yellow	Red	Red	Yellow	Yellow	Red	Red	Red	Green
	HOUGHTO-SAFE BC24046	Red	Red	Green	Green	Red	Red	Green	Green	Red	Red	Green	Green	Red	Red	Red	Green
	WATER GLYCOL HFC 46	Red	Red	Green	Green	Red	Red	Green	Green	Red	Red	Green	Green	Red	Red	Red	Green
	LF2100 (99%WATER, 1% MIX)	Red	Red	Yellow	Yellow	Red	Red	Yellow	Yellow	Red	Red	Yellow	Yellow	Red	Red	Red	Green
	SV3	Red	Red	Yellow	Yellow	Red	Red	Yellow	Yellow	Red	Red	Yellow	Yellow	Red	Red	Red	Green

AGGRESSIVE FLUIDS

Fluid type	Fluid spec.	ICM				LPA				CML				BS110		BS500	
		M	(W)	N	S	M	(W)	N	S	M	(W)	N	S	M	V	E	S
PHOSPHATE ESTHER & AGGRESSIVE LIQUID APPLICATIONS	HYJET IV	Red	Red	Red	Green	Red	Red	Red	Green	Red	Red	Red	Green	Red	Red	Red	Green
	HYJET V	Red	Red	Red	Green	Red	Red	Red	Green	Red	Red	Red	Green	Red	Red	Red	Green
	SKYDROL 500B	Red	Red	Red	Green	Red	Red	Red	Green	Red	Red	Red	Green	Red	Red	Red	Green
	SKYDROL 500B4	Red	Red	Red	Green	Red	Red	Red	Green	Red	Red	Red	Green	Red	Red	Red	Green
	SKYDROL LD4	Red	Red	Red	Green	Red	Red	Red	Green	Red	Red	Red	Green	Red	Red	Red	Green

- Compatible
- Not compatible
- Contact MP Filtri

For special applications or for fluids not mentioned in this table, please contact MP Filtri Technical and Sales Department. Alternatively, visit the services section of our website where we have details on fluid testing and analysis. For guidance on moisture sensing compatibility, contact MP Filtri Technical and Sales Department. Typically conductive fluids are not compatible with the moisture sensor.

Please note that compatibility is based product performance with fluid viscosity at 20 °C in standard dye colourant or natural state. Tests are conducted with the suitable fluid in its pure state. Performance of solutions or mixed emulsions cannot be guaranteed. "Compatibility" is defined as a liquid which does not suffer short or long term degradation as a result of coming into contact with the wetted materials contained within the product. It is also a confirmation that the transparency of the liquid is suitable for the sensitivity of the product range.

For details on the specific product code required for your fluid, contact contact MP Filtri Technical and Sales Department.

FLUID COMPATIBILITY CHARTS

FUELS

Fluid type	Fluid spec.	ICM				LPA				CML				BS110		BS500		
		M	(W)	N	S	M	(W)	N	S	M	(W)	N	S	M	V	E	S	
FUELS	JET A-1	Yellow	Yellow	Green	Green	Red	Red	Green	Green	Red	Red	Green	Green	Green	Yellow	Red	Green	
	JET A	Yellow	Yellow	Green	Green	Red	Red	Green	Green	Red	Red	Green	Green	Green	Yellow	Red	Green	
	JET B	Yellow	Yellow	Green	Green	Red	Red	Green	Green	Red	Red	Green	Green	Green	Yellow	Red	Green	
	JP1	Yellow	Yellow	Green	Green	Red	Red	Green	Green	Red	Red	Green	Green	Green	Yellow	Red	Green	
	JP5	Yellow	Yellow	Green	Green	Red	Red	Green	Green	Red	Red	Green	Green	Green	Yellow	Red	Green	
	JP6	Yellow	Yellow	Green	Green	Red	Red	Green	Green	Red	Red	Green	Green	Green	Yellow	Red	Green	
	JP7	Yellow	Yellow	Green	Green	Red	Red	Green	Green	Red	Red	Green	Green	Green	Yellow	Red	Green	
	JP8	Yellow	Yellow	Green	Green	Red	Red	Green	Green	Red	Red	Green	Green	Green	Yellow	Red	Green	
	JPTS	Yellow	Yellow	Green	Green	Red	Red	Green	Green	Red	Red	Green	Green	Green	Yellow	Red	Green	
	FT JET FUEL	Yellow	Yellow	Green	Green	Red	Red	Green	Green	Red	Red	Green	Green	Green	Yellow	Red	Green	
	GTL JET FUEL BLEND	Yellow	Yellow	Green	Green	Red	Red	Green	Green	Red	Red	Green	Green	Green	Yellow	Red	Green	
	DIESELS	Green	Green	Green	Green	Yellow	Yellow	Yellow	Yellow	Yellow	Yellow	Yellow	Yellow	Green	Green	Green	Green	

BIO FLUIDS

Fluid type	Fluid spec.	ICM				LPA				CML				BS110		BS500		
		M	(W)	N	S	M	(W)	N	S	M	(W)	N	S	M	V	E	S	
BIODEGRADABLE FLUIDS & VEGETABLE OILS	BIO-ETHANOL	Yellow	Yellow	Yellow	Yellow	Yellow	Yellow	Yellow	Yellow	Yellow	Yellow	Yellow	Yellow	Yellow	Green	Green	Green	
	BIO-DIESEL	Yellow	Yellow	Yellow	Yellow	Yellow	Yellow	Yellow	Yellow	Yellow	Yellow	Yellow	Yellow	Yellow	Green	Green	Green	
	PLANTOHYD N SERIES	Yellow	Yellow	Yellow	Yellow	Yellow	Yellow	Yellow	Yellow	Yellow	Yellow	Yellow	Yellow	Yellow	Green	Green	Green	
	PANOLIN HLP SYNTH 22	Yellow	Yellow	Yellow	Yellow	Yellow	Yellow	Yellow	Yellow	Yellow	Yellow	Yellow	Yellow	Yellow	Green	Green	Green	
	SUNFLOWER OIL	Green	Green	Green	Green	Green	Green	Green	Green	Green	Green	Green	Green	Green	Green	Green	Green	
	RAPESEED OIL	Green	Green	Green	Green	Green	Green	Green	Green	Green	Green	Green	Green	Green	Green	Green	Green	
	CORN OIL	Green	Green	Green	Green	Green	Green	Green	Green	Green	Green	Green	Green	Green	Green	Green	Green	
	GROUND NUT OIL	Green	Green	Green	Green	Green	Green	Green	Green	Green	Green	Green	Green	Green	Green	Green	Green	
	CAT BIO HYDO HEES	Yellow	Yellow	Yellow	Yellow	Yellow	Yellow	Yellow	Yellow	Yellow	Yellow	Yellow	Yellow	Yellow	Green	Green	Green	

■ Compatible
■ Not compatible
■ Contact MP Filtri

For special applications or for fluids not mentioned in this table, please contact MP Filtri Technical and Sales Department. Alternatively, visit the services section of our website where we have details on fluid testing and analysis. For guidance on moisture sensing compatibility, contact MP Filtri Technical and Sales Department. Typically conductive fluids are not compatible with the moisture sensor.

Please note that compatibility is based product performance with fluid viscosity at 20 °C in standard dye colourant or natural state. Tests are conducted with the suitable fluid in its pure state. Performance of solutions or mixed emulsions cannot be guaranteed. "Compatibility" is defined as a liquid which does not suffer short or long term degradation as a result of coming into contact with the wetted materials contained within the product. It is also a confirmation that the transparency of the liquid is suitable for the sensitivity of the product range.

For details on the specific product code required for your fluid, contact contact MP Filtri Technical and Sales Department.

SPARE PARTS LIST

Description (product types)	Ordering Code
Calibration Verification Fluid (requires use of Bottle Sampling device)	PCCF
CMP Hydraulic connections / options:	
M16x2 microbore pressure hose, plated steel, 600 mm (M versions)	95.Y30Y30X261060
M16x2 microbore pressure hose, plated steel, 1500 mm (M versions)	95.Y30Y30X261150
M16x2 microbore pressure hose, stainless steel, 600 mm (N versions)	95.Y30Y30X161060
M16x2 microbore pressure hose, stainless steel, 1500 mm (N versions)	95.Y30Y30X161150
Waste Hose (M versions), 2000 mm - Brass / FKM	SK0014S30
Waste Hose (N versions), 2000 mm - Stainless Steel / FKM	SK0014S30N
Waste Hose (S versions), 2000 mm - Stainless Steel / FFKM	SK0014S30S
Offline Hose Assembly	481.027000
Pouch for pressure hose/waste hose	7.106
M16x2 M to F Coarse Screen Filter (M and N versions)	SK0040
G1/4 F to F coarse screen filter (M/N/S versions)	11.615
M16x2 F to F Coarse Screen Filter (S versions)	SK0041
Airbus adaptor with test point	SKAA02
Waste Bottle:	
1 Litre - Round	SK0012
1 Litre - Square (for use with CB0001)	SK0013
Communications:	
Serial cable to USB converter	SK0026
PC Download cable	6.123
USB A-B cable	11.081
Bluetooth Portable Printer	482.016000
1m USB A to C Cable	443.074000
ICMKAZ2 to USBi conversion kit - not to be used in zoned areas	11.645
USB stick with all user guides and LPA-View Software	13.055001
Offline sampling equipment:	
Disposable Dip tubes - pack of 50	BS0018
Hand Pump	BS0020
Hand Pump Hose - 1000 mm	BS0022
Bottle Sampler hand pump and hose kit	BS0024
100 ml Standard Brown Glass Bottle	BS0016
Tray of 72 x 100 ml Standard Brown Glass Bottles	BS0072
100 ml Clear Plastic Bottle	7.111
Box of 20 x 100 ml Clear Plastic Bottles	7.112
250 ml Standard Clear Glass Bottle	8.054
Box of 20 x 250 ml Standard Clear Glass Bottles	8.054-20
500 ml Standard Clear Glass Bottle	8.328
DIN/ISO5584/ISO3722 certified clean, 100 ml clear glass bottle	P.02
DIN/ISO5584/ISO3722 certified clean, 100 ml clear glass bottle - Box of 25	P.0225
DIN/ISO5584/ISO3722 certified clean, 250 ml clear glass bottle	P.03
DIN/ISO5584/ISO3722 certified clean, 250 ml clear glass bottle - Box of 25	P.0320

SPARE PARTS LIST

Description (product types)	Ordering Code
Power Options:	
12V. 2A Power Adapter - UK/EU/US/CN/AUS	6.209
19V. 3A Power Adapter	61.034000
12V. 5A Power Adapter for 500 ml Bottle Sampler	8.029
UK Lead for 8.029	8.031
EU Lead for 8.029	8.032
US Lead for 8.029	8.030
CN/AUS Lead for 8.029	8.072
Other:	
Thermal printer paper 57x33 mm	63.083000
Thermal paper roll 57x51 mm	6.160
LPA2 Aviation Edition travel case without foam	TC0005
Replacement foam insert for TC0005	6.300
Heavy-duty orange pelicase	443.061E20
Pelicase foam insert	443.062020
Self-adhesive patch test covers	444.029001
Patch test membranes - 1.2 micron filter	444.010000
Spray bottle	444.018J10
Stainless steel tweezers	444.011120
Waste bottle	444.032J00
Reuseable Nalgene filter assembly	444.024000
0.01 mm Calibration slides	444.025000
Microscope power adaptor	444.033000
Hose - 8 x 6 mm Nalgene vacuum cable	444.026000
Hose - 6 x 4 mm Hand pump sampling cable	7.107
Microscope camera - 1.3 MP	444.016010
Serial plate for patch imaging kit	484.314000
A5 document wallet	444.027001
Patch test report card	444.028001
Electric vacuum pump	444.009000
CML Carry Bag	10.011
LPA3 Carry Bag	63.088000
LPA2 Carry Bag	CB0001
Black support case (without contents)	BS0040
Heavy Duty Travel Case for Bottle Sampler	TC00055B

