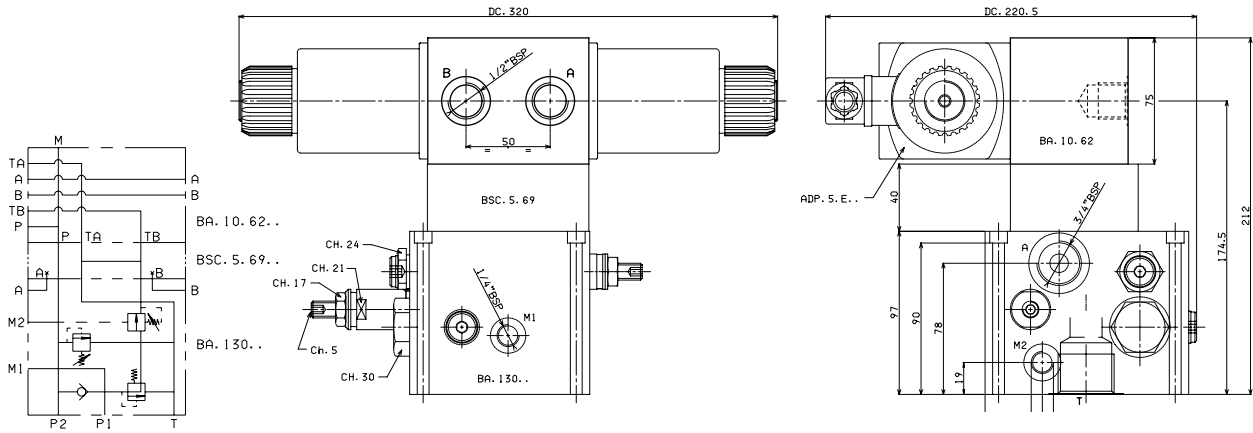


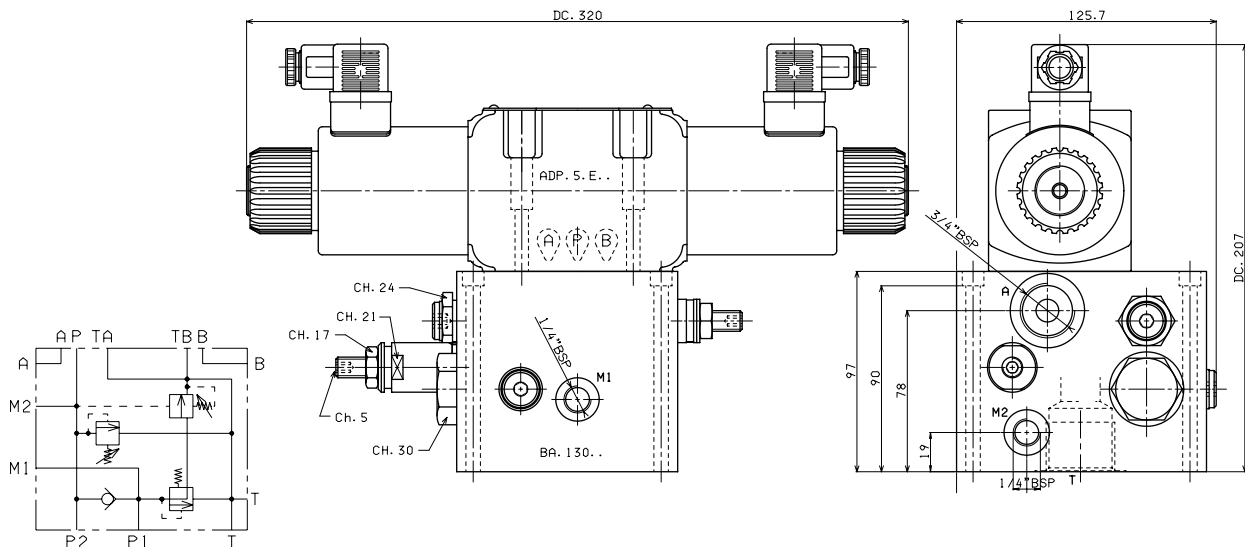
OVERALL DIMENSIONS AND HYDRAULIC SYMBOLS

SIDE MOUNTING FOR SINGLE SOLENOID VALVE CETOP5/NG10 (CONNECTOR BLOCK BA.10.62)

Fixing screws M10x80 UNI 5931

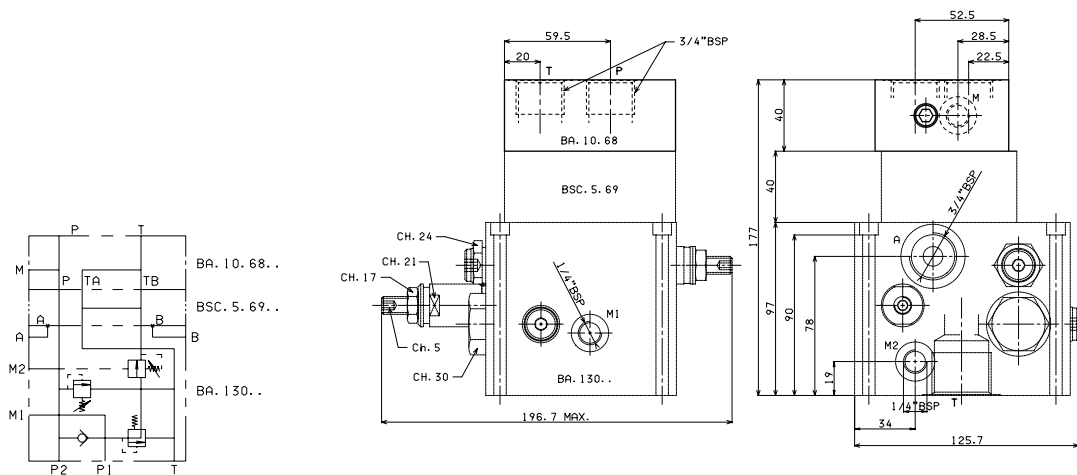


UPPER MOUNTING FOR SINGLE SOLENOID VALVE CETOP5/NG10



MOUNTING WITH THREADED CONNECTORS (CONNECTOR BLOCK BA.10.68)

Fixing screws M10x45 UNI 5931



10

