

BM.3.**...

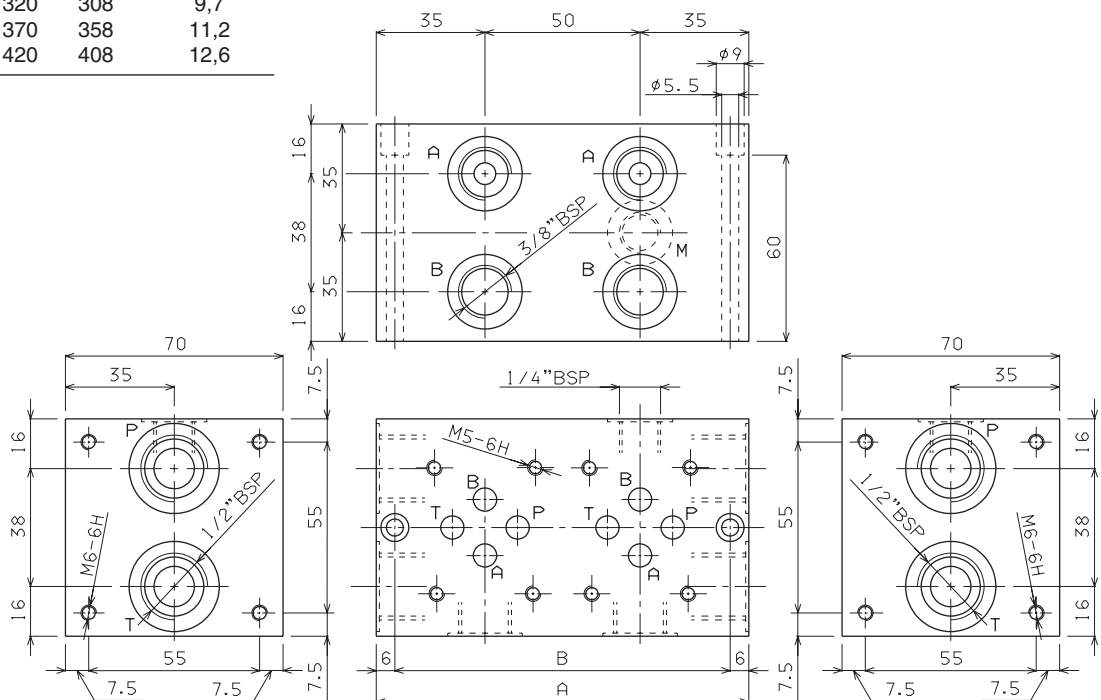
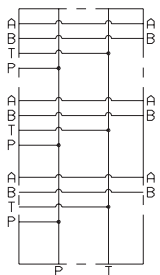
- BM** Multi station subplate (standard versions are supplied in cast iron material)
- 3** CETOP 3/NG6
- ****
 - 50 = Connected in parallel with pressure relief valve and rear connectors
 - 70 = Connected in parallel with pressure relief valve and side connectors
 - 52 = Connected in series with pressure relief valve and rear connectors
 - 72 = Connected in series with pressure relief valve and side connectors
 - 60 = Connected in parallel without pressure relief valve and side connectors
- *** No. of valve seats
2 / 3 / 4 / 5 / 6 / 7 / 8
- *** Type of adjustment (omit for 60 version)
M = Plastic knob
C = Grub screw
- *** Setting range (omit for 60 version)
1 = max. 50 bar (**white spring**)
2 = max. 150 bar (**yellow spring**)
3 = max. 320 bar (**green spring**)
- **** 00 = No variant
AL = in aluminium material versions (recommended pressure max. 230 bar)
- 1** Serial No.

• The minimum permissible setting pressure depending on the spring: see cartridge valve type CMP.10... Chapter VII page 30

7

BM.3.60 CONNECTED IN PARALLEL WITHOUT PRESSURE RELIEF VALVE

Type	A	B	Weight(Kg)
BM.3.60/2	120	108	3,6
BM.3.60/3	170	158	5,1
BM.3.60/4	220	208	6,7
BM.3.60/5	270	258	8,2
BM.3.60/6	320	308	9,7
BM.3.60/7	370	358	11,2
BM.3.60/8	420	408	12,6



Fixing screws M5x70 UNI 5931

BM.3.50 CONNECTED IN PARALLEL WITH PRESSURE RELIEF VALVE

Type	A	B	Weight(Kg)
BM.3.50/2	141	126	4,6
BM.3.50/3	191	176	6,1
BM.3.50/4	241	226	7,6
BM.3.50/5	291	276	9,1
BM.3.50/6	341	326	10,6
BM.3.50/7	391	376	12,1
BM.3.50/8	441	426	13,6

Fixing screws M6x55 UNI 5931

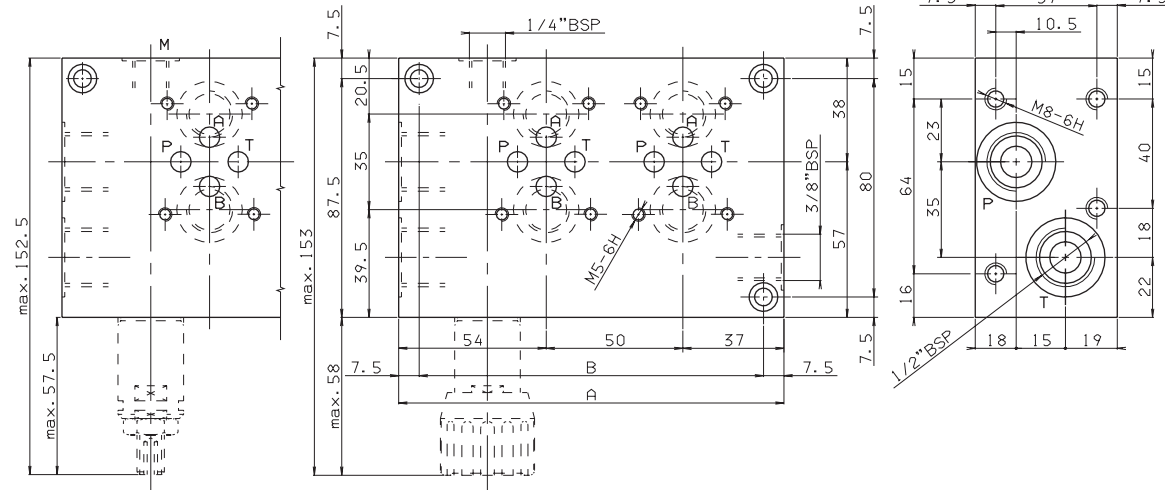
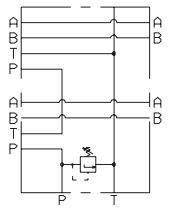
7

BM.3.70 CONNECTED IN PARALLEL WITH PRESSURE RELIEF VALVE

Type	A	B	Weight(Kg)
BM.3.70/2	160	148	4,9
BM.3.70/3	210	198	6,4
BM.3.70/4	260	248	7,9
BM.3.70/5	310	298	9,4
BM.3.70/6	360	348	10,9
BM.3.70/7	410	398	12,4
BM.3.70/8	460	448	13,9

Fixing screws M5x70 UNI 5931

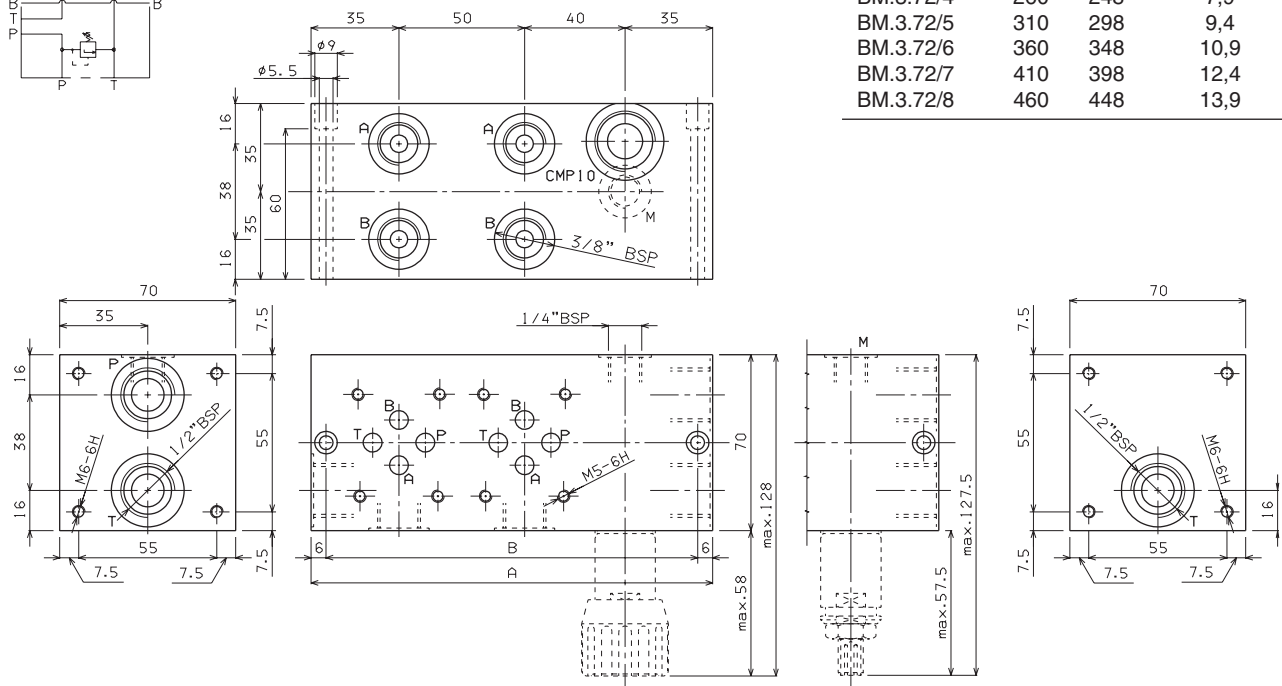
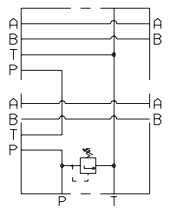
BM.3.52 CONNECTED IN SERIES WITH PRESSURE RELIEF VALVE



Type	A	B	Weight(Kg)
BM.3.52/2	141	126	4,6
BM.3.52/3	191	176	6,3
BM.3.52/4	241	226	7,6
BM.3.52/5	291	276	9,2
BM.3.52/6	341	326	10,7
BM.3.52/7	391	376	12,2
BM.3.52/8	441	426	13,7

Fixing screws M6x55 UNI 5931

BM.3.72 CONNECTED IN SERIES WITH PRESSURE RELIEF VALVE



Type	A	B	Weight(Kg)
BM.3.72/2	160	148	4,9
BM.3.72/3	210	198	6,4
BM.3.72/4	260	248	7,9
BM.3.72/5	310	298	9,4
BM.3.72/6	360	348	10,9
BM.3.72/7	410	398	12,4
BM.3.72/8	460	448	13,9

Fixing screws M5x70 UNI 5931