

CETOP 3 SUBPLATES

BS.3.01... / BS.3.0*... CH. VII PAGE 7

BS.3.10/11... / BS.3.12/13... CH. VII PAGE 8

BS.3.14/15... / BS.3.16/17... CH. VII PAGE 8

BS.3.20/21... / BS.VMP.10... CH. VII PAGE 9

BS.3.W... CH. VII PAGE 9

BC.3.25/27... / BC.3.30/32... CH. VII PAGE 10

BC.3.40... CH. VII PAGE 10

BC.3.41/*... CH. VII PAGE 11

BC.3.50... / BC.3.51... / BC.3.07... / BC.3.107... CH. VII PAGE 12

BC.3.08... / BC.3.09... / BC.06.XQ3... / BC.06.XQP3... CH. VII PAGE 13

BC.06.25/27... CAP. VII PAGE 14

BC.06.30/32... / BC.06.40... CH. VII PAGE 15

BC.06.41/*... CH. VII PAGE 15

BM.3.**... / BM.3.60... CH. VII PAGE 16

BM.3.50... / BM.3.70... CH. VII PAGE 17

BM.3.52... / BM.3.72... CH. VII PAGE 18

CMP.10... CH. VII PAGE 30

XQ.3... CH. VIII PAGE 20

XQP.3... CH. VIII PAGE 22

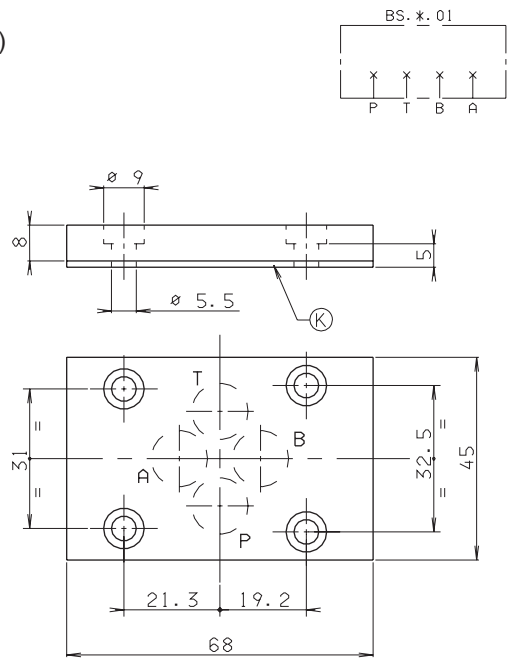
BS.3.01...

- BS** Single subplate (blanking)
- 3** CETOP 3/NG6
- 01** P / T / A / B closed
- 00** No variant
- 1** Serial No.

Weight: 0,2 Kg

Fixing screws M5x14 UNI 5931
K = plate OR (Q25.95.0001)

Use for pressures up to 200 bar.

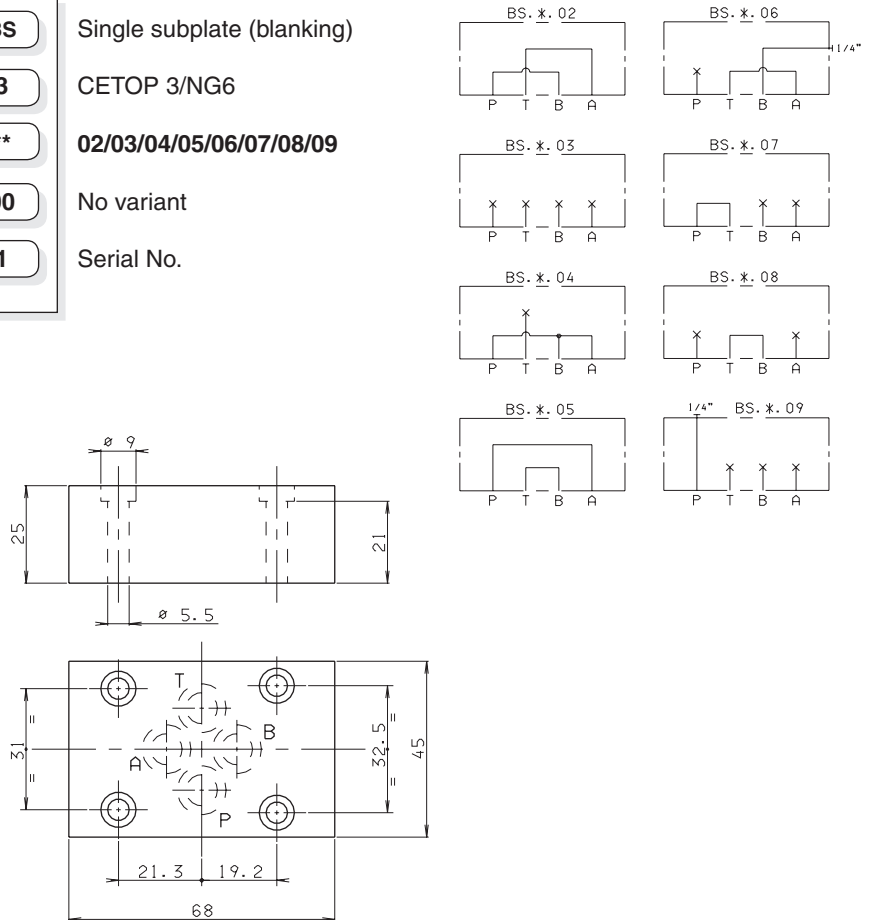


BS.3.**...

- BS** Single subplate (blanking)
- 3** CETOP 3/NG6
- **** 02/03/04/05/06/07/08/09
- 00** No variant
- 1** Serial No.

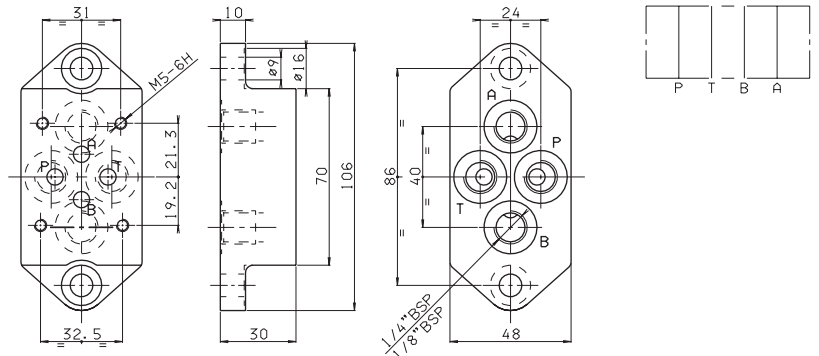
Weight: 0,5 Kg

Fixing screws M5x30 UNI 5931



BS.3.10/11... (REAR CONNECTORS)

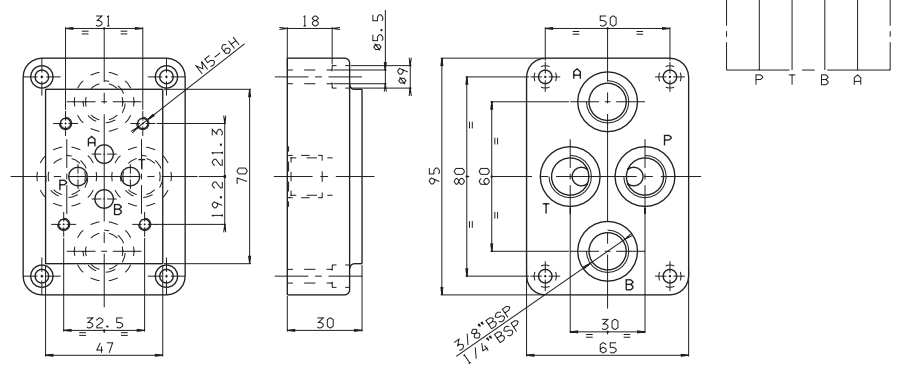
- BS** Single subplate
- 3** CETOP 3/NG6
- **** **10** = 1/8" BSP rear connectors
11 = 1/4" BSP rear connectors
- 00** No variant
- 1** Serial No.



Weight: 0,7 Kg - Fixing screws M8x20 UNI 5931

BS.3.12/13 (REAR CONNECTORS)

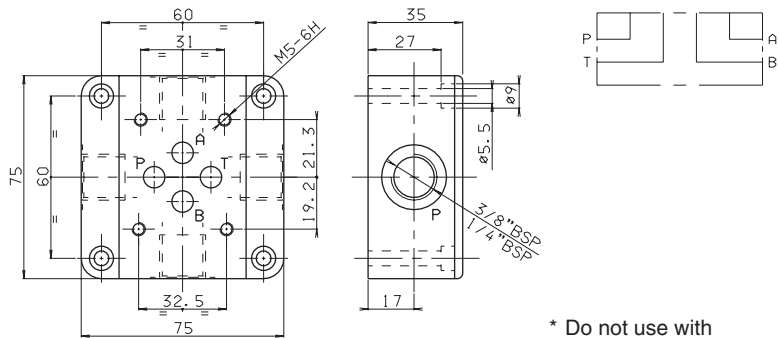
- BS** Single subplate
- 3** CETOP 3/NG6
- **** **12** = 3/8" BSP rear connectors
13 = 1/4" BSP rear connectors
- 00** No variant
- 1** Serial No.



Weight: 1 Kg - Fixing screws M5x25 UNI 5931

BS.3.14/15 (SIDE CONNECTORS)

- BS** Single subplate
- 3** CETOP 3/NG6
- **** **14** = 3/8" BSP side connectors (*)
15 = 1/4" BSP side connectors (*)
- 00** No variant
- 1** Serial No.

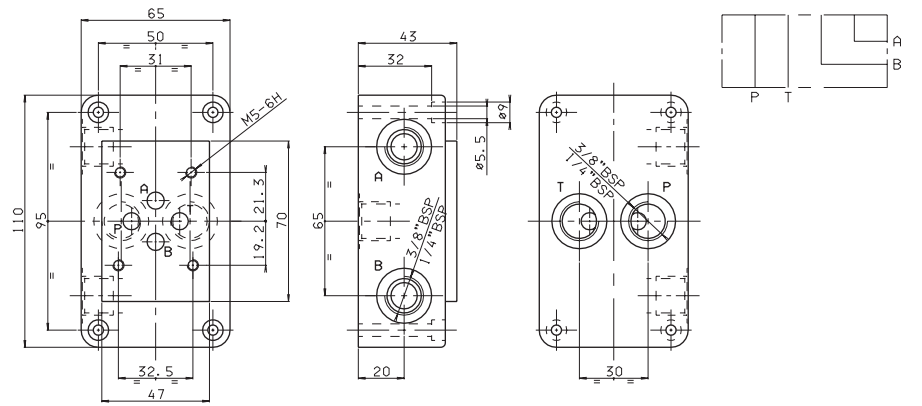


Weight: 1,2 Kg - Fixing screws M5x35 UNI 5931

* Do not use with XQP3C3-D---2

BS.3.16/17 (CONNECTORS SIDE A AND B, REAR P AND T)

- BS** Single subplate
- 3** CETOP 3/NG6
- **** **16** = 3/8" BSP rear and side connectors
17 = 1/4" BSP rear and side connectors
- 00** No variant
- 1** Serial No.

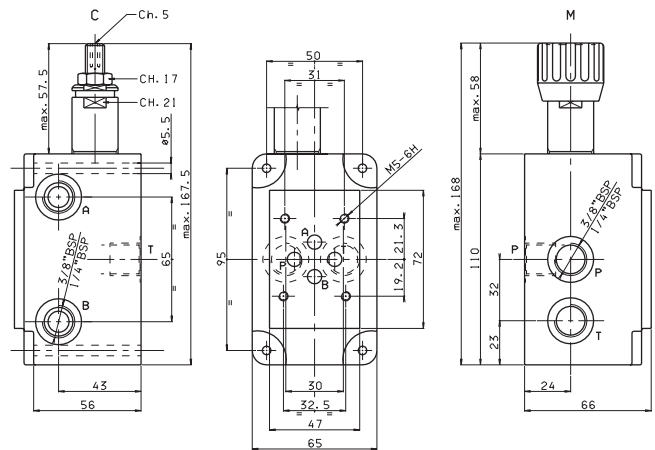


Weight: 1,8 Kg - Fixing screws M5x40 UNI 5931

7

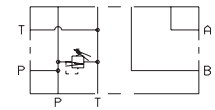
BS.3.20/21 (CONNECTORS SIDE A AND B, REAR P AND T)

- BS** Single subplate
- 3** CETOP 3/NG6
- **** 20 = 3/8" BSP rear and side connectors
21 = 1/4" BSP rear and side connectors
- *** **M** = Plastic knob
C = Grub screws
- *** Setting range
1 = max. 50 bar (**white spring**)
2 = max. 150 bar (**yellow spring**)
3 = max. 320 bar (**green spring**)
- 00** No variant
- 1** Serial No.



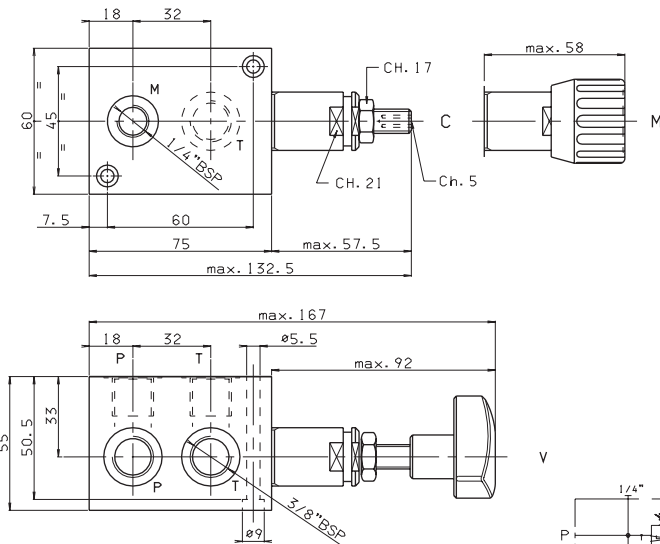
Weight: 2,9 Kg - Fixing screws M5x65 UNI 5931

• The minimum permissible setting pressure depending on the spring: see cartridge valve type CMP.10... Chapter VII page 30



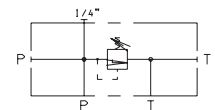
BS.VMP.10 SINGLE STATION SUBPLATE WITH MAX. PRESSURE VALVE FOR SURFACE MOUNTING (E.G. ON TAKE COVER)

- BS** Single subplate
- VMP** Max. pressure valve
- 10** 3/8" BSP connectors
- *** **M** = Plastic knob
C = Grub screw
V = Handwheel
- *** Setting range
1 = max. 50 bar (**white spring**)
2 = max. 150 bar (**yellow spring**)
3 = max. 320 bar (**green spring**)
- 00** No variant
- 1** Serial No.



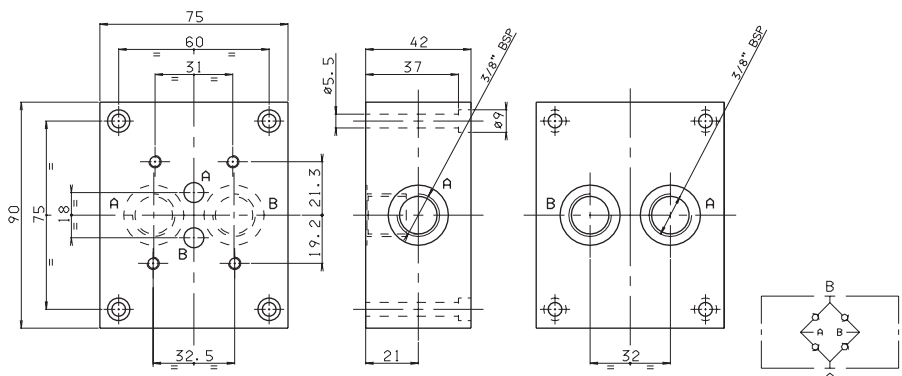
Weight: 1,6 Kg
Fixing screws M5x60 UNI 5931

• The minimum permissible setting pressure depending on the spring: see cartridge valve type CMP.10... Chapter VII page 30



BS.3.W...

- BS** Single subplate
- 3** CETOP 3/NG6
- W** Wheatstone bridge
- 00** No variant
- 1** Serial No.



Weight: 1,8 Kg
Fixing screws M5x45 UNI 5931