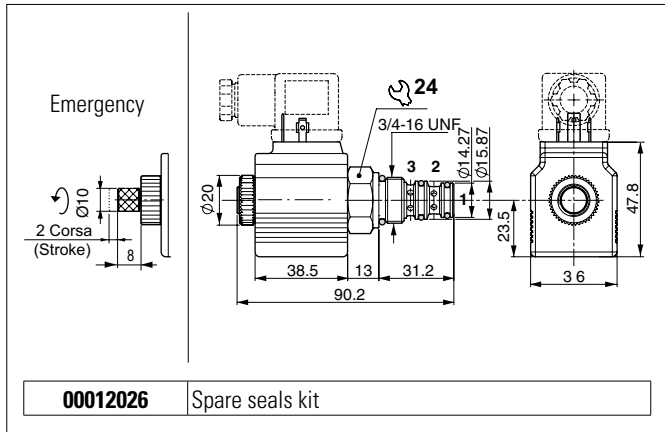
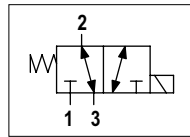


SOLENOID VALVES 3-WAY/2-POSITION

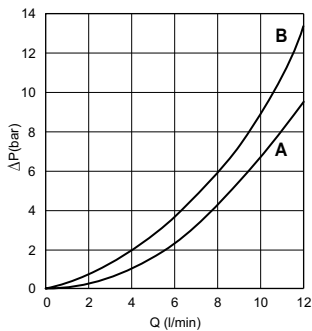


Connector to be ordered separately, see sect. 18

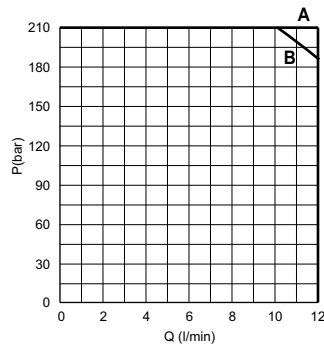
HYDRAULIC SYMBOL



PRESSURE DROPS



LIMIT OF USE



The electric valve is a 3-way 2-position directional electrically controlled valve.

Slight leakage is tolerated for this type of valve.

The valves work with DC coils whereas RAC coils with a connector with incorporated rectifier must be used for AC applications.

The sleeve is in galvanised steel. The plunger is in tempered and ground steel.

HYDRAULIC FEATURES

Max. working pressure	210 bar
Max. Flow	12 l/min
Max. excitation frequency	2 Hz
Duty cycle	100% ED
Hydraulic fluid	DIN 51524 Mineral oils
Fluid viscosity	10 ÷ 500 mm ² /s
Fluid temperature	-25°C ÷ 75°C
Ambient temperature	-25°C ÷ 60°C
Max. contamin. level class with filter	ISO 4406:1999 - class 19/17/14
Type of protection (in relation to the connector used)	IP 65
Weight	0.30 kg
Cartridge tightening torque	25 ÷ 30 Nm
Coil ring nut tightening torque	7 Nm
Cavity (3/4 - 16 UNF)	CD018005 (See section 15)

Flow	Pressure drops	Limit of use
1 → 2	A	A
2 → 1	A	A
2 → 3	B	B
3 → 2	B	B

Curve

The tests were carried out with the 22W solenoids at operating temperature, with a supply voltage 10% below nominal value and with a 40°C fluid temperature.

The fluid used is a mineral oil with viscosity of 46 mm²/s at 40°C.

ORDERING CODE

C3V = Solenoid valve 3 way / 2 positions	Series	04 = 3/4 - 16 UNF	Size	22 = 22W (C36)	Coil	1C = Hydraulic schema	Schema	C = Seat	Seat type	S = Without emergency	Version	E = With emergency																			
<table border="0"> <tr> <td colspan="3">Variants</td> <td>**</td> <td>2 = Serial No.</td> </tr> <tr> <td colspan="3">Voltage</td> <td>L = 12 VDC</td> <td>Z = 21.6 VDC RAC (2)</td> </tr> <tr> <td colspan="3"></td> <td>M = 24 VDC</td> <td>X = 102 VDC RAC (3)</td> </tr> <tr> <td colspan="3"></td> <td>N = 48 VDC</td> <td>W = Without coil (5)</td> </tr> </table>												Variants			**	2 = Serial No.	Voltage			L = 12 VDC	Z = 21.6 VDC RAC (2)				M = 24 VDC	X = 102 VDC RAC (3)				N = 48 VDC	W = Without coil (5)
Variants			**	2 = Serial No.																											
Voltage			L = 12 VDC	Z = 21.6 VDC RAC (2)																											
			M = 24 VDC	X = 102 VDC RAC (3)																											
			N = 48 VDC	W = Without coil (5)																											

Connector to be ordered separately, see sect. 18

Coils technical data, see sect. 17

(1) Only voltages 12 VDC - 24 VDC

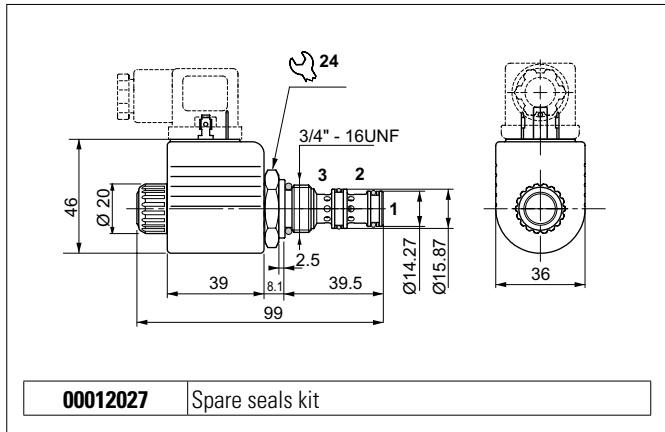
(2) With rectifier: 24 VAC/50-60Hz

(3) With rectifier: 115 VAC/50Hz - 120 VAC/60Hz

(4) With rectifier: 230 VAC/50Hz - 240 VAC/60Hz

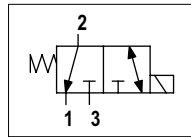
(5) Performance are guaranteed only using valves completed with BFP coil

SOLENOID VALVES 3-WAY/2-POSITION

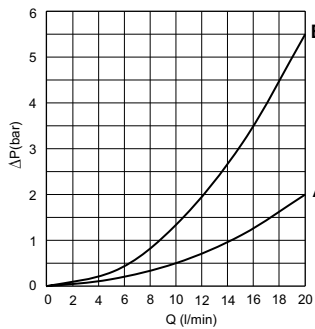


Connector to be ordered separately, see sect. 18

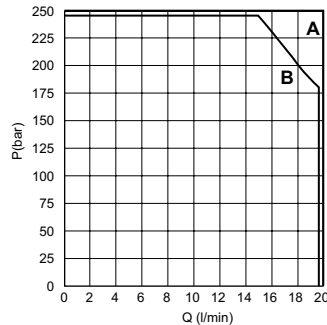
HYDRAULIC SYMBOL



PRESSURE DROPS



LIMIT OF USE



The electric valve is a 3-way 2-position directional electrically controlled valve.

Slight leakage is tolerated for this type of valve.

The valves work with DC coils whereas RAC coils with a connector with incorporated rectifier must be used for AC applications.

The sleeve is in phosphate steel. The plunger is in tempered and ground steel.

HYDRAULIC FEATURES

Max. working pressure	250 bar
Max. Flow	20 l/min
Max. excitation frequency	2 Hz
Duty cycle	100% ED
Hydraulic fluid	DIN 51524 Mineral oils
Fluid viscosity	10 ÷ 500 mm ² /s
Fluid temperature	-25°C ÷ 75°C
Ambient temperature	-25°C ÷ 60°C
Max. contamin. level class with filter	ISO 4406:1999 - class 19/17/14
Type of protection (in relation to the connector used)	IP 65
Weight	0.30 kg
Cartridge tightening torque	25 ÷ 30 Nm
Coil ring nut tightening torque	4.5 Nm
Cavity (3/4 - 16 UNF)	CD018003 (See section 15)

Flow	Pressure drops	Limit of use
2 → 1	A	A
2 → 3	B	A
3 → 2	B	B

Curve

The tests were carried out with the 27W solenoids at operating temperature, with a supply voltage 10% below nominal value and with a 40°C fluid temperature.

The fluid used is a mineral oil with viscosity of 46 mm²/s at 40°C.

ORDERING CODE

C3V 04 27 1D D S * ** 2

- C3V** = Solenoid valve 3 way / 2 positions (Series)
- 04** = 3/4 - 16 UNF (Size)
- 27** = 27W (A09) (Coil)
- 1D** = Hydraulic schema (Schema)
- D** = Seat (Seat type)
- S** = Without emergency (Version)
- *** = Variants
- **** = Variants
- 2** = Serial No.

Variants:

- 00** = No variants
- FL** = Coil with flying leads (250 mm) (1)
- LD** = Coil with flying leads (130 mm) and integrated diode (1)
- AJ** = AMP Junior coil (1)
- CX** = Deutsch coil and integrated diode (1)

Connector to be ordered separately, see sect. 18

DC 27W (A09)

L = 12 VDC	Z = 102 VDC RAC (2)
M = 24 VDC	X = 205 VDC RAC (3)
N = 48 VDC	W = Without coil (4)
P = 110 VDC	

Coils technical data, see sect. 17

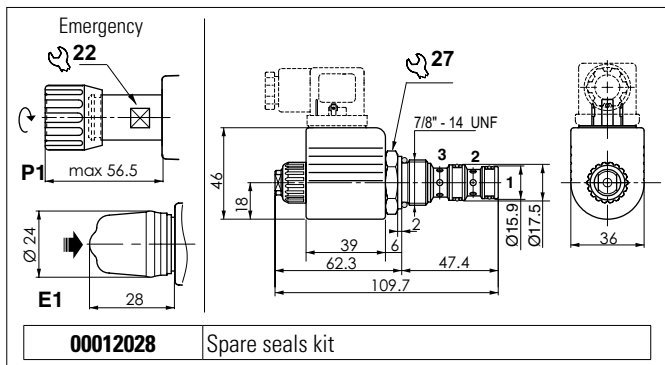
(1) Only voltages 12 VDC - 24 VDC

(2) With rectifier: 115 VAC/50Hz - 120 VAC/60Hz

(3) With rectifier: 230 VAC/50Hz - 240 VAC/60Hz

(4) Performance are guaranteed only using valves completed with BFP coil

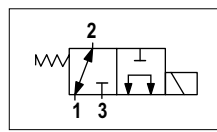
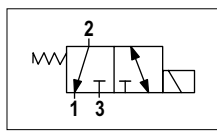
SOLENOID VALVES 3 WAY 2 POSITIONS



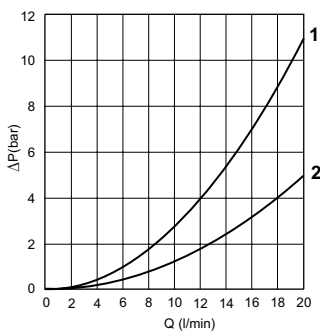
Connector to be ordered separately, see sect. 18

The electric valve is a 3-way 2-position directional electrically controlled valve.
Slight leakage is tolerated for this type of valve.
Available in 2 layouts.
The valves work with DC coils whereas RAC coils with a connector with incorporated rectifier must be used for AC applications.
The sleeve is in galvanised steel. The plunger is in tempered and ground steel.

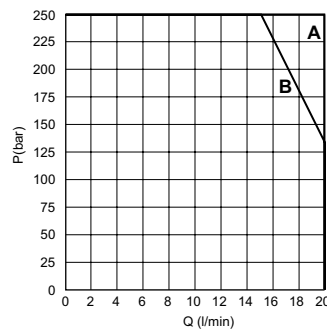
SPOOL HYDRAULIC SCHEME



PRESSURE DROPS



LIMIT OF USE



Spool type	Connections (pressure drops)					
	2→1	2→3	1→2	1→3	3→1	3→2
1D	2	1	—	—	—	1
1E	2	—	2	1	1	—

Curve No.

Spool type	Connections (limits of use)					
	2→1	2→3	1→2	1→3	3→1	3→2
1D	A	A	—	—	—	B
1E	A	—	B	B	A	—

Curve No.

HYDRAULIC FEATURES

Max. working pressure	250 bar
Max. Flow	20 l/min
Max. excitation frequency	2 Hz
Duty cycle	100% ED
Hydraulic fluid	DIN 51524 Mineral oils
Fluid viscosity	10 ÷ 500 mm ² /s
Fluid temperature	-25°C ÷ 75°C
Ambient temperature	-25°C ÷ 60°C
Max. contamin. level class with filter	ISO 4406:1999 - class 19/17/14
Type of protection (in relation to the connector used)	IP 65
Weight	0.37 kg
Cartridge tightening torque	45 ÷ 50 Nm
Emergency P1 tightening torque	6 ÷ 9 Nm
Coil ring nut tightening torque	4.5 Nm
Cavity (7/8 - 14 UNF)	CD019006 (See section 15)

The tests were carried out with the solenoids at operating temperature, with a supply voltage 10% below nominal value and with a 40°C fluid temperature.
The fluid used is a mineral oil with viscosity of 46 mm²/s at 40°C.

ORDERING CODE

C3V = Solenoid valve 3 way / 2 positions

03 = 27W Coil (A09)

****** = See "Spool scheme"

E = Seat

H = Hirschmann coil
A = AMP Junior coil (1)
F = Coil with flying leads (250 mm) (1)
I = Coil with flying leads (130 mm) and integrated diode (1)
D = Deutsch coil and integrated diode (1)

C3V 03 ** E * * ** 1

Series: C3V, Coil: 03, Spool: **, Seat type: E, Connection type: *, Voltage: *, Variants: **, Serial No.: 1

00 = No variants
E1 = Emergency button
P1 = Rotary emergency button

Connector to be ordered separately, see sect. 18

DC 27W (A09)

L = 12 VDC
M = 24 VDC
N = 48 VDC
P = 110 VDC

Z = 102 VDC RAC (2)
X = 205 VDC RAC (3)
W = Without coil (4)

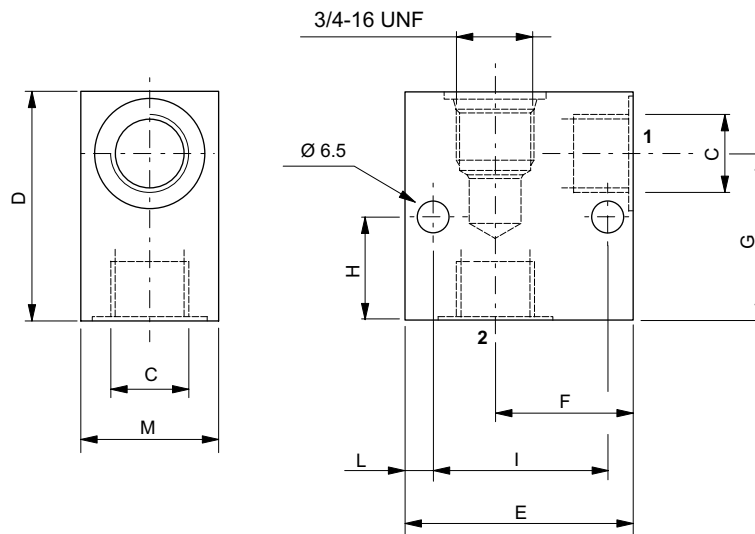
Coils technical data, see sect. 17

(1) Only voltages 12 VDC - 24 VDC

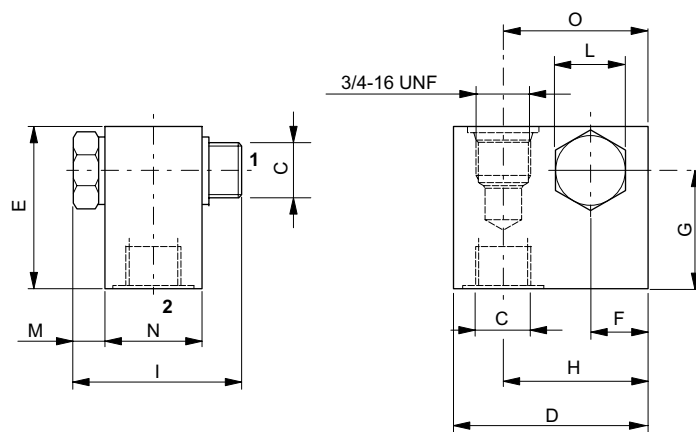
(2) With rectifier: 115 VAC/50Hz - 120 VAC/60Hz

(3) With rectifier: 230 VAC/50Hz - 240 VAC/60Hz

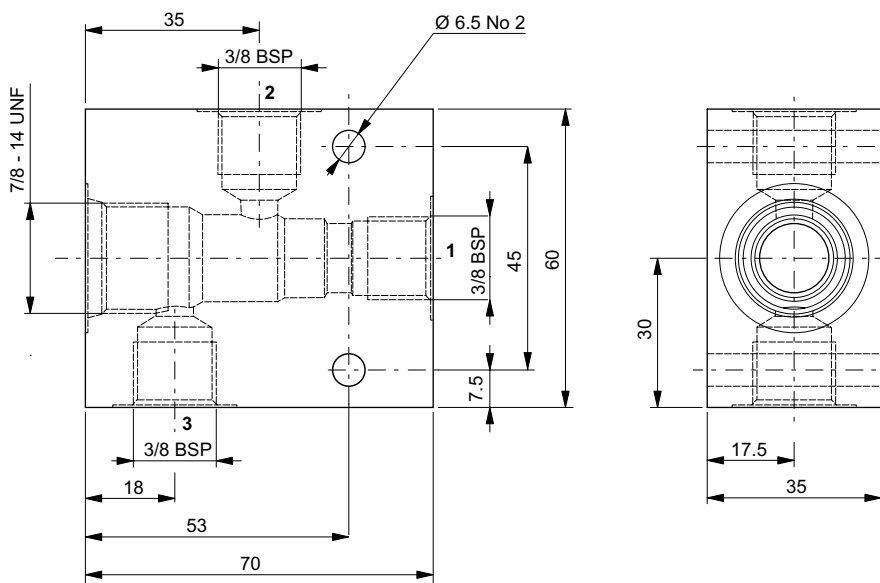
(4) Performance are guaranteed only using valves completed with BFP coil



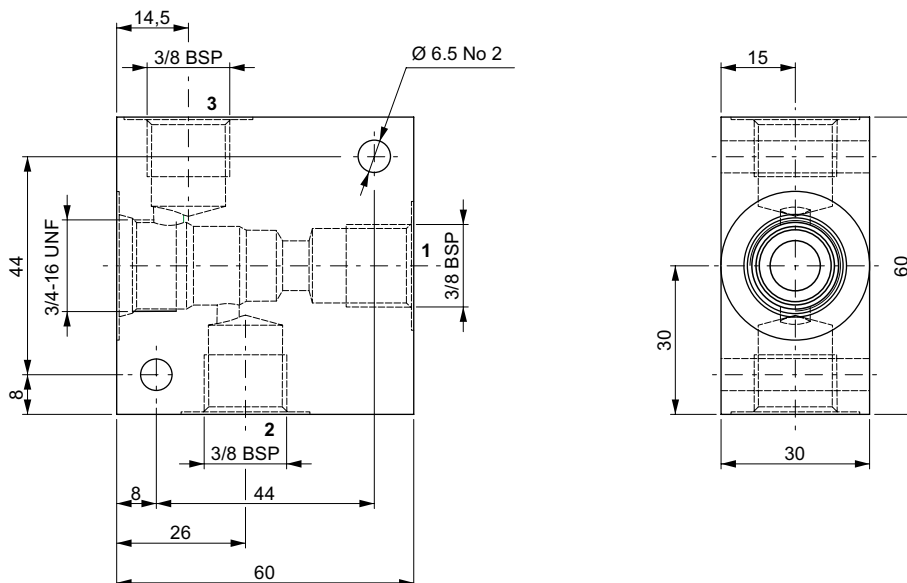
Code	C	D (mm)	E (mm)	F (mm)	G (mm)	H (mm)	I (mm)	L (mm)	M (mm)	Material	Cavity
F07100013	1/4 BSP	46	50	30,5	33	18	38	6	30	Alluminio EN AW 2011	CD018006
M18400061	3/8 BSP	55	60	38	41,25	25	45	7,5	30		
M18400071	1/2 BSP	60	60	35	41	6	48	6	40		



Code	C	D (mm)	E (mm)	F (mm)	G (mm)	H (mm)	I (mm)	L (mm)	M (mm)	N (mm)	O (mm)	Material	Cavity
17030532	3/8 BSP	50	50	16	32	35	51	22	9	30	34,5	Alluminium EN AW 2011	CD018006
V10500034	1/4 BSP	40	46	11	31	26	49	19	8	30	26		



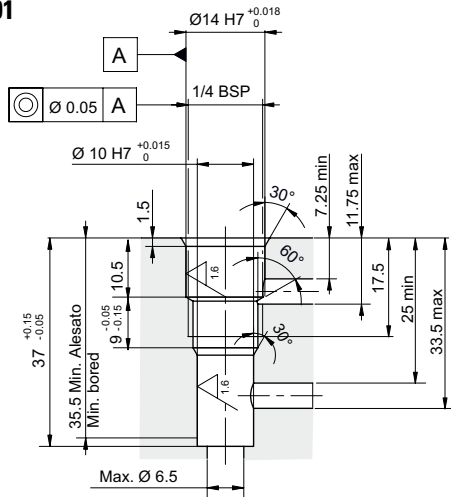
Code	Material	Cavity
M10850319	Alluminium - EN AW 2011	CD019006



Code	Material	Cavity
M10850206	Alluminium - EN AW 2011	CD018005

CA012001

1/4 BSP

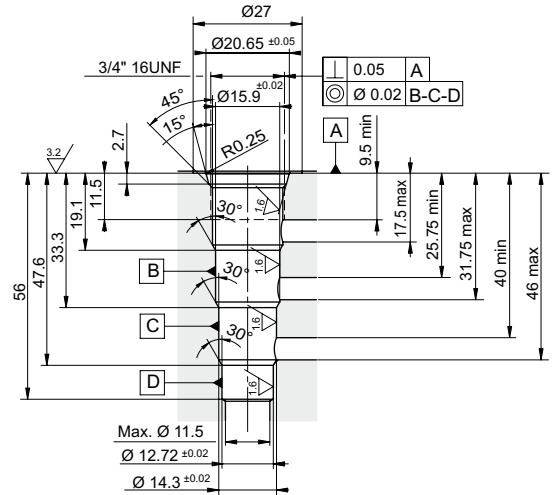


Plugs compatibility:

--	--	--	--	--

CD018001

3/4 16UNF

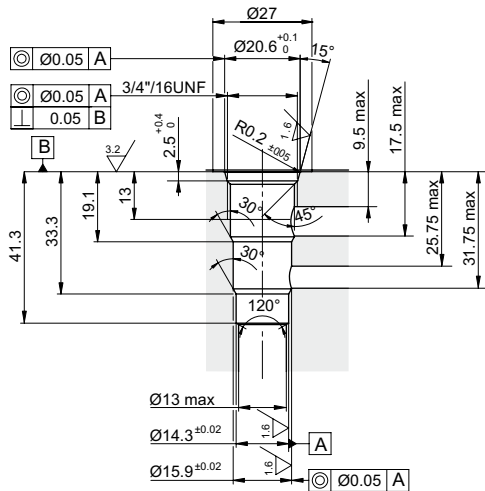


Plugs compatibility:

R78150114	R78150109	R78150111		
-----------	-----------	-----------	--	--

CD018003

3/4 16UNF

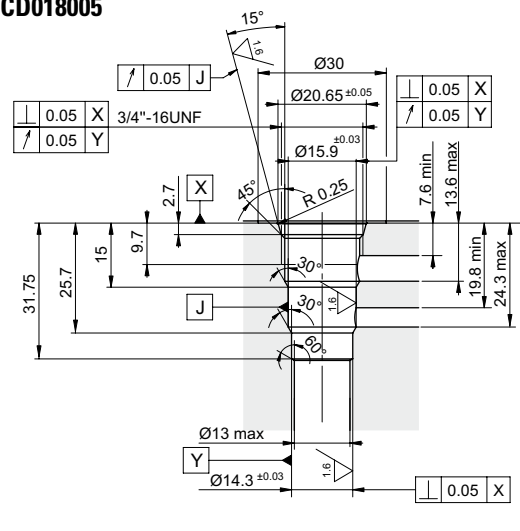


Plugs compatibility:

20001700	20001900			
----------	----------	--	--	--

CD018005

3/4 16UNF

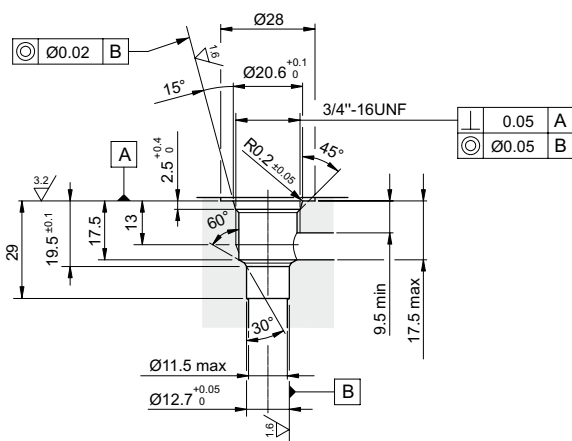


Plugs compatibility:

--	--	--	--	--

CD018006

3/4 16UNF

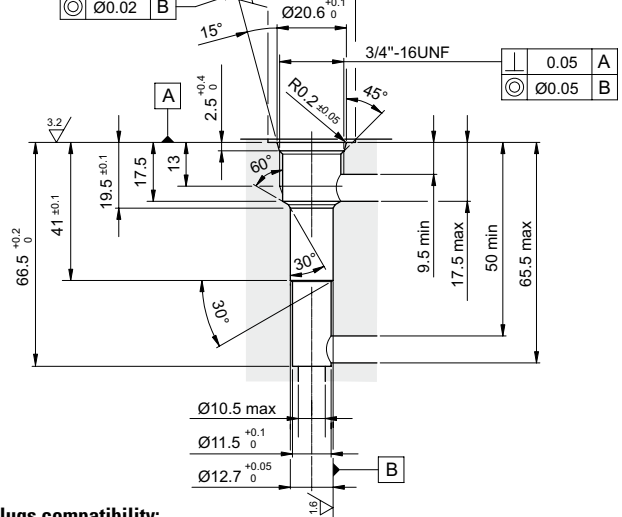


Plugs compatibility:

20001900	20001700	20003800	20009400	20018000
----------	----------	----------	----------	----------

CD018009

3/4 16UNF

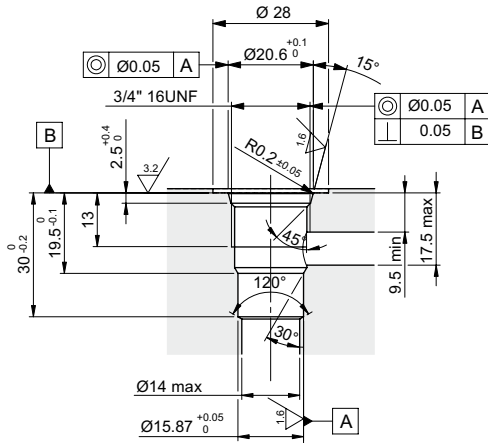


Plugs compatibility:

20001900	20001700	20003800	20009400	20018000
----------	----------	----------	----------	----------

CD018012

3/4 16UNF

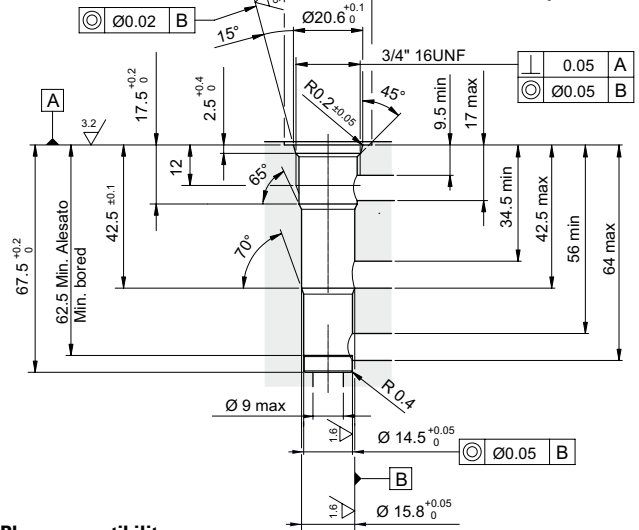


Plugs compatibility:

R78200A19	20001700	20001900		
-----------	----------	----------	--	--

CD018013

3/4 16UNF

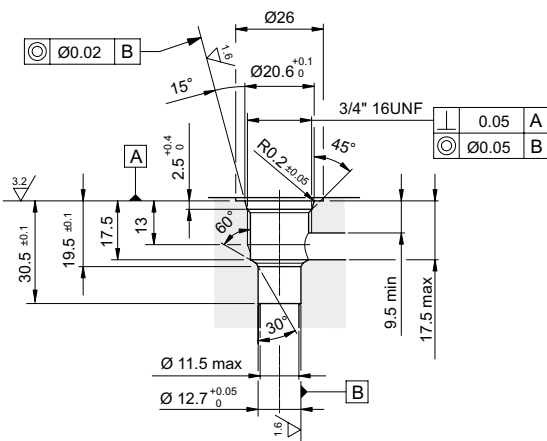


Plugs compatibility:

R78150100				
-----------	--	--	--	--

CD018014

3/4 16UNF

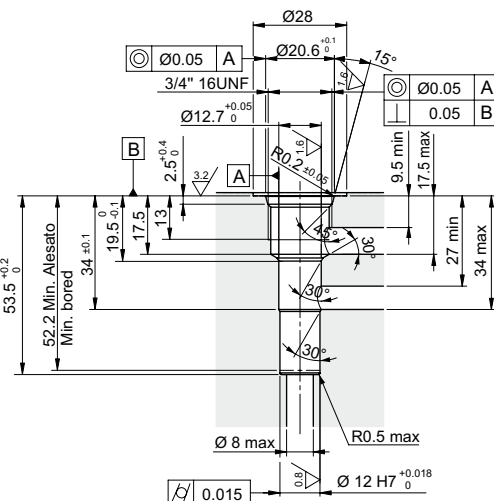


Plugs compatibility:

20001900	20001700	20003800	20009400	20018000
----------	----------	----------	----------	----------

CD018015

3/4 16UNF

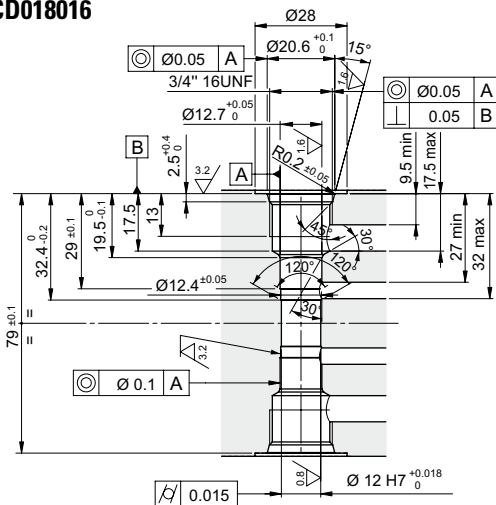


Plugs compatibility:

20018000	20001700	20001900	20003800	20009400
----------	----------	----------	----------	----------

CD018016

3/4 16UNF

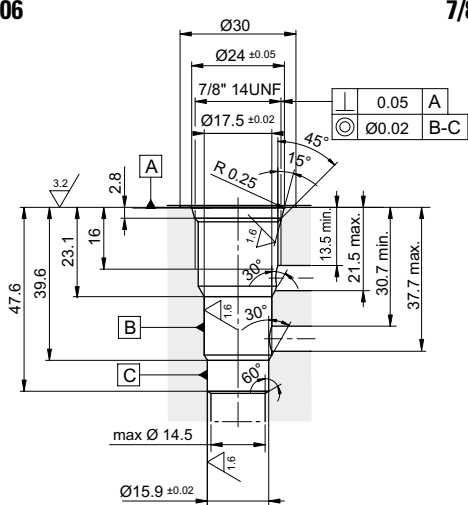


Plugs compatibility:

20018000	20001700	20001900	20003800	20009400
----------	----------	----------	----------	----------

CD019006

7/8 14UNF

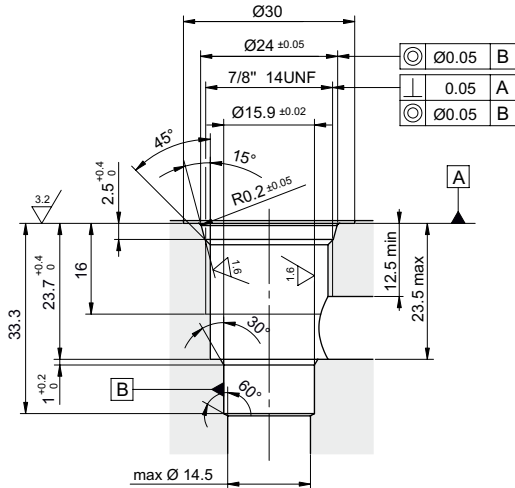


Plugs compatibility:

--	--	--	--	--

CD019007

7/8 14UNF



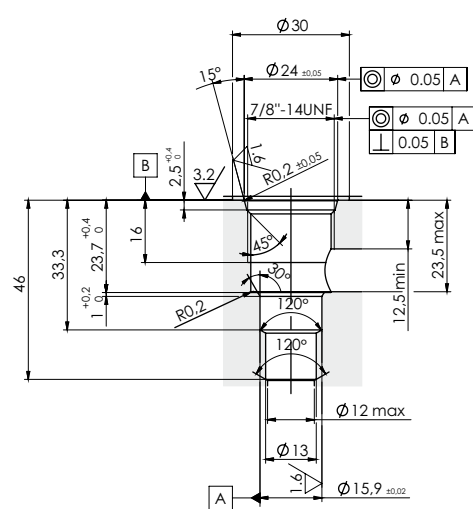
◎ $\text{Ø}0.05$	B
⊥ 0.05	A
◎ $\text{Ø}0.05$	B

Plugs compatibility:

--	--	--	--	--

CD019011

7/8 14UNF



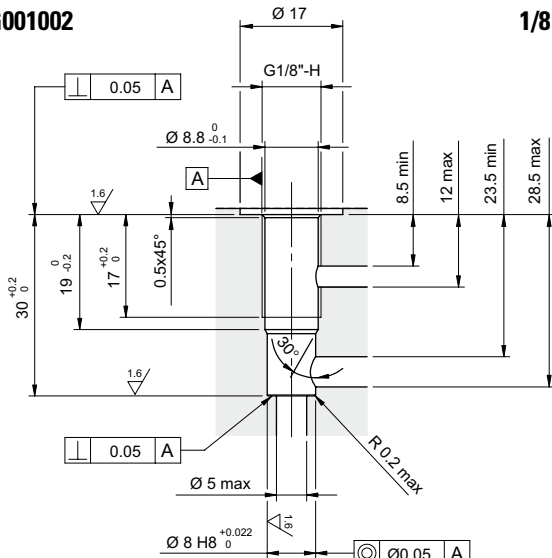
◎ $\text{Ø}0.05$	A
◎ $\text{Ø}0.05$	A
⊥ 0.05	B

Plugs compatibility:

--	--	--	--	--

CG001002

1/8 BSP



⊥ 0.05	A
-----------------	---

⊥ 0.05	A
-----------------	---

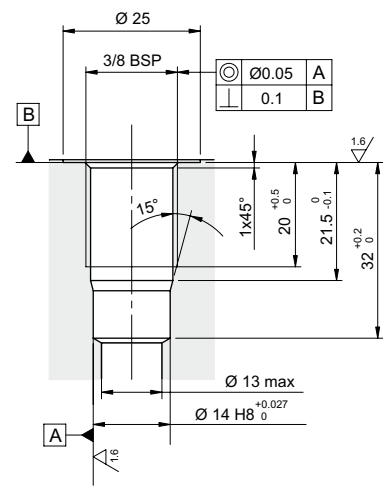
◎ $\text{Ø}0.05$	A
---------------------------	---

Plugs compatibility:

--	--	--	--	--

CG003004

3/8 BSP



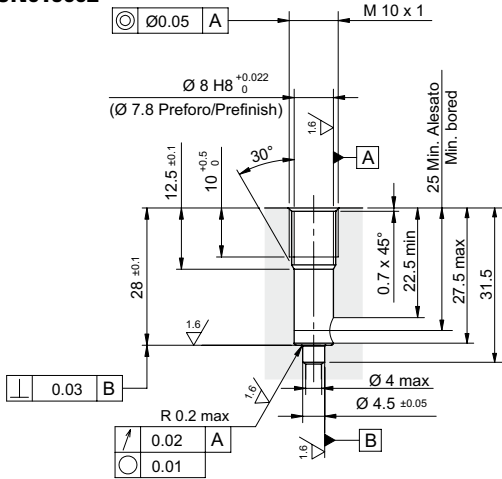
◎ $\text{Ø}0.05$	A
⊥ 0.1	B

Plugs compatibility:

--	--	--	--	--

CN019002

M10X1



◎ $\text{Ø}0.05$	A
---------------------------	---

◎ $\text{Ø}8\text{ H}8^{+0.022}_0$	($\text{Ø}7.8$ Preforo/Prefinish)
---	------------------------------------

⊥ 0.03	B
-----------------	---

⊥ 0.02	A
-----------------	---

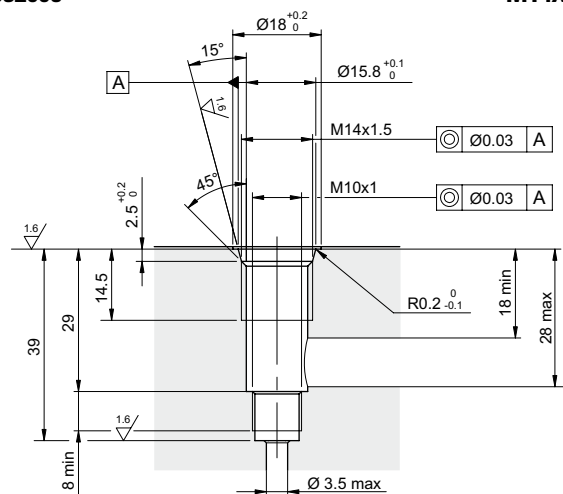
○ 0.01	
-----------------	--

Plugs compatibility:

--	--	--	--	--

CN032005

M14X1.5

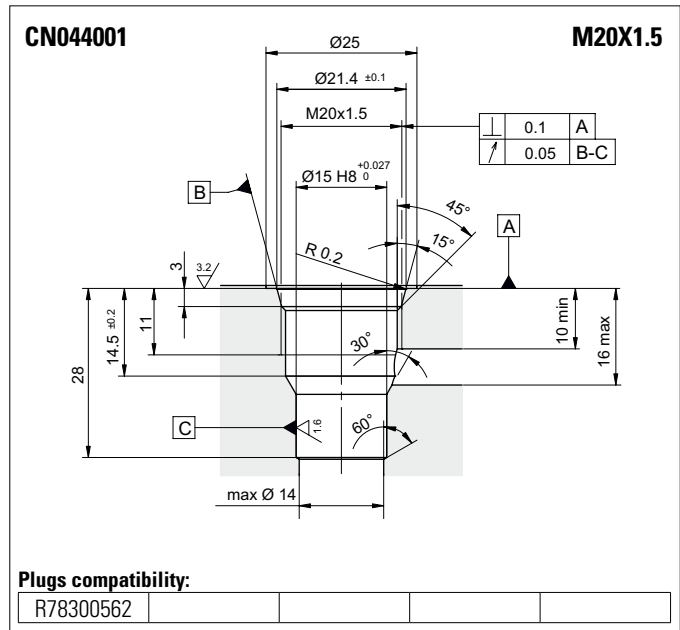
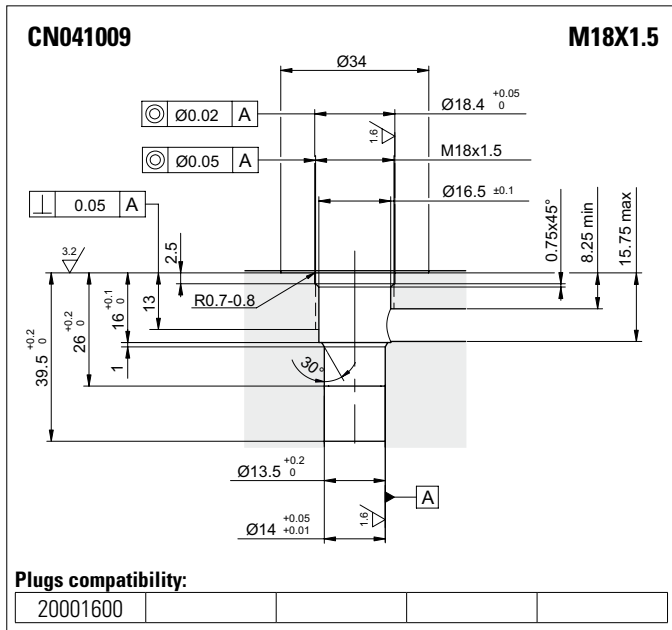
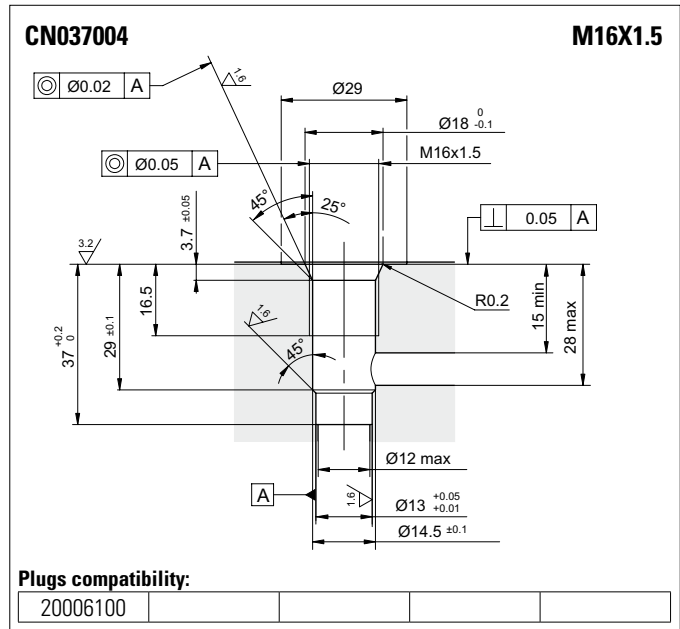
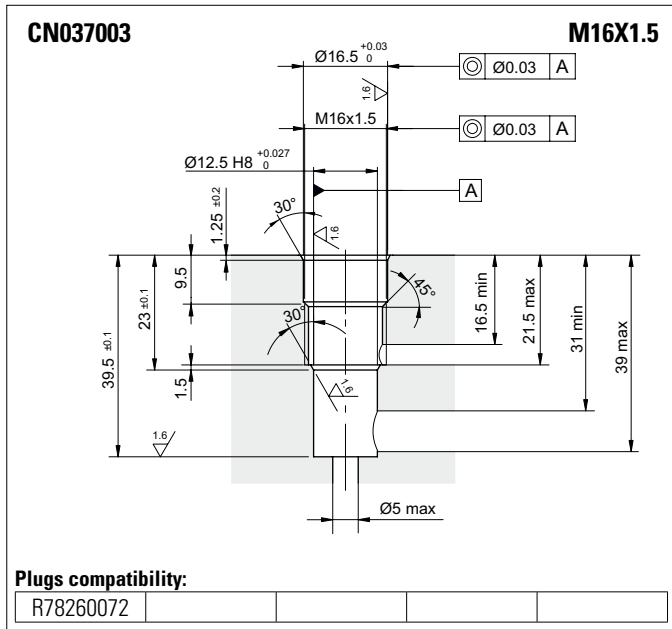
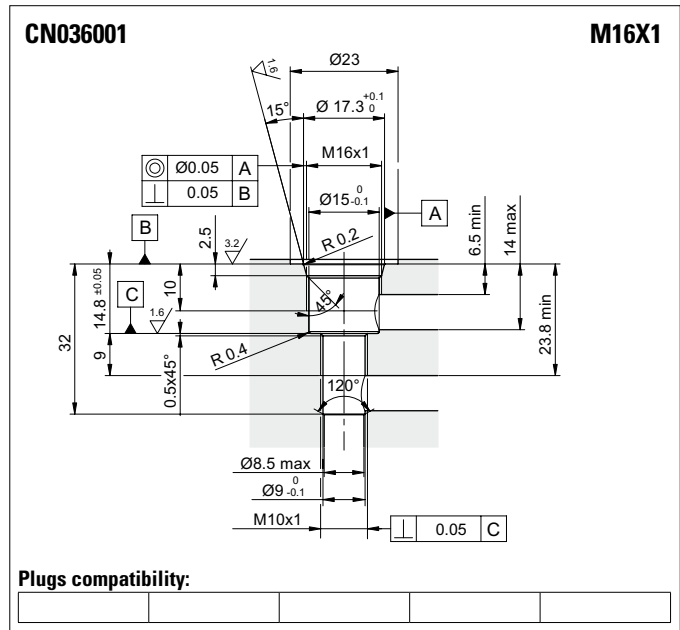
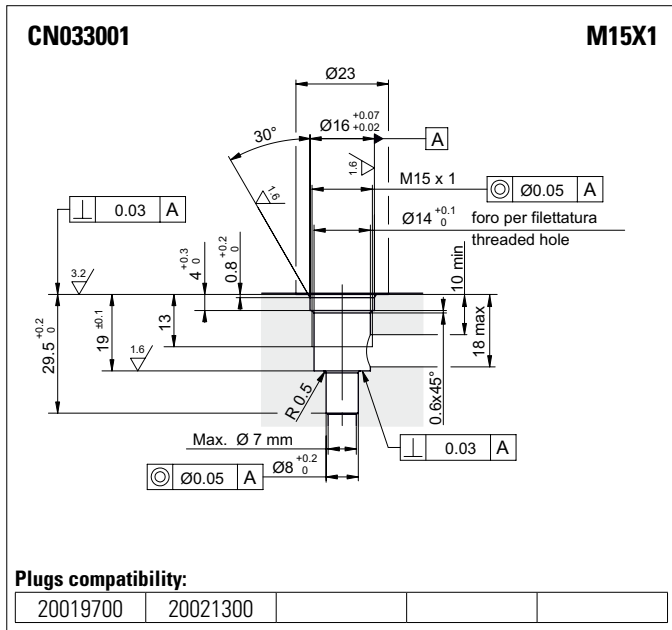


◎ $\text{Ø}0.03$	A
---------------------------	---

◎ $\text{Ø}0.03$	A
---------------------------	---

Plugs compatibility:

--	--	--	--	--



CN047002 **M22X1.5**

Plugs compatibility:

R78050014			
-----------	--	--	--

CN047003 **M22X1.5**

Plugs compatibility:

R78400A17			
-----------	--	--	--

CN051001 **M24X2**

Plugs compatibility:

R78300564			
-----------	--	--	--

CN059001 **M27X1.5**

Plugs compatibility:

--	--	--	--

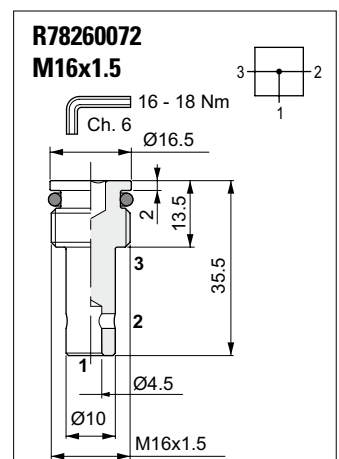
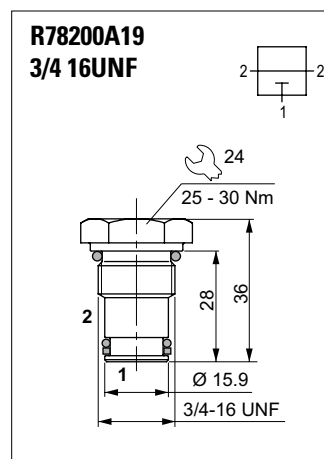
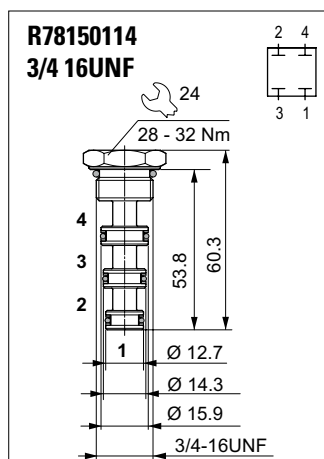
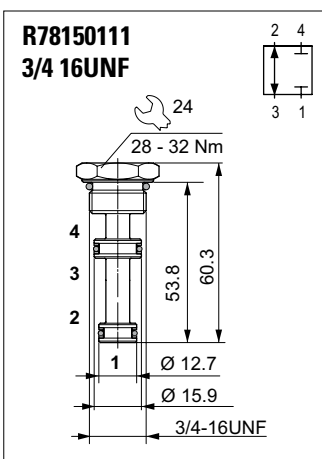
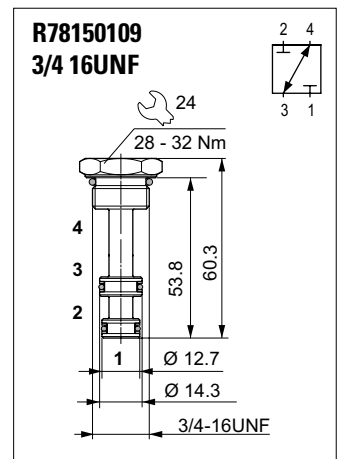
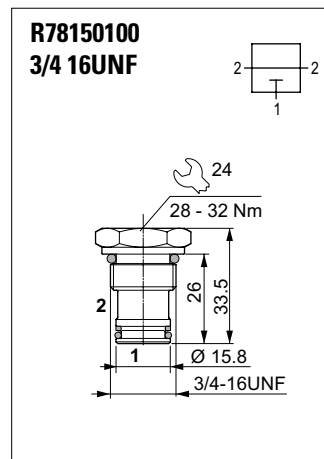
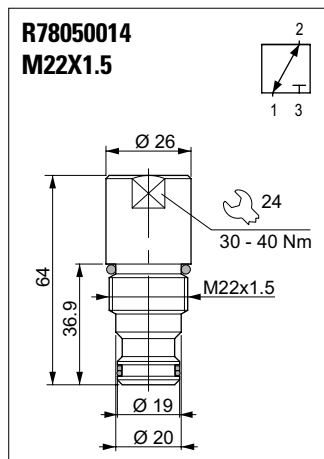
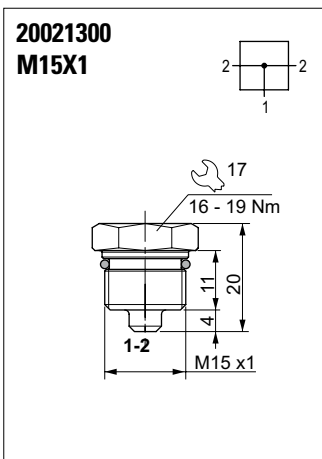
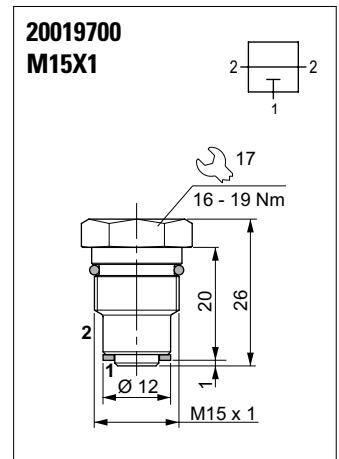
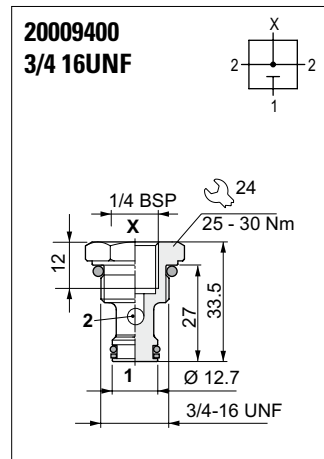
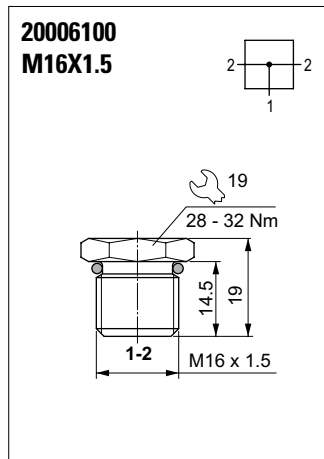
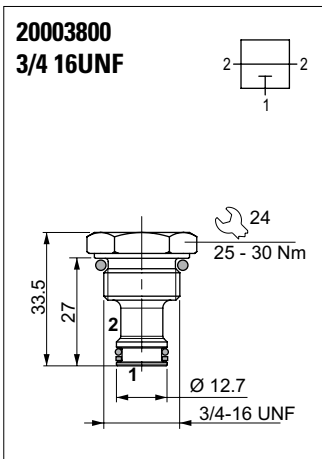
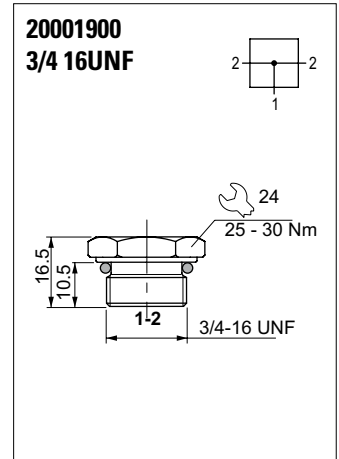
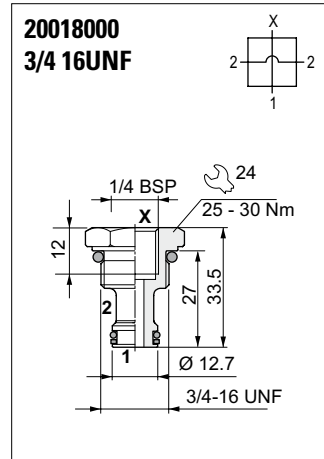
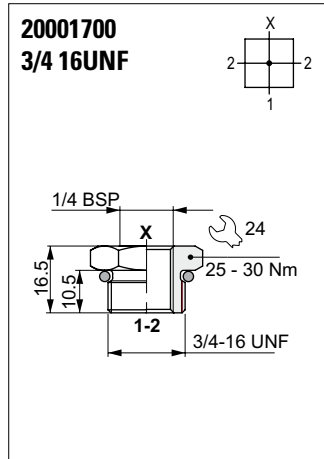
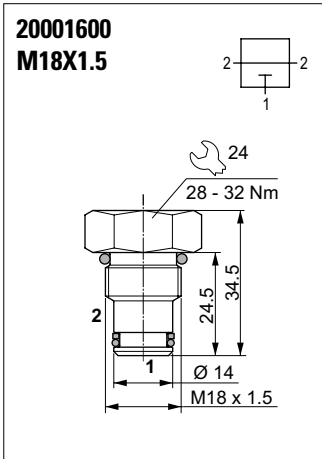
CN070001 **M33X2**

Plugs compatibility:

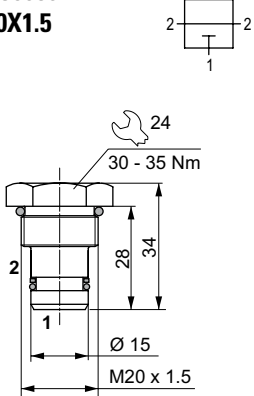
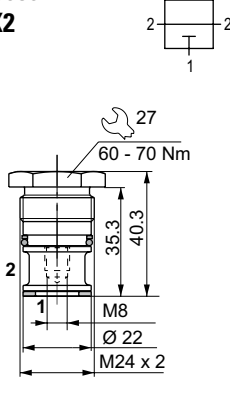
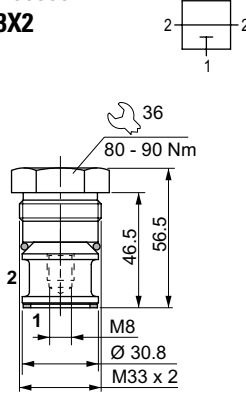
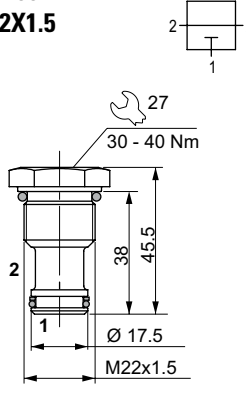
R78400568			
-----------	--	--	--

Plugs compatibility:

--	--	--	--



STANDARD PLUGS

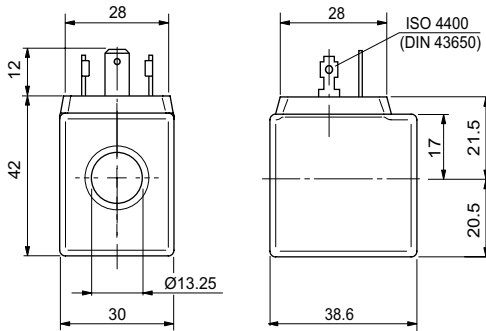
<p>R78300562 M20X1.5</p> 	<p>R78300564 M24X2</p> 	<p>R78400568 M33X2</p> 	<p>R78400A17 M22X1.5</p> 

C30 - COILS 18W

Type of protection	IP 65
Number of cycle	18000/h
Supply tolerance	±10%
Ambient temperature	-30°C ÷ 60°C

Duty cycle	100% ED
Insulation class wire	H
Weight	0.141 kg

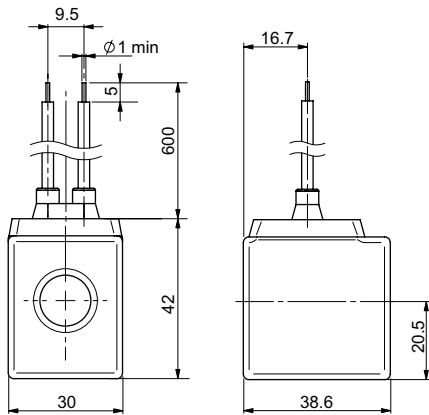
Standard (Hirschmann ISO 4400 DIN43650)



Coil		Max winding temperature (1)	Rated power	Resistance ±7% (2)	Spare code
Code	Voltage				
L	12 VDC	135 °C	18 W	7.7 Ω	M14000001
M	24 VDC	135 °C	18 W	31 Ω	M14000002
N	48 VDC	135 °C	18 W	116 Ω	M14000003
2	21.6 VDC	135 °C	18 W	27 Ω	M14000009
Z	102 VDC (3)	120 °C	18 W	578 Ω	M14000006
X	205 VDC (3)	120 °C	18 W	2627 Ω	M14000007
A	24 VAC/50 Hz	125 °C	35 VA	5.3 Ω	M14001002
J	115 VAC/50 Hz (3)	125 °C	35 VA	108 Ω	M14001004
I	230 VAC/50 Hz (3)	125 °C	35 VA	438 Ω	M14001005
F	24 VAC/60 Hz	125 °C	35 VA	3.8 Ω	M14001012
C	110 VAC/60 Hz (3)	125 °C	35 VA	92 Ω	M14001014
D	220 VAC/60 Hz (3)	125 °C	35 VA	375 Ω	M14001015

(1) Ambient temperature 25 °C - (2) Ambient temperature 20 °C

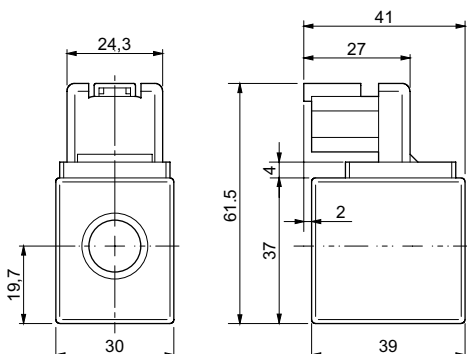
(3) The european low voltage directive is applied to electrical equipments used at a nominal voltages between 50 and 1000 VAC or 75 and 1500 VDC. In conformity with the low directive each part of the manifold or the subplate on which the valve is mounted should be connected to a protective earth with a resistance less than 0.1 ohms.



With wires (variant FK)

Coil		Max winding temperature (1)	Rated power	Resistance ±7% (2)	Spare code
Code	Voltage				
L	12 VDC	135 °C	18 W	7.7 Ω	M14000101
M	24 VDC	135 °C	18 W	31 Ω	M14000102

(1) Ambient temperature 25 °C - (2) Ambient temperature 20 °C



DEUTSCH and bidirectional integrated diode (variant CX)

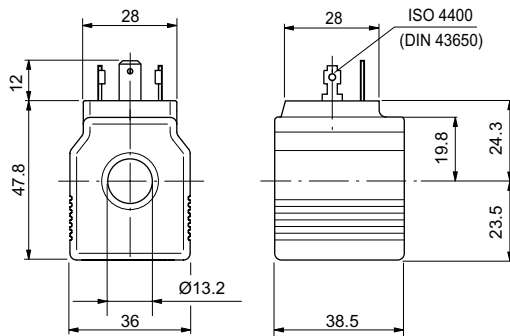
Coil		Max winding temperature (1)	Rated power	Resistance ±7% (2)	Spare code
Code	Voltage				
L	12 VDC	135 °C	18 W	7.7 Ω	M14760001
M	24 VDC	135 °C	18 W	31 Ω	M14760002

(1) Ambient temperature 25 °C - (2) Ambient temperature 20 °C

C36 - COILS 22W

Type of protection	IP 65
Number of cycle	18000/h
Supply tolerance	±10%
Ambient temperature	-30°C ÷ 60°C

Duty cycle	100% ED
Insulation class wire	H
Weight	0.2 kg

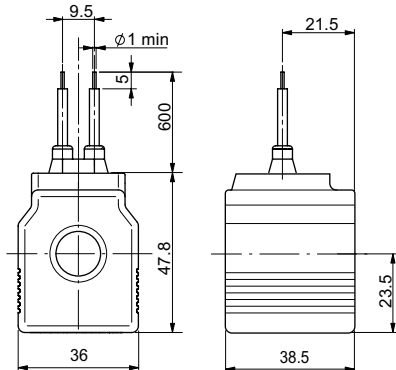


Standard (Hirschmann ISO 4400 DIN43650)

Coil		Max winding temperature (1)	Rated power	Resistance ±7% (2)	Spare code
Code	Voltage				
L	12 VDC	135 °C	22 W	6.3 Ω	M14040001
4	14 VDC	135 °C	22 W	8.9 Ω	M14040009
M	24 VDC	135 °C	22 W	25.6 Ω	M14040002
V	28 VDC	135 °C	22 W	32.8 Ω	M14040008
N	48 VDC	135 °C	22 W	102 Ω	M14040003
2	21.6 VDC	135 °C	22 W	20.2 Ω	M14040000
Z	102 VDC (3)	135 °C	22 W	467.85 Ω	M14040006
X	205 VDC (3)	135 °C	22 W	1954 Ω	M14040007

(1) Ambient temperature 25 °C - (2) Ambient temperature 20 °C

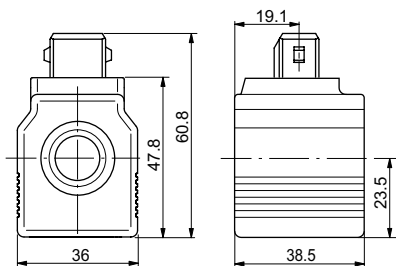
(3) The european low voltage directive is applied to electronical equipments used at a nominal voltages between 50 and 1000 VAC or 75 and 1500 VDC. In conformity with the low directive each part of the manifold or the subplate on which the valve is mounted should be connected to a protective earth with a resistance less than 0.1 ohms.



With wires (variant FK)

Coil		Max winding temperature (1)	Rated power	Resistance ±7% (2)	Spare code
Code	Voltage				
L	12 VDC	135 °C	22 W	6.3 Ω	M14040101
4	14 VDC	135 °C	22 W	8.9 Ω	M14040109
M	24 VDC	135 °C	22 W	25.6 Ω	M14040102
V	28 VDC	135 °C	22 W	32.8 Ω	M14040108

(1) Ambient temperature 25 °C - (2) Ambient temperature 20 °C



AMP Junior (variant AJ)

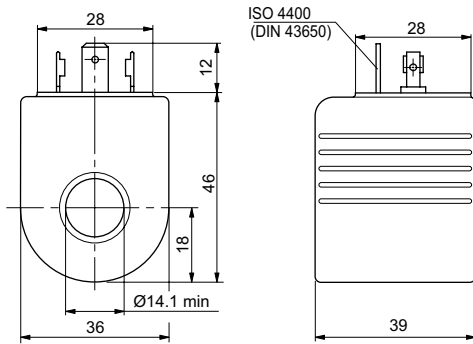
Coil		Max winding temperature (1)	Rated power	Resistance ±7% (2)	Spare code
Code	Voltage				
L	12 VDC	135 °C	22 W	6.3 Ω	M14730001
M	24 VDC	135 °C	22 W	25.6 Ω	M14730002

(1) Ambient temperature 25 °C - (2) Ambient temperature 20 °C

A09 - COILS 27W

Type of protection	IP 65
Number of cycle	18000/h
Supply tolerance	±10%
Ambient temperature	-30°C ÷ 60°C

Duty cycle	100% ED
Insulation class wire	H
Weight	0.215 kg

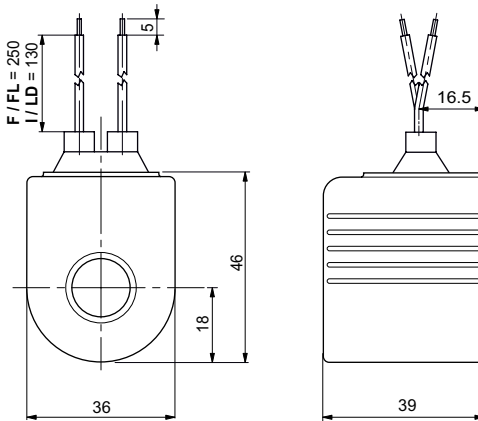


Hirschmann ISO 4400 DIN43650 (connection H)

Coil		Max winding temperature (1)	Rated power	Resistance ±7% (2)	Spare code
Code	Voltage				
L	12 VDC	123 °C	27 W	5.3 Ω	M14310001
M	24 VDC	123 °C	27 W	21.3 Ω	M14310002
N	48 VDC	123 °C	27 W	85.3 Ω	M14310003
Z	102 VDC (3)	123 °C	27 W	392 Ω	M14310008
P	110 VDC (3)	123 °C	27 W	448 Ω	M14310005
X	205 VDC (3)	123 °C	27 W	1577 Ω	M14310009

(1) Ambient temperature 25 °C - (2) Ambient temperature 20 °C

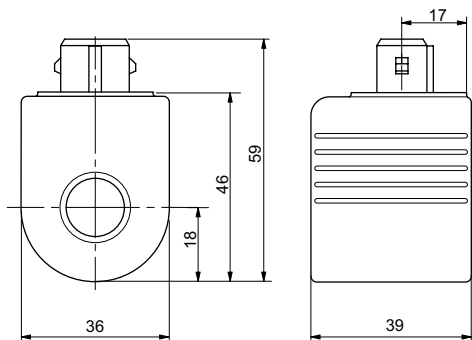
(3) The european low voltage directive is applied to electronical equipments used at a nominal voltages between 50 and 1000 VAC or 75 and 1500 VDC. In conformity with the low directive each part of the manifold or the subplate on which the valve is mounted should be connected to a protective earth with a resistance less than 0.1 ohms.



With wires and integrated bidirectional diode (connection F-I / variants FL-LD)

Bobina		Wires (mm)	Max winding temperature (1)	Rated power	Resistance ±7% (2)	Spare code
Codice	Tensione					
L	12 VDC	F = 250	123 °C	27 W	5.3 Ω	M14070011
M	24 VDC	F = 250	123 °C	27 W	21.3 Ω	M14070012
L	12 VDC	I = 130	123 °C	27 W	5.3 Ω	M14330001
M	24 VDC	I = 130	123 °C	27 W	21.3 Ω	M14330002

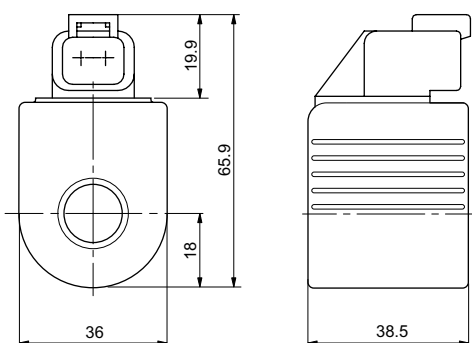
(1) Ambient temperature 25 °C - (2) Ambient temperature 20 °C



AMP Junior (connection A / variant AJ)

Coil		Max winding temperature (1)	Rated power	Resistance ±7% (2)	Spare code
Code	Voltage				
L	12 VDC	123 °C	27 W	5.3 Ω	M14320001
M	24 VDC	123 °C	27 W	21.3 Ω	M14320002

(1) Ambient temperature 25 °C - (2) Ambient temperature 20 °C



Deutsch + bidirectional diode - DT04-2P (connection D / variant CX)

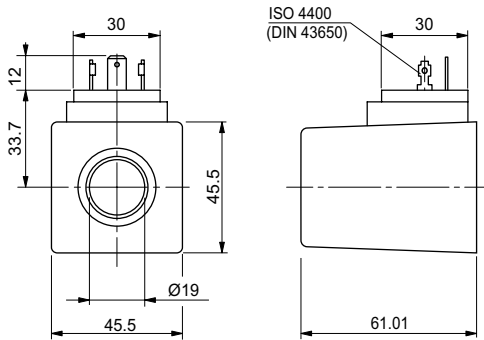
Coil		Max winding temperature (1)	Rated power	Resistance ±7% (2)	Spare code
Code	Voltage				
L	12 VDC	123 °C	27 W	5.3 Ω	M14340001
M	24 VDC	123 °C	27 W	21.3 Ω	M14340002

(1) Ambient temperature 25 °C - (2) Ambient temperature 20 °C

D12 - COILS 30W

Type of protection	IP 65
Number of cycle	18000/h
Supply tolerance	±10%
Ambient temperature	-30°C ÷ 60°C

Duty cycle	100% ED
Insulation class wire	H
Weight	0.2 kg

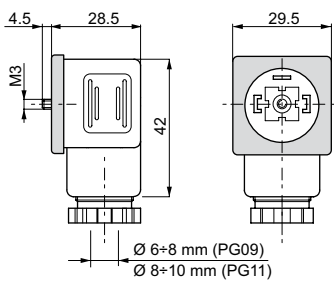


Standard (Hirschmann ISO 4400 DIN43650)

Coil		Max winding temperature (1)	Rated power	Resistance ±7% (2)	Spare code
Code	Voltage				
L	12 VDC	108 °C	30 W	4.7 Ω	M14100010
M	24 VDC	108 °C	30 W	18.8 Ω	M14100011

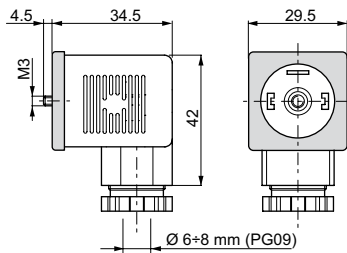
(1) Ambient temperature 25 °C - (2) Ambient temperature 20 °C

CONNECTORS FOR CONTROL VALVES IN ACCORDANCE WITH DIN 43650 / ISO 4400



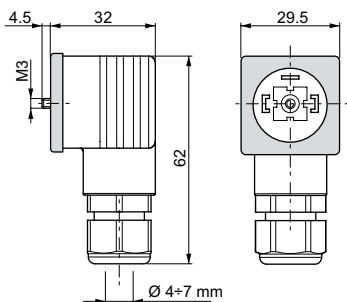
Connector	Protection level	Type	Cable gland	Code
Standard	IP65	Black color	PG09	V86 05 0002
		Grey color	PG09	V86 05 0004
		Black color	PG11	V86 05 0006
		Grey color	PG11	V86 05 0008
Lens cover with pilot light (1)	IP65	12 VAC/VDC	PG09	V86 10 0018
		24 VAC/VDC	PG09	V86 10 0012
		115 VAC/VDC	PG09	V86 10 0020
		230 VAC/VDC	PG09	V86 10 0022

(1) do not use for proportional versions



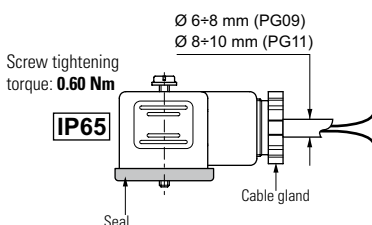
Connector	Protection level	Type	Cable gland	Code
With rectifier (1) Inlet voltage 12÷230 VAC Outlet voltage 9÷205 VDC	IP65	Black color	PG09	V86 20 0002
		Grey color	PG09	V86 20 0004
Lens cover with pilot light and rectifier (1) Inlet voltage 12÷230 VAC Outlet voltage 9÷205 VDC	IP65	12 VAC	PG09	V86 25 0018
		24 VAC	PG09	V86 25 0019
		48 VAC	PG09	V86 25 0020
		115 VAC	PG09	V86 25 0021
		230 VAC	PG09	V86 25 0022

(1) do not use for proportional versions



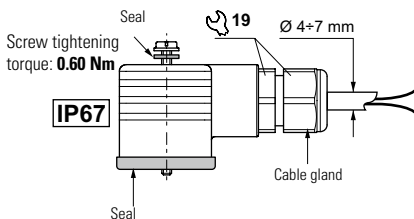
Connector	Protection level	Type	Cable gland	Code
With protection level IP67	IP67	Black color	—	V86 28 0001
		Grey color	—	V86 28 0002

Electrical features of connectors

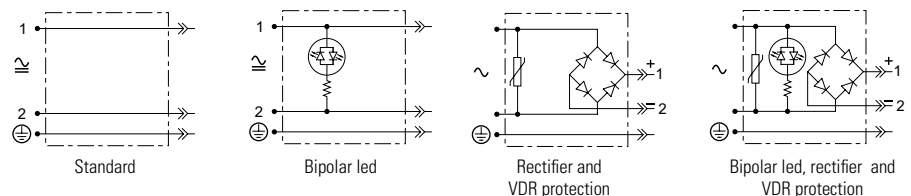


Description	IP65	IP67
AC rated voltage	Max. 250 V	Max. 250 V
DC rated voltage	Max. 300 V	Max. 300 V
Pin contact nominal current	10A	10A
Pin contact max. current	16A	16A
Max. section cable	1.5 mm ²	1.5 mm ²
Cable gland PG09 - M16x1,5	Ø cable 6 ÷ 8 mm	Ø cable 4 ÷ 7 mm
Cable gland PG11 - G 1/2" - M20x1,5	Ø cable 8 ÷ 10 mm	—
Protection level	IP65 EN60529	IP67 EN60529
Insulation class	VDE 0110-1/89	VDE 0110-1/89
Operating temperature	-40°C ÷ 90°C	-20°C ÷ 80°C

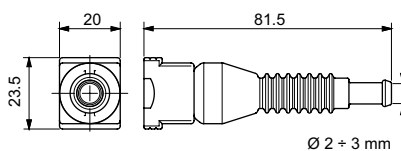
The degrees of protection indicate is guaranteed only if the connectors were properly mounted with his original seals.



Electrical circuits



AMP JUNIOR CONNECTORS



Connector	Type	Cable section	Pin contact max current	Code
AMP Junior connector Timer 2 contact	Black color	0,5 ÷ 1,5 mm ²	10A	RKRC0808000