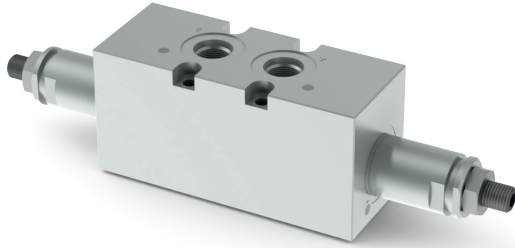


# CM3M

## MODULAR MAX. PRESSURE BANKABLE VALVES



Modular max. pressure bankable valves CM3M with direct acting pressure relief valves CMP10

- Pressure range 1 ÷ 320 bar, manual adjustment with a grub screw.
- All versions can accept three types of springs with calibrated ranges as shown in the specifications. For the minimum permissible setting pressure depending on the spring, see minimum pressure setting curve.
- Available single on A or B lines, and double on AB lines, see hydraulic symbols
- Cast iron zinc plated body.

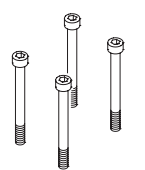
### ORDERING CODE

<b>CM</b>	Modular bankable valve
<b>3</b>	Size
<b>M</b>	Maximum pressure valve
<b>*</b>	Port sizes: 1 = G3/8" 2 = 9/16" - 18UNF
<b>**</b>	Adjustment on the lines: A / B / AB
<b>C</b>	Type of adjustment Grub screw
<b>*</b>	Setting ranges at port A 0 = max. 15 bar (neutral spring) 1 = max. 50 bar (white spring) 2 = max. 150 bar (yellow spring) 3 = max. 320 bar (green spring)
<b>*</b>	Setting ranges at port B (Omit if the setting is same as that at port A) 0 = max. 15 bar (neutral spring) 1 = max. 50 bar (white spring) 2 = max. 150 bar (yellow spring) 3 = max. 320 bar (green spring)
<b>**</b>	00 = No variant V1 = Viton
<b>2</b>	Serial No.

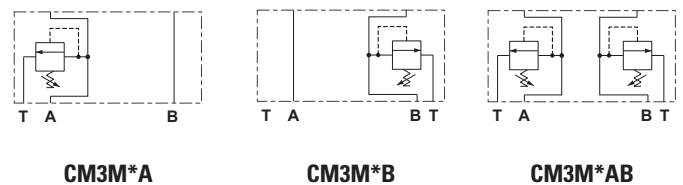
### FEATURES

Max. operating pressure	320 bar
Setting ranges:	
spring 0	15 bar
spring 1	50 bar
spring 2	150 bar
spring 3	320 bar
Max. flow	40 l/min
Hydraulic fluids	Mineral oils DIN 51524
Fluid viscosity	10 ÷ 500 mm <sup>2</sup> /s
Fluid temperature	-20°C ÷ 75°C
Ambient temperature	-20°C ÷ 60°C
Max. contamination level (filtro β <sub>25</sub> ≥ 75)	ISO 4406:1999: classe 21/19/16 NAS 1638: classe 10
Weight CM3MA/B	1.66 kg
Weight CM3MAB	1.68 kg

### Accessories

 Tightening torque <b>5 Nm</b>	Elements	Code screws (x 4)	Type UNI 5931 - 8.8
	<b>CM3M</b>	<b>Q26074073</b>	M5x55
<b>CM3M + V0800005</b>	<b>Q26074251</b>	M5x100	

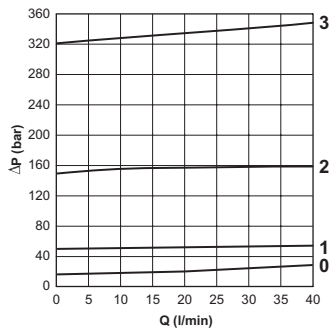
### HYDRAULIC SYMBOLS



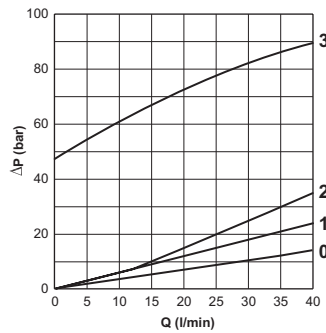
# CM3M

## DIAGRAMS

**PRESSURE - FLOW RATE**



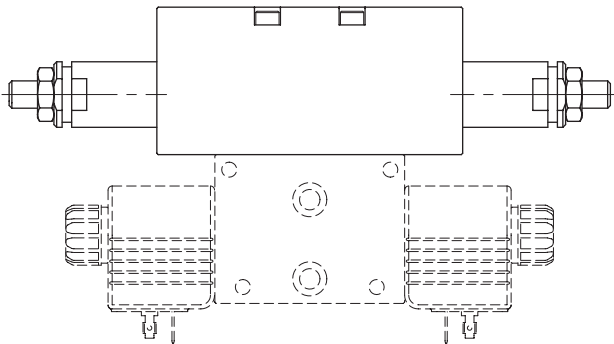
**MINIMUM SETTING PRESSURE**



Curve 0,1,2,3:  
setting ranges valve

The fluid used is a mineral based oil with a viscosity of 46 mm<sup>2</sup>/s at 40°C. The tests have been carried out at with a fluid of a 40°C.

## MOUNTING EXAMPLE WITH CDC3 VALVE



## OVERALL DIMENSIONS

