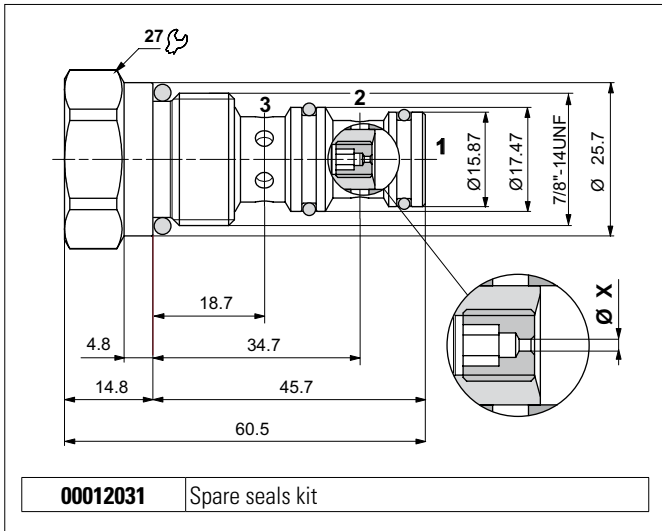


PRIORITY FLOW CONTROL VALVE



The priority flow control valve sends a constant flow from branch 1, first to priority branch 3 and then the remaining flow to overflow branch 2, regardless of the downstream oil pressure.

Both branches 2 and 3 can be pressurised.

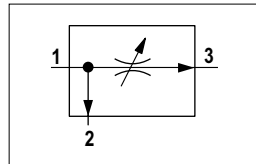
The flow is reduced by the control hole X which determines the flow rate.

It has a galvanised steel body. The compensator plunger is in tempered and ground steel.

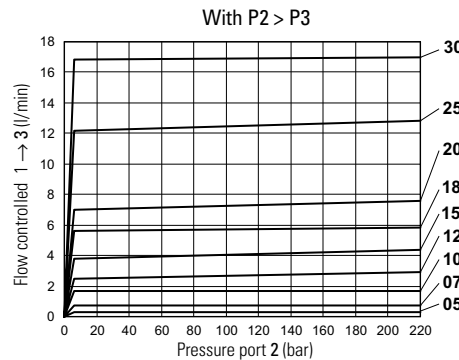
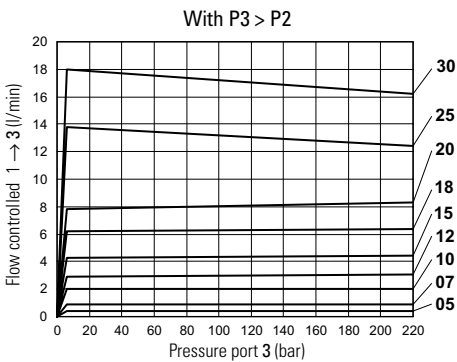
HYDRAULIC FEATURES

Max. working pressure	210 bar
ΔP of regulation	6.1 ÷ 6.7 bar
Input max. Flow	50 l/min
Control max. Flow	17 l/min
Hydraulic fluid	DIN 51524 Mineral oils
Fluid viscosity	10 ÷ 500 mm ² /s
Fluid temperature	-25°C ÷ 75°C
Ambient temperature	-25°C ÷ 60°C
Max. contamin. level class with filter	ISO 4406:1999 - class 19/17/14
Weight	0.2 kg
Tightening torque	30 ÷ 40 Nm
Cavity (7/8 - 14 UNF)	CD019006 (See section 15)

HYDRAULIC SYMBOL



FLOW CONTROLLED



Fluid used: mineral based oil with viscosity 46 mm²/s at 40°C.
The regulated flow rate depends on the inlet flow rate and the oil viscosity.

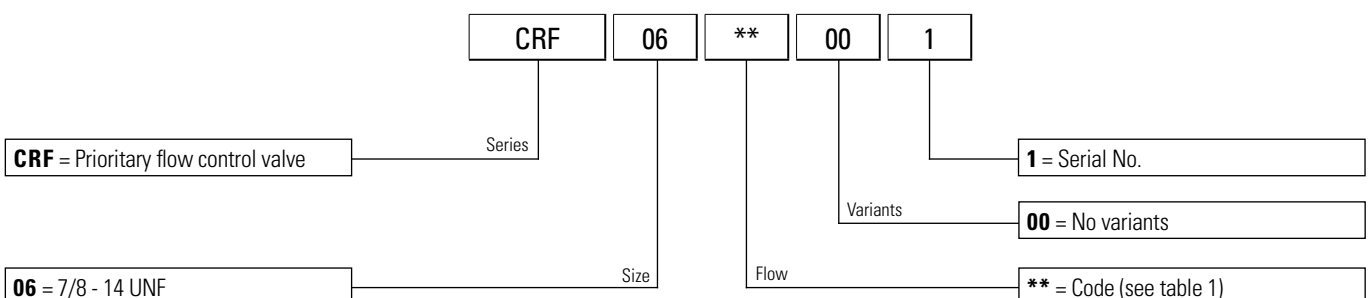
Table 1

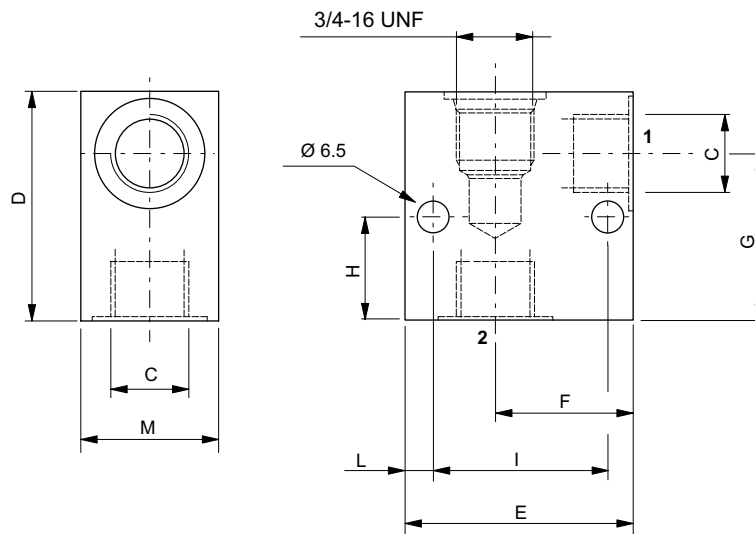
Code	$\varnothing X$ (mm) **	Nominal flow (l/min) *
05	0.5	0.3
07	0.7	0.7
10	1.0	1.7
12	1.2	2.5
15	1.5	4.0
18	1.8	5.6
20	2.0	7.0
25	2.5	12.2
30	3.0	17.0

* Flow rate tolerance: $\pm 15\%$ up to 5 l/min, $\pm 10\%$ over 5 l/min

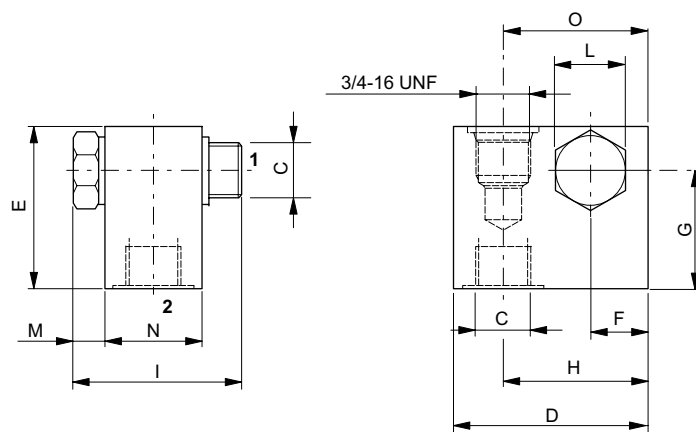
** Tolerance on hole ± 0.02 mm

ORDERING CODE

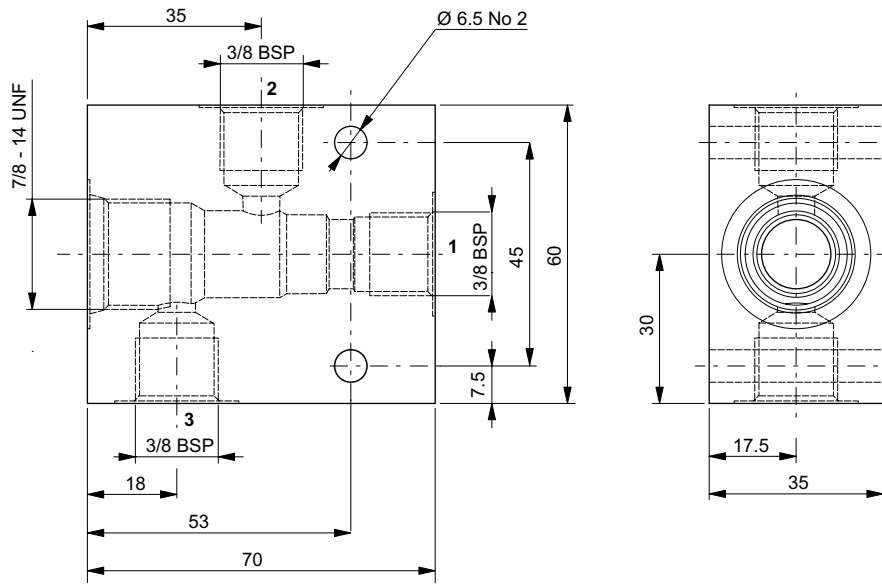




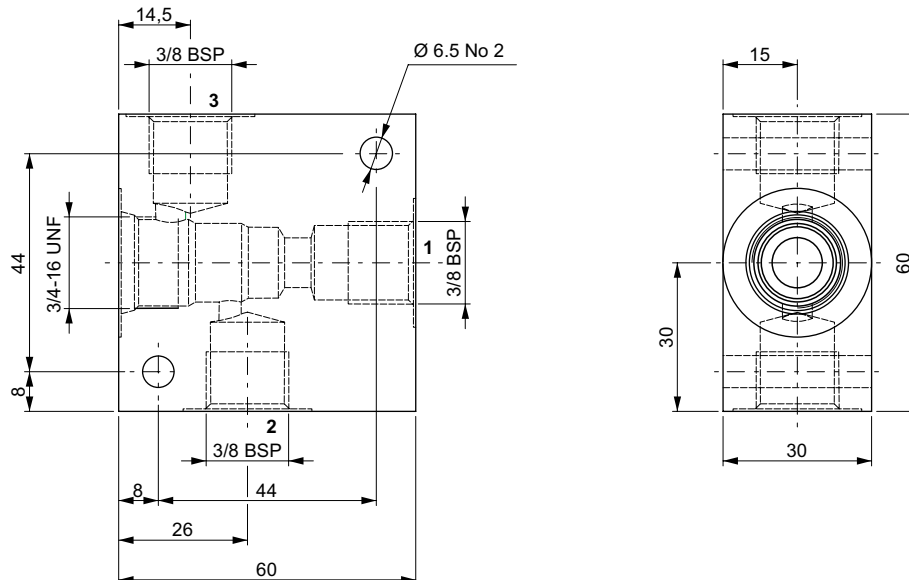
Code	C	D (mm)	E (mm)	F (mm)	G (mm)	H (mm)	I (mm)	L (mm)	M (mm)	Material	Cavity
F07100013	1/4 BSP	46	50	30,5	33	18	38	6	30	Alluminio EN AW 2011	CD018006
M18400061	3/8 BSP	55	60	38	41,25	25	45	7,5	30		
M18400071	1/2 BSP	60	60	35	41	6	48	6	40		



Code	C	D (mm)	E (mm)	F (mm)	G (mm)	H (mm)	I (mm)	L (mm)	M (mm)	N (mm)	O (mm)	Material	Cavity
17030532	3/8 BSP	50	50	16	32	35	51	22	9	30	34,5	Alluminium EN AW 2011	CD018006
V10500034	1/4 BSP	40	46	11	31	26	49	19	8	30	26		



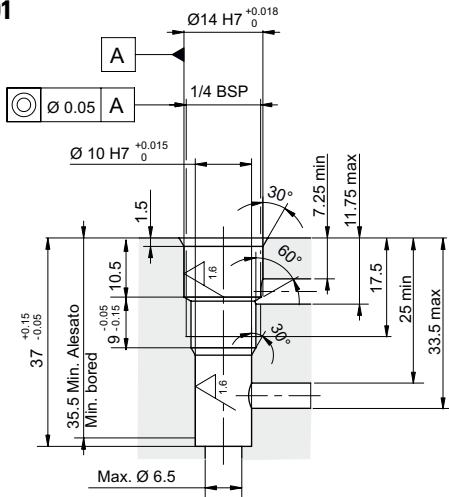
Code	Material	Cavity
M10850319	Alluminium - EN AW 2011	CD019006



Code	Material	Cavity
M10850206	Alluminium - EN AW 2011	CD018005

CA012001

1/4 BSP

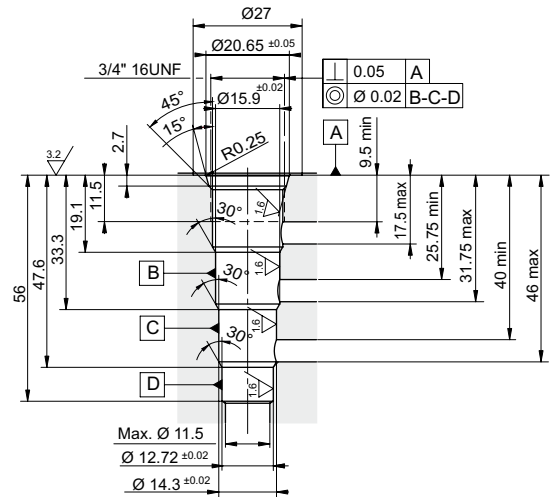


Plugs compatibility:

--	--	--	--	--

CD018001

3/4 16UNF

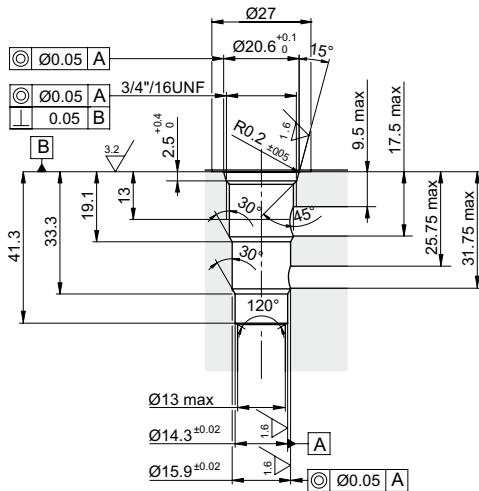


Plugs compatibility:

R78150114	R78150109	R78150111		
-----------	-----------	-----------	--	--

CD018003

3/4 16UNF

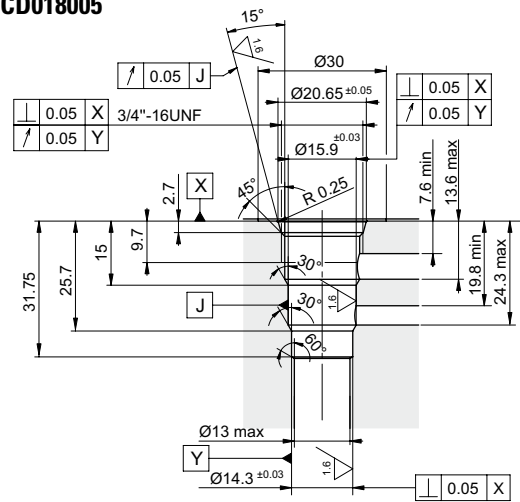


Plugs compatibility:

20001700	20001900			
----------	----------	--	--	--

CD018005

3/4 16UNF

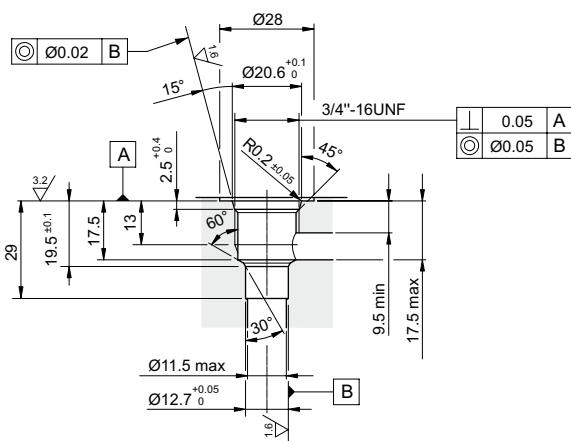


Plugs compatibility:

--	--	--	--	--

CD018006

3/4 16UNF

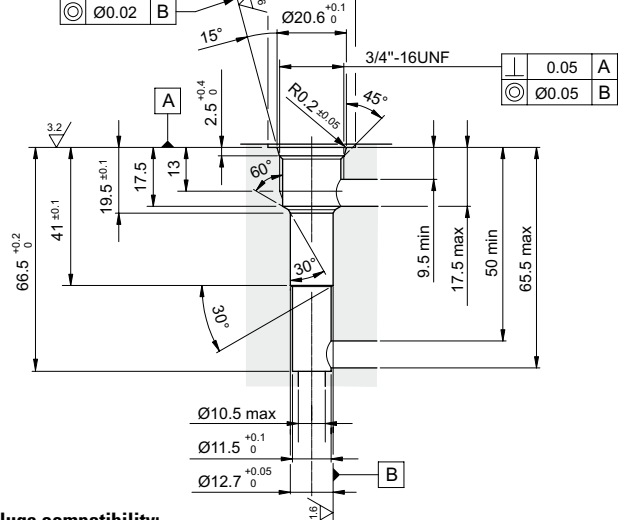


Plugs compatibility:

20001900	20001700	20003800	20009400	20018000
----------	----------	----------	----------	----------

CD018009

3/4 16UNF

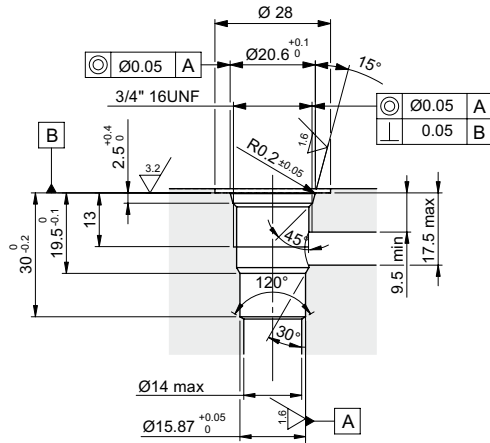


Plugs compatibility:

20001900	20001700	20003800	20009400	20018000
----------	----------	----------	----------	----------

CD018012

3/4 16UNF

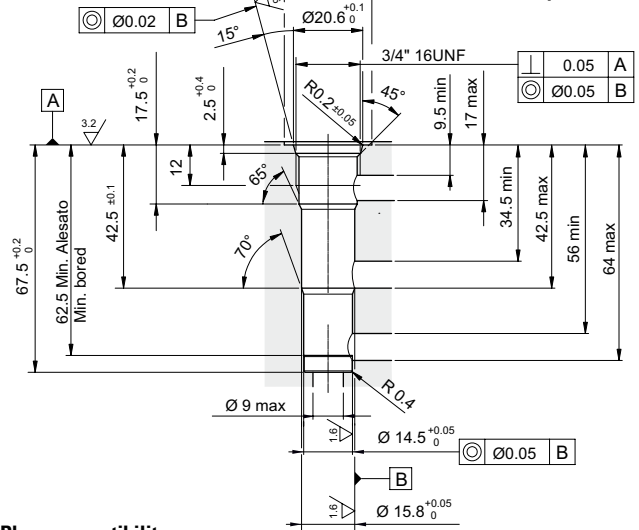


Plugs compatibility:

R78200A19	20001700	20001900		
-----------	----------	----------	--	--

CD018013

3/4 16UNF

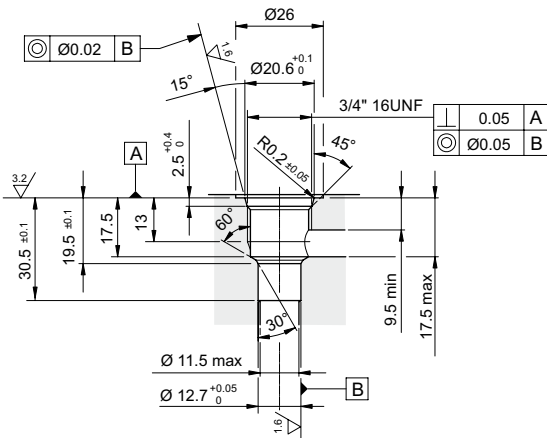


Plugs compatibility:

R78150100				
-----------	--	--	--	--

CD018014

3/4 16UNF

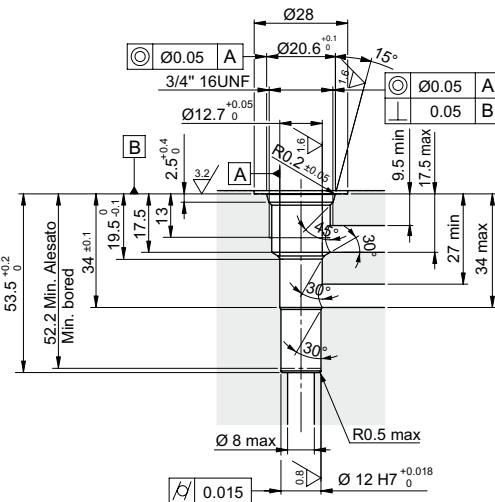


Plugs compatibility:

20001900	20001700	20003800	20009400	20018000
----------	----------	----------	----------	----------

CD018015

3/4 16UNF

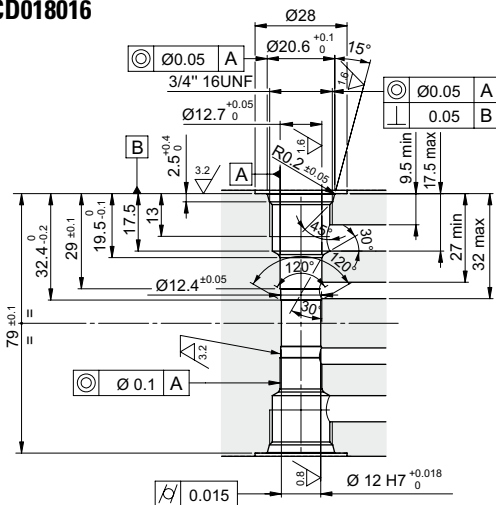


Plugs compatibility:

20018000	20001700	20001900	20003800	20009400
----------	----------	----------	----------	----------

CD018016

3/4 16UNF

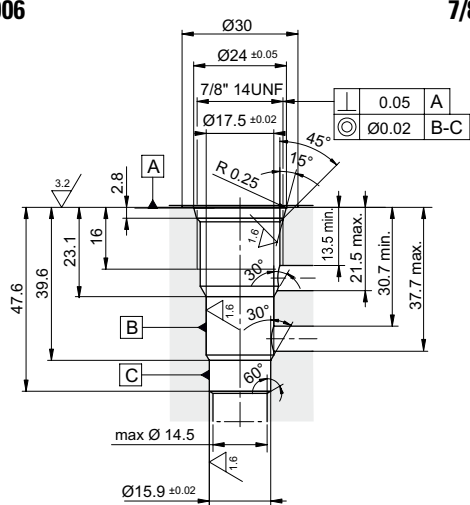


Plugs compatibility:

20018000	20001700	20001900	20003800	20009400
----------	----------	----------	----------	----------

CD019006

7/8 14UNF

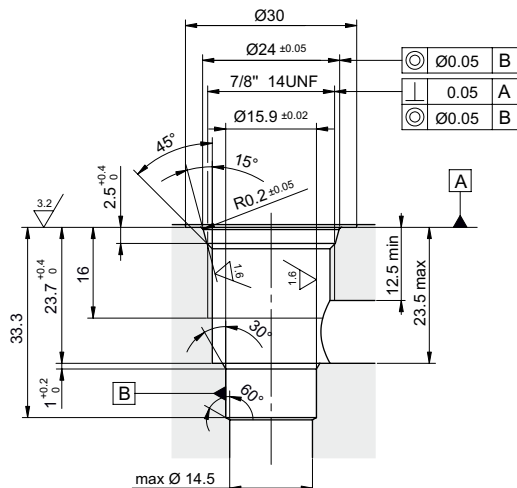


Plugs compatibility:

--	--	--	--	--

CD019007

7/8 14UNF

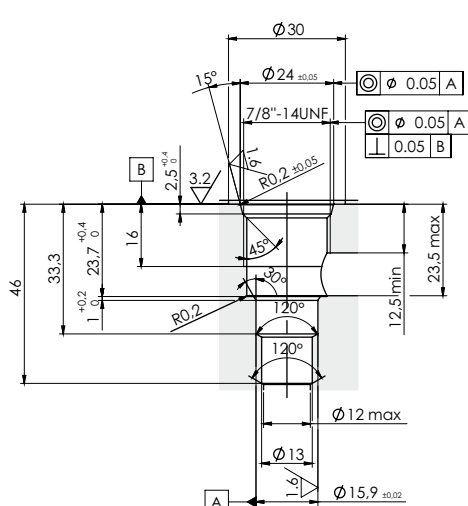


Plugs compatibility:

--	--	--	--

CD019011

7/8 14UNF

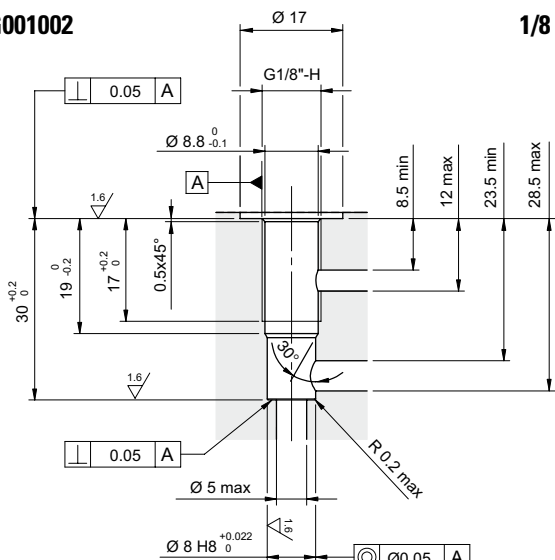


Plugs compatibility:

--	--	--	--

CG001002

1/8 BSP

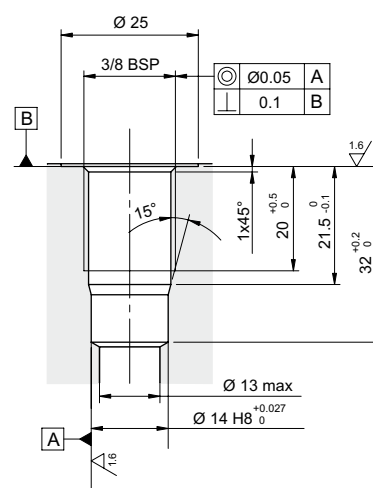


Plugs compatibility:

--	--	--	--

CG003004

3/8 BSP

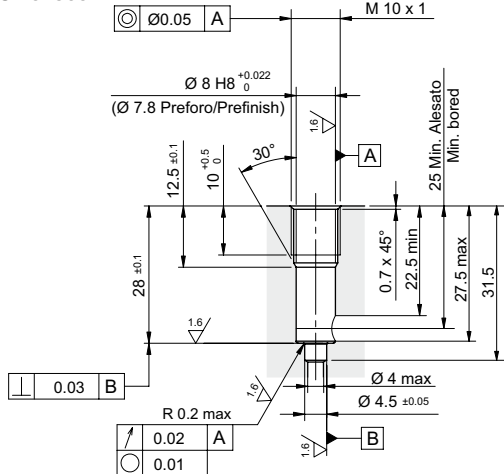


Plugs compatibility:

--	--	--	--

CN019002

M10X1

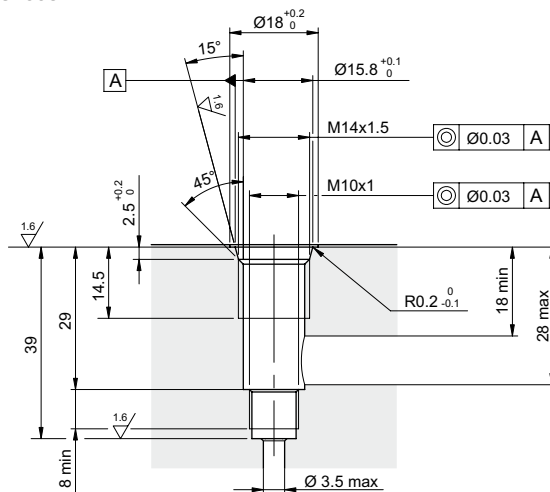


Plugs compatibility:

--	--	--	--

CN032005

M14X1.5



Plugs compatibility:

--	--	--	--

