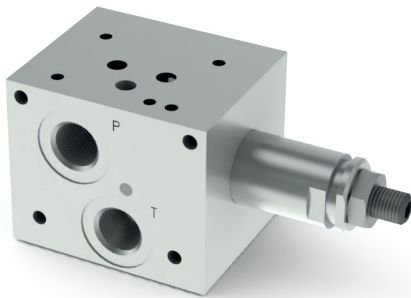


FE10X

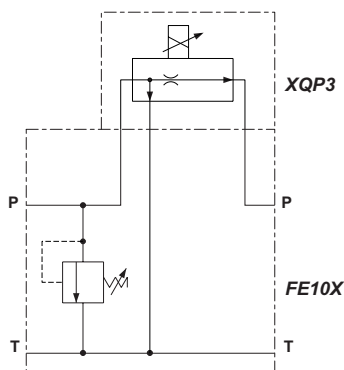
INLET MODULE UNITS WITH PRESSURE RELIEF VALVE FOR PROPORTIONAL PRESSURE COMPENSATED FLOW REGULATOR XQP3



Module units FE10X for proportional pressure compensated flow regulator XQP3 . With CMP10 adjustable pressure relief valve.

- Manual adjustment with a grub screw or plastic knob.
- Threaded ports P-T sizes G3/8".
- Maximum flow 40 l/min.
- Aluminum body.

HYDRAULIC SYMBOL



FEATURES

Max. operating pressure	250 bar
Max. Flow	40 l/min
Hydraulic fluid	DIN 51524 Mineral oils
Fluid viscosity	10 ÷ 500 mm ² /s
Fluid temperature	-25°C ÷ 75°C
Ambient temperature	-25°C ÷ 60°C
Max. contamination level (filter β ₂₅ ≥ 75)	ISO 4406:1999: class 19/17/14 NAS 1638: class 8
Weight	0.6 kg

Pressure relief valve (CMP10...)

Setting range (*):	
Spring 1	max 50 bar
Spring 2	max 150 bar
Spring 3	max 320 bar

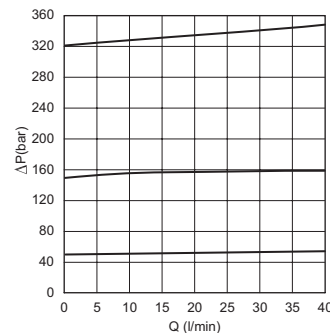
(*) The minimum permissible setting pressure depending on the spring: see curves.

ORDERING CODE

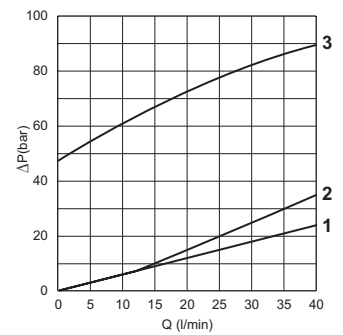
FE10X	Inlet module unit (up to 40 l/min) for proportional pressure compensated flow regulator
3	Size
*	Ports: 1 = G3/8" ports P,T
*	Adjustment: M = Plastic knob C = Grub screw
*	Setting ranges 1 = max. 50 bar (white spring) 2 = max. 150 bar (yellow spring) 3 = max. 320 bar ** (green spring)
**	00 = No variant V1 = Viton
1	Serial No.

(**) Setting referred to the maximum pressure reached from the relief valve. Do not exceed the maximum working pressure 250 bar.

PRESSURE-FLOW RATE



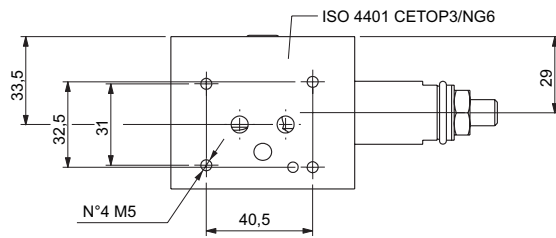
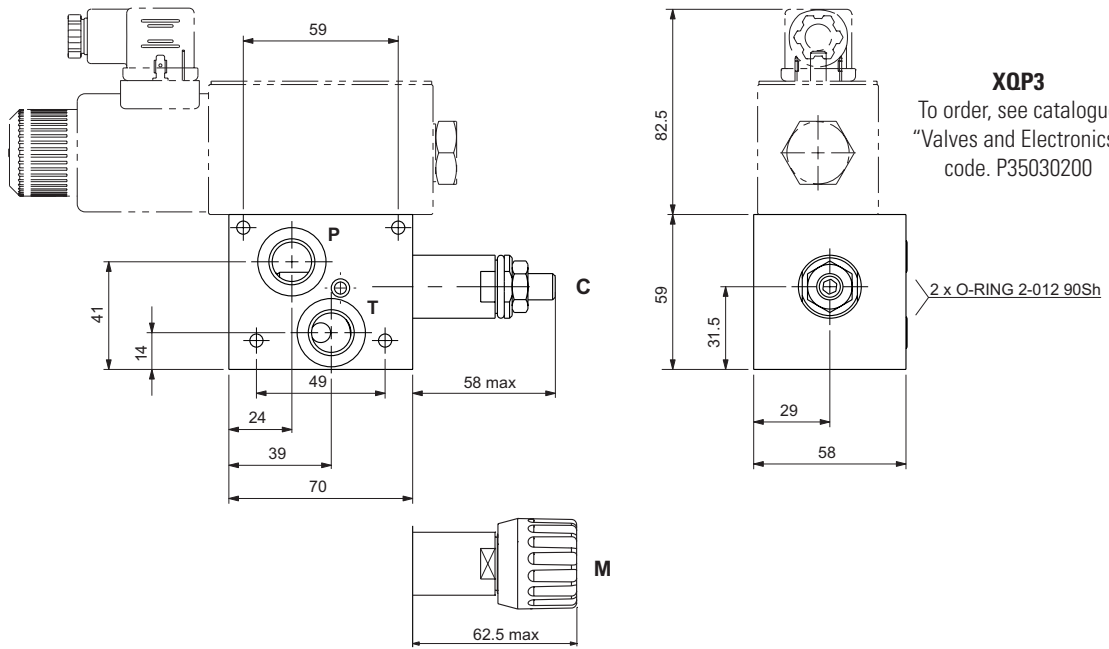
MIN.SETTING PRESSURE



1 = max 50 bar - **2** = max 150 bar - **3** = max 320 bar
Fluid used: mineral based oil with viscosity 46 mm²/s at 40°C.

FE10X

OVERALL DIMENSIONS



C = Grub screw
M = Plastic knob