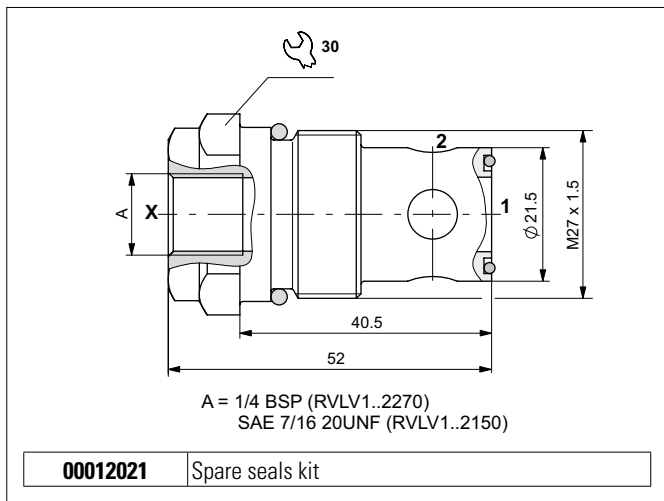


PUMP UNLOADING VALVES



The normally-closed 2-way 2-position valve is used to connect a normally pressurised branch to the outlet in order to allow fluid to flow through the valve from 2 to 1.

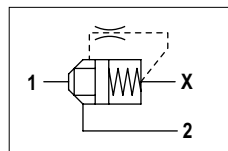
Tapered poppet in tempered and ground steel, released when the pilot branch X is connected to the outlet.

It has a galvanised steel body.

HYDRAULIC FEATURES

| | |
|--|--------------------------------|
| Max. working pressure | 380 bar |
| Max. Flow | 140 l/min |
| Max. Leakage (0 ÷ 5 drops/min) | 0 ÷ 0.25 cm ³ /min |
| Hydraulic fluid | DIN 51524 Mineral oils |
| Fluid viscosity | 10 ÷ 500 mm ² /s |
| Fluid temperature | -25°C ÷ 75°C |
| Ambient temperature | -25°C ÷ 60°C |
| Max. contamin. level class with filter | ISO 4406:1999 - class 19/17/14 |
| Weight | 0.1422 kg |
| Tightening torque | 22 ÷ 26 Nm |
| Cavity (M27x1.5) | CN059001 (See section 15) |

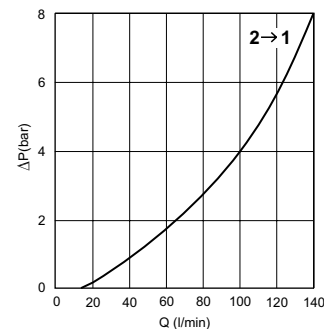
HYDRAULIC SYMBOL



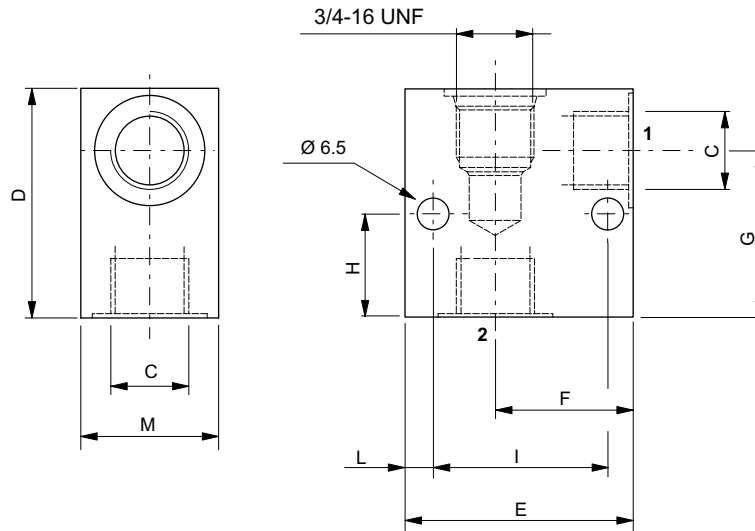
ORDERING CODE

| Code | Type |
|--------------------|---|
| RVLV1202270 | Pump unloading valve (A = 1/4 BSP) |
| RVLV12021S0 | Pump unloading valve (A = SAE 7/16 20UNF) |

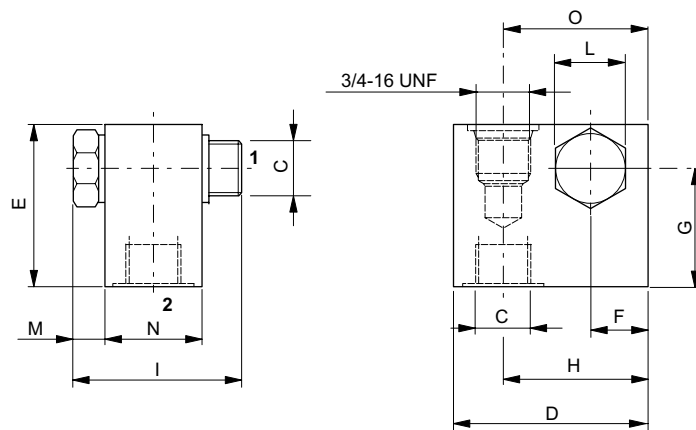
PRESSURE DROPS



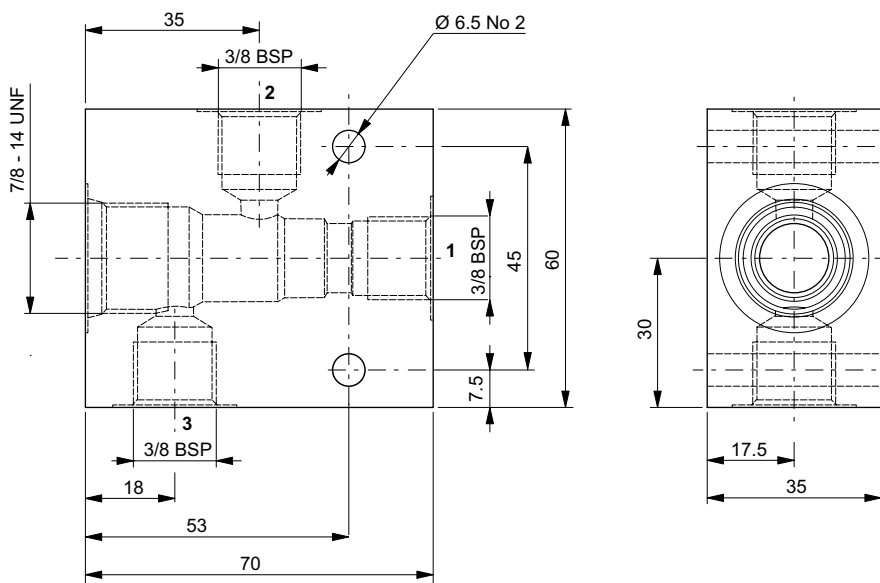
Fluid used: mineral based oil with viscosity 46 mm²/s at 40°C.



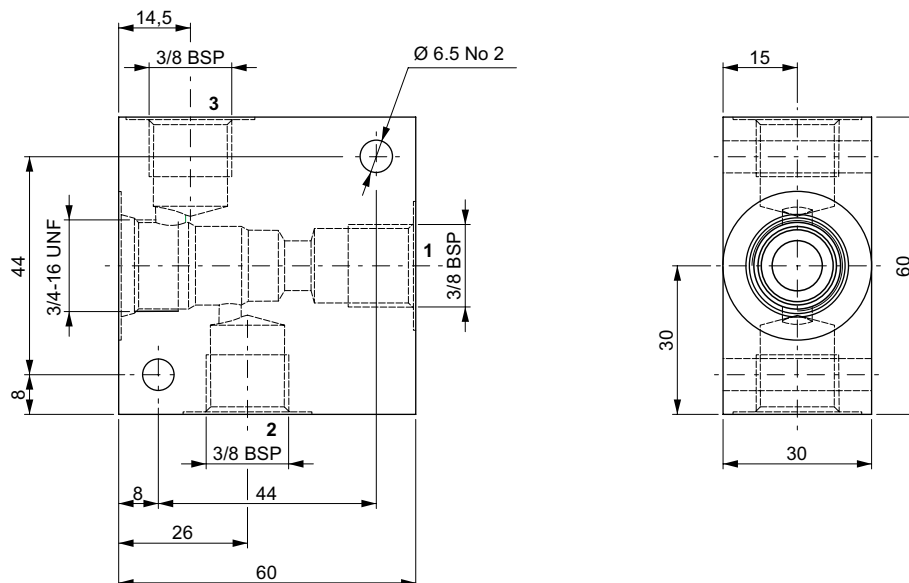
| Code | C | D (mm) | E (mm) | F (mm) | G (mm) | H (mm) | I (mm) | L (mm) | M (mm) | Material | Cavity |
|-----------|---------|--------|--------|--------|--------|--------|--------|--------|--------|-------------------------|----------|
| F07100013 | 1/4 BSP | 46 | 50 | 30,5 | 33 | 18 | 38 | 6 | 30 | Alluminio EN AW 2011 | CD018006 |
| M18400061 | 3/8 BSP | 55 | 60 | 38 | 41,25 | 25 | 45 | 7,5 | 30 | | |
| M18400071 | 1/2 BSP | 60 | 60 | 35 | 41 | 6 | 48 | 6 | 40 | | |



| Code | C | D (mm) | E (mm) | F (mm) | G (mm) | H (mm) | I (mm) | L (mm) | M (mm) | N (mm) | O (mm) | Material | Cavity |
|-----------|---------|--------|--------|--------|--------|--------|--------|--------|--------|--------|--------|--------------------------|----------|
| 17030532 | 3/8 BSP | 50 | 50 | 16 | 32 | 35 | 51 | 22 | 9 | 30 | 34.5 | Alluminium EN AW 2011 | CD018006 |
| V10500034 | 1/4 BSP | 40 | 46 | 11 | 31 | 26 | 49 | 19 | 8 | 30 | 26 | | |



| Code | Material | Cavity |
|-----------|-------------------------|----------|
| M10850319 | Alluminium - EN AW 2011 | CD019006 |



| Code | Material | Cavity |
|-----------|-------------------------|----------|
| M10850206 | Alluminium - EN AW 2011 | CD018005 |

CA012001 **1/4 BSP**

Plugs compatibility:

| | | | |
|--|--|--|--|
| | | | |
|--|--|--|--|

CD018001 **3/4 16UNF**

Plugs compatibility:

| | | | |
|-----------|-----------|-----------|--|
| R78150114 | R78150109 | R78150111 | |
|-----------|-----------|-----------|--|

CD018003 **3/4 16UNF**

Plugs compatibility:

| | | | |
|----------|----------|--|--|
| 20001700 | 20001900 | | |
|----------|----------|--|--|

CD018005 **3/4 16UNF**

Plugs compatibility:

| | | | |
|--|--|--|--|
| | | | |
|--|--|--|--|

CD018006 **3/4 16UNF**

Plugs compatibility:

| | | | | |
|----------|----------|----------|----------|----------|
| 20001900 | 20001700 | 20003800 | 20009400 | 20018000 |
|----------|----------|----------|----------|----------|

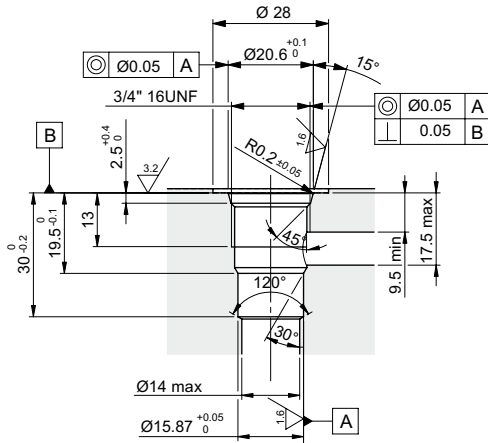
CD018009 **3/4 16UNF**

Plugs compatibility:

| | | | | |
|----------|----------|----------|----------|----------|
| 20001900 | 20001700 | 20003800 | 20009400 | 20018000 |
|----------|----------|----------|----------|----------|

CD018012

3/4 16UNF

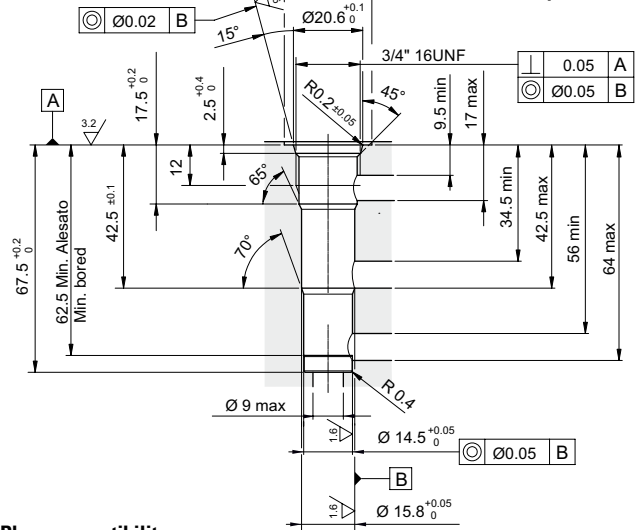


Plugs compatibility:

| | | | | |
|-----------|----------|----------|--|--|
| R78200A19 | 20001700 | 20001900 | | |
|-----------|----------|----------|--|--|

CD018013

3/4 16UNF

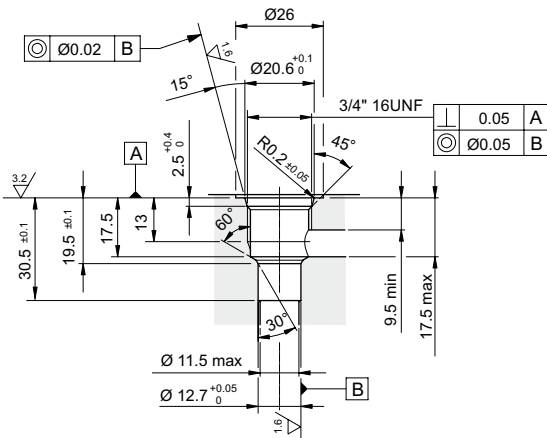


Plugs compatibility:

| | | | | |
|-----------|--|--|--|--|
| R78150100 | | | | |
|-----------|--|--|--|--|

CD018014

3/4 16UNF

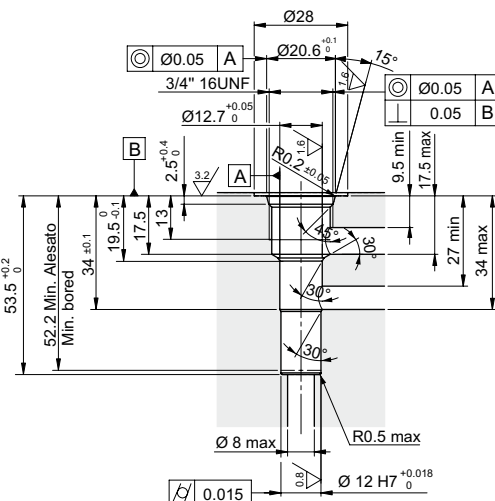


Plugs compatibility:

| | | | | |
|----------|----------|----------|----------|----------|
| 20001900 | 20001700 | 20003800 | 20009400 | 20018000 |
|----------|----------|----------|----------|----------|

CD018015

3/4 16UNF

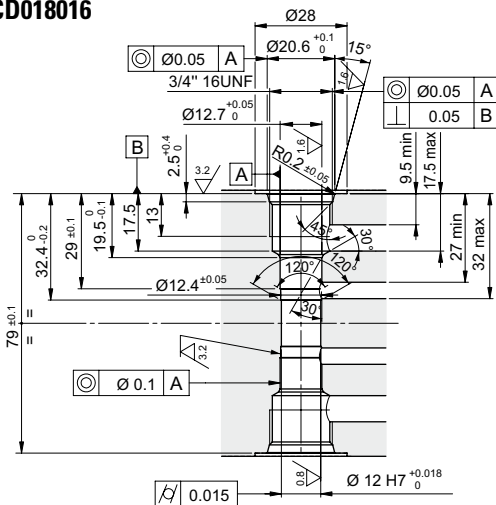


Plugs compatibility:

| | | | | |
|----------|----------|----------|----------|----------|
| 20018000 | 20001700 | 20001900 | 20003800 | 20009400 |
|----------|----------|----------|----------|----------|

CD018016

3/4 16UNF

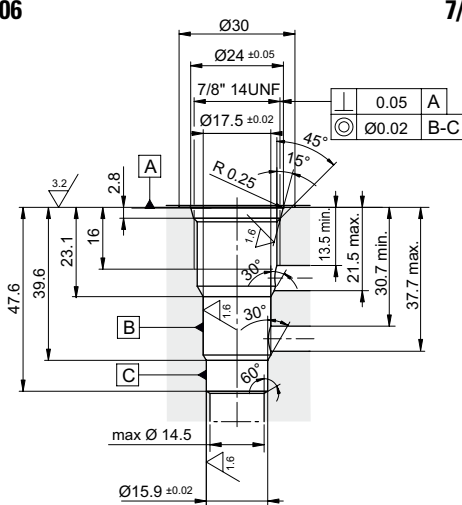


Plugs compatibility:

| | | | | |
|----------|----------|----------|----------|----------|
| 20018000 | 20001700 | 20001900 | 20003800 | 20009400 |
|----------|----------|----------|----------|----------|

CD019006

7/8 14UNF

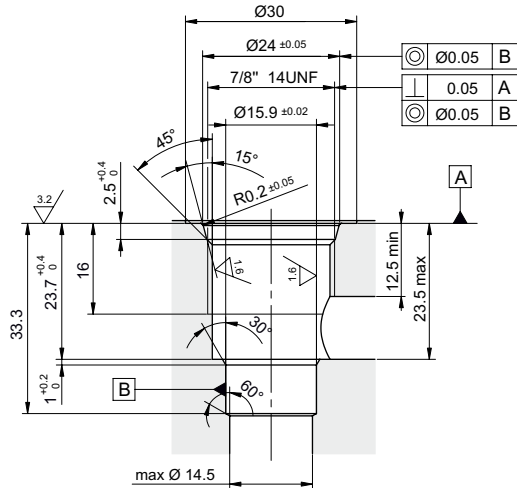


Plugs compatibility:

| | | | | |
|--|--|--|--|--|
| | | | | |
|--|--|--|--|--|

CD019007

7/8 14UNF

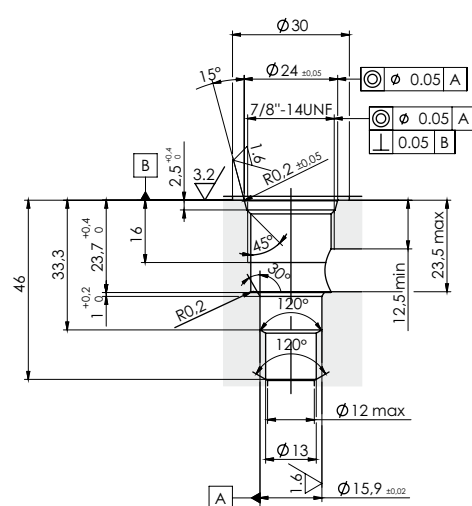


Plugs compatibility:

| | | | | |
|--|--|--|--|--|
| | | | | |
|--|--|--|--|--|

CD019011

7/8 14UNF

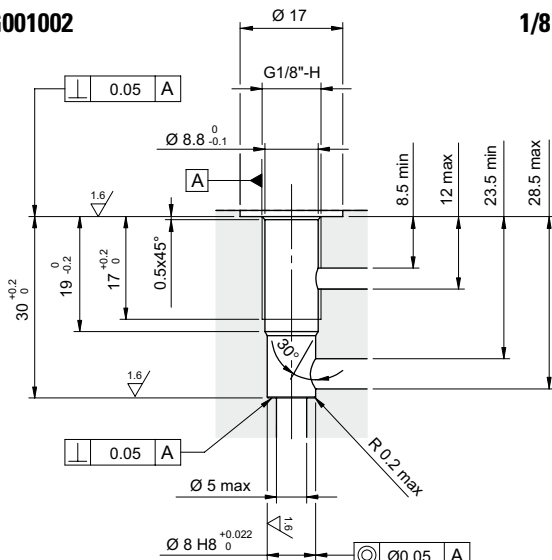


Plugs compatibility:

| | | | | |
|--|--|--|--|--|
| | | | | |
|--|--|--|--|--|

CG001002

1/8 BSP

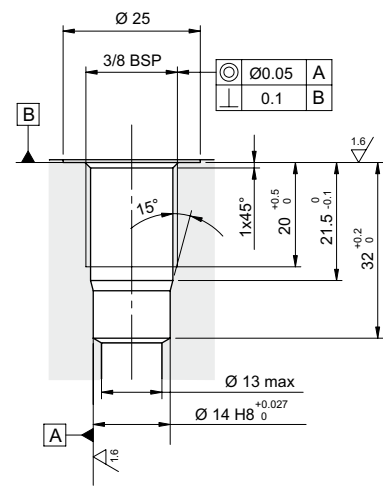


Plugs compatibility:

| | | | | |
|--|--|--|--|--|
| | | | | |
|--|--|--|--|--|

CG003004

3/8 BSP

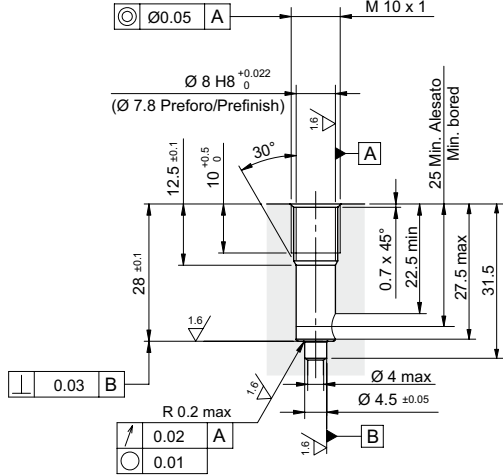


Plugs compatibility:

| | | | | |
|--|--|--|--|--|
| | | | | |
|--|--|--|--|--|

CN019002

M10X1

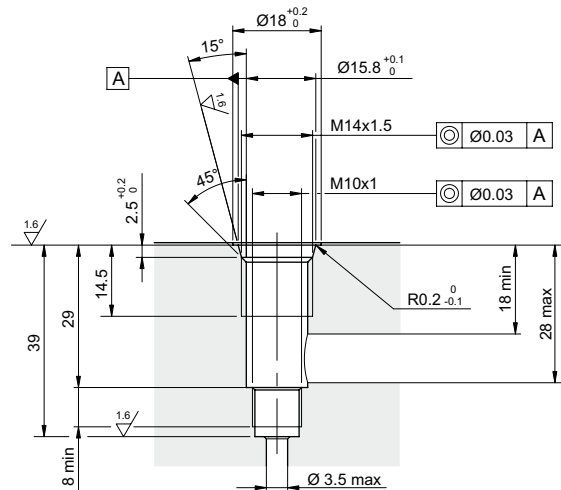


Plugs compatibility:

| | | | | |
|--|--|--|--|--|
| | | | | |
|--|--|--|--|--|

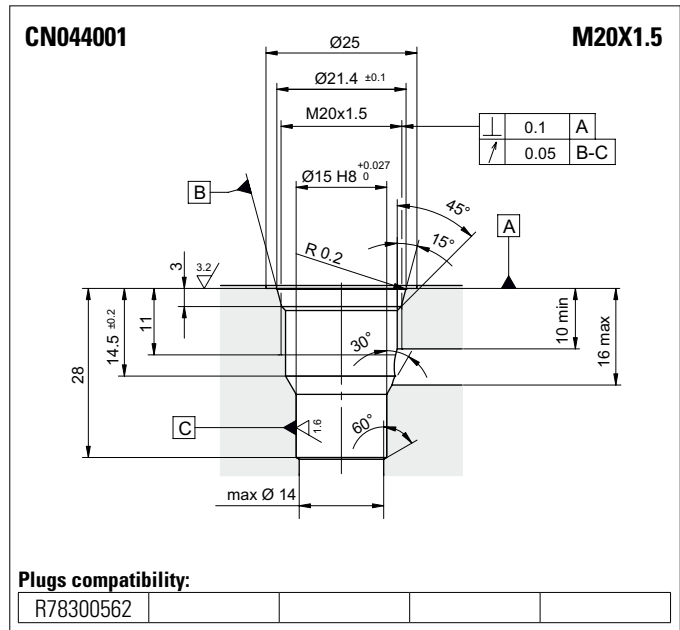
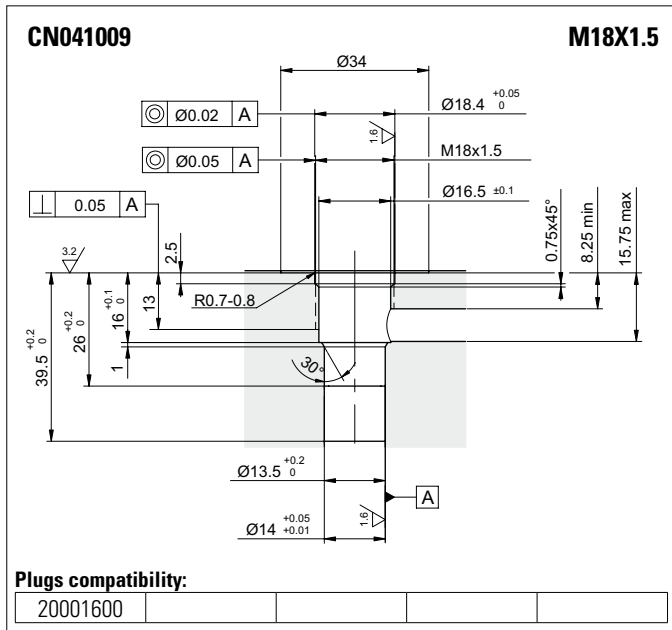
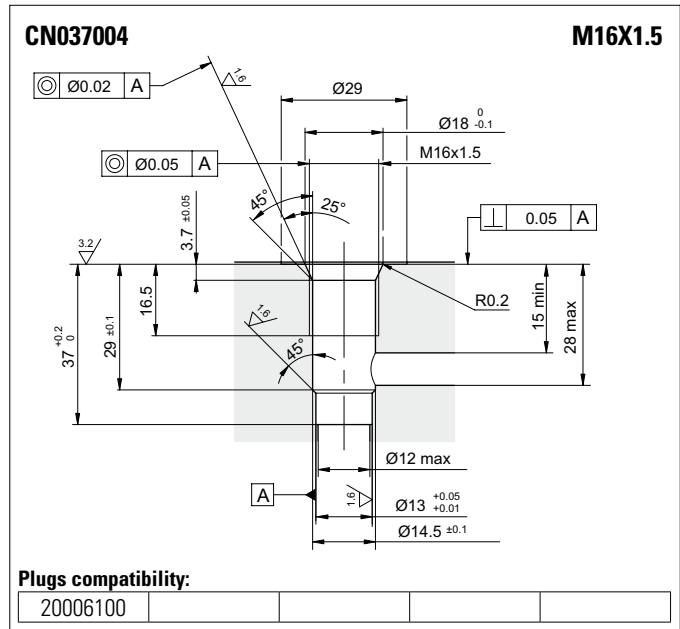
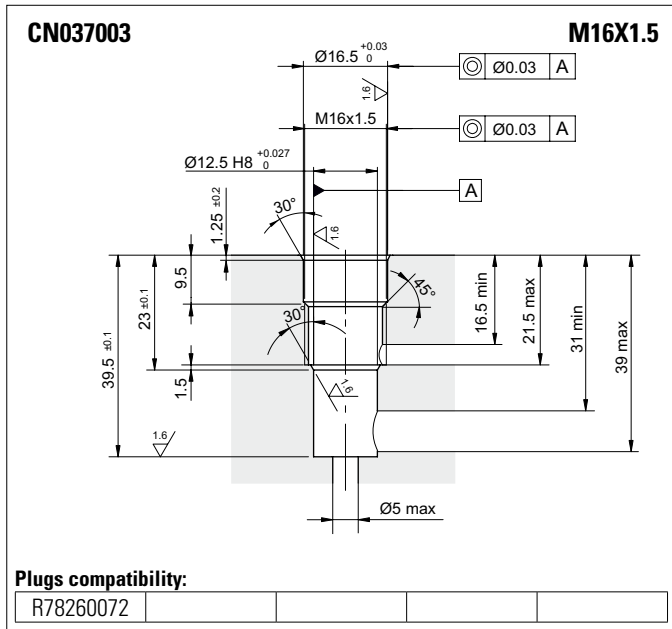
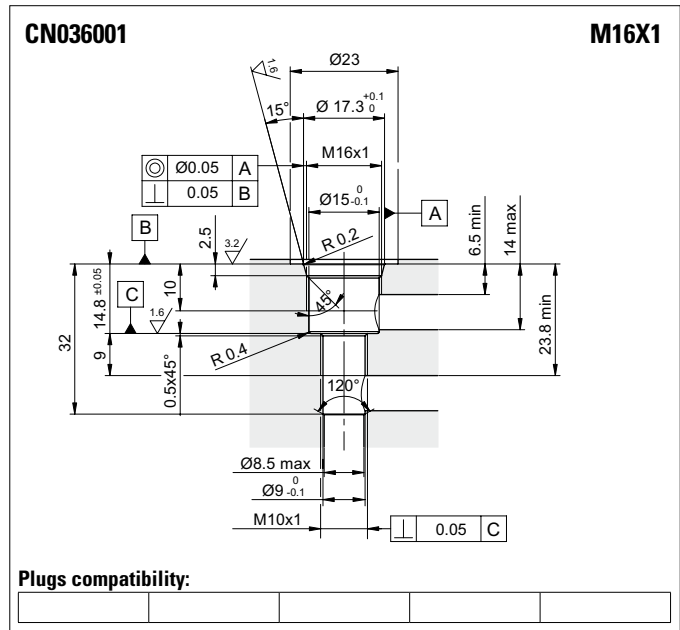
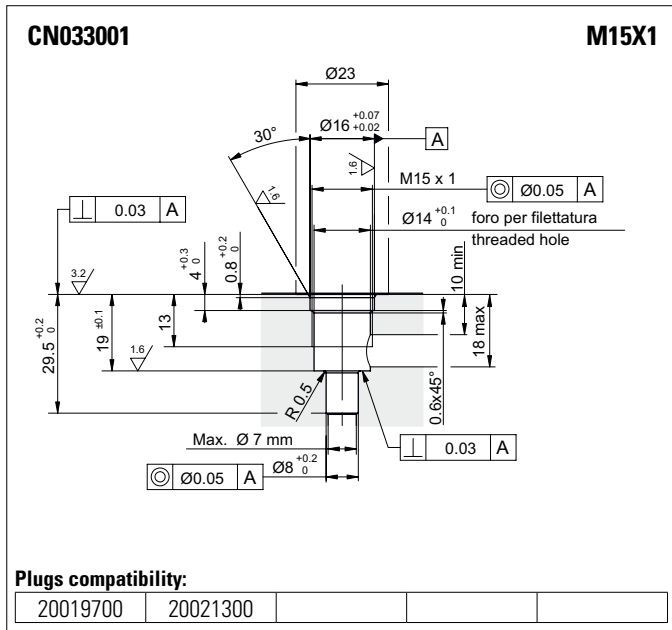
CN032005

M14X1.5



Plugs compatibility:

| | | | | |
|--|--|--|--|--|
| | | | | |
|--|--|--|--|--|



CN047002 **M22X1.5**

Plugs compatibility:

| | | | |
|-----------|--|--|--|
| R78050014 | | | |
|-----------|--|--|--|

CN047003 **M22X1.5**

Plugs compatibility:

| | | | |
|-----------|--|--|--|
| R78400A17 | | | |
|-----------|--|--|--|

CN051001 **M24X2**

Plugs compatibility:

| | | | |
|-----------|--|--|--|
| R78300564 | | | |
|-----------|--|--|--|

CN059001 **M27X1.5**

Plugs compatibility:

| | | | |
|--|--|--|--|
| | | | |
|--|--|--|--|

CN070001 **M33X2**

Plugs compatibility:

| | | | |
|-----------|--|--|--|
| R78400568 | | | |
|-----------|--|--|--|

Plugs compatibility:

| | | | |
|--|--|--|--|
| | | | |
|--|--|--|--|