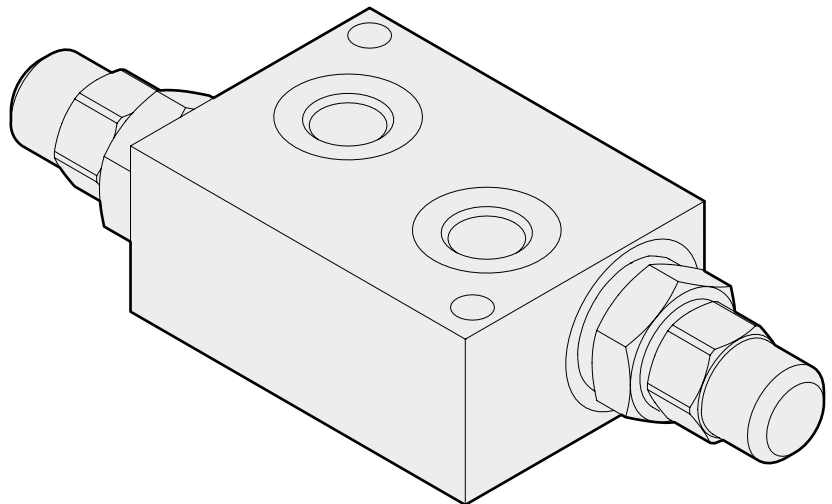
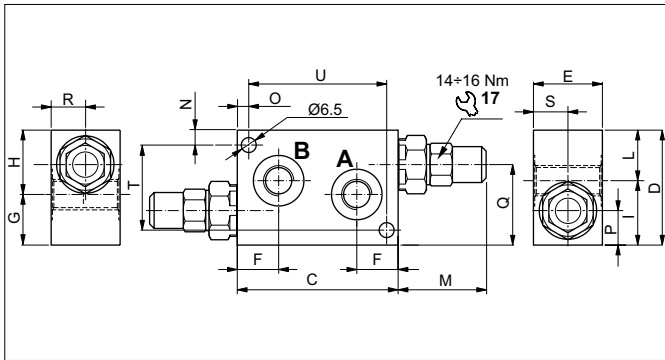


DOUBLE CROSS RELIEF VALVES

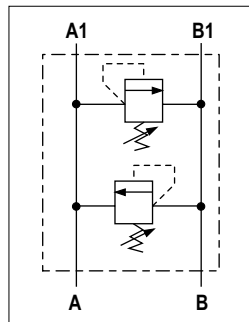


DOUBLE CROSS RELIEF VALVES DIRECT ACTING - IN-LINE MOUNTING



The direct acting compensator valves with CMP04 type cartridge protects the hydraulic components from impact or peaks in pressure. It raises the safety level by making it impossible for the plant operators to set a higher pressure rating, than that specified in the catalogue. It has a pack spring with a mechanical stop (only standard screw and nut). The body is in high-resistance aluminium and the cartridge is in galvanised steel.

HYDRAULIC SYMBOL



HYDRAULIC FEATURES

Max. pressure	
Size 1/4 BSP	250 bar
Size 3/8 BSP	250 bar
Max. Flow	
Size 1/4 BSP	30 l/min
Size 3/8 BSP	30 l/min
Hydraulic fluid	DIN 51524 Mineral oils
Fluid viscosity	10 ÷ 500 mm ² /s
Fluid temperature	-25°C ÷ 75°C
Ambient temperature	-25°C ÷ 60°C
Max. contamin. level class with filter	ISO 4406:1999 - class 19/17/14

Size	Ports A-B	Valve features see:	C (mm)	D (mm)	E (mm)	F (mm)	G (mm)	H (mm)	I (mm)	L (mm)	M (mm)	N (mm)	O (mm)	P (mm)	Q (mm)	R (mm)	S (mm)	T (mm)	U (mm)	Weight (kg)
04	1/4 BSP	CMP04	70	50	30	17.5	22	28	28	22	32	6.5	5	15	35	15	15	37	60	0.394
06	3/8 BSP	CMP04	70	50	30	18	20	30	30	20	32	6.5	5	15	35	15	15	37	60	0.400

ORDERING CODE

