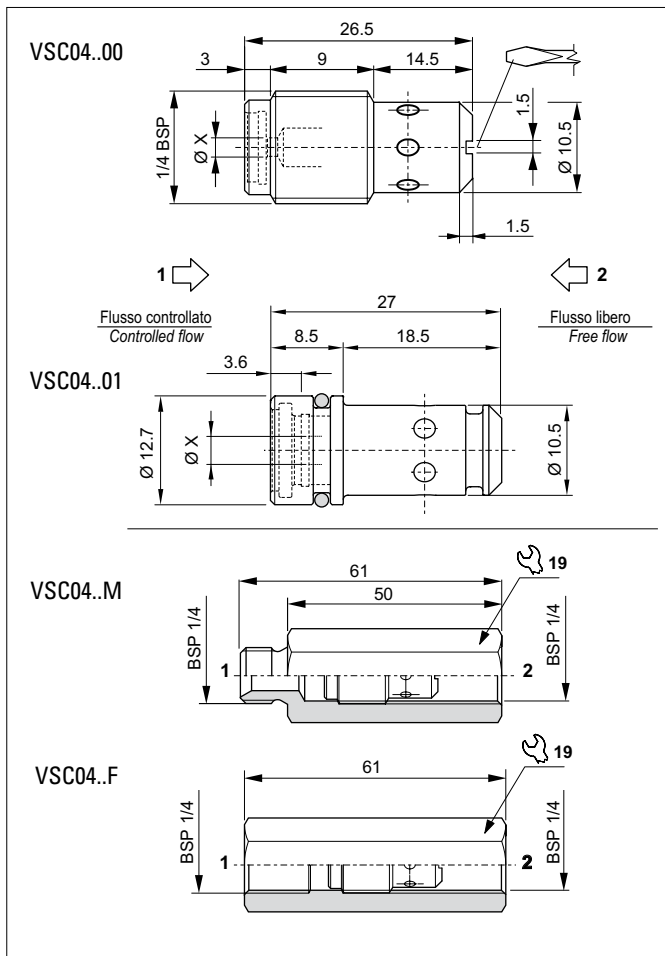


FIXED COMPENSATED FLOW CONTROL VALVE

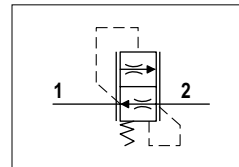


The flow control valve maintains a steady flow in a single direction (1 to 2) regardless of oil pressure. The flow is reduced by the control hole X which determines the flow rate. Steel body. Compensator plunger in ground steel.

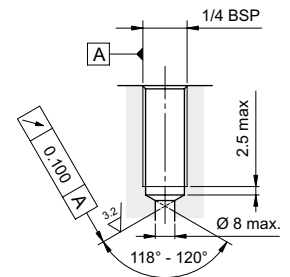
HYDRAULIC FEATURES

Max. working pressure	250 bar
ΔP of regulation	5.4 ÷ 6.3 bar
Max. Flow	11.7 l/min
Hydraulic fluid	DIN 51524 Mineral oils
Fluid viscosity	10 ÷ 500 mm ² /s
Fluid temperature	-25°C ÷ 75°C
Ambient temperature	-25°C ÷ 60°C
Max. contamin. level class with filter	ISO 4406:1999 - class 19/17/14
Weight	0.014 kg
Tightening torque	6 ÷ 8 Nm
Cavity (for VSC04..01)	CD018009 (See section 15)

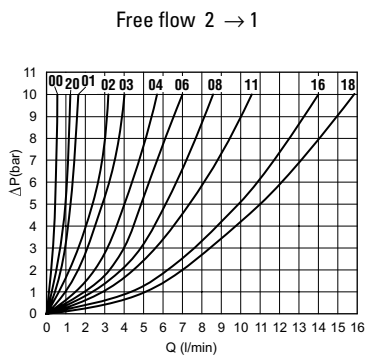
HYDRAULIC SYMBOL



SEAL (FOR VSC04..00)



PRESSURE DROPS



Fluid used: mineral based oil with viscosity 46 mm²/s at 40°C.

FLOW CONTROLLED BY "X" PORT

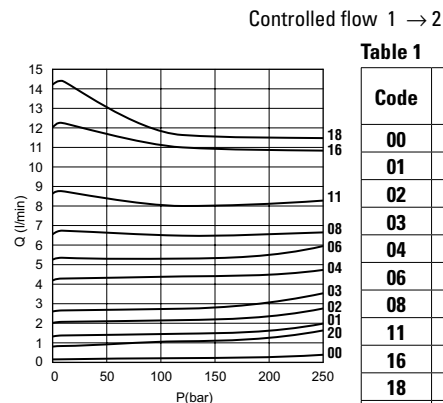


Table 1

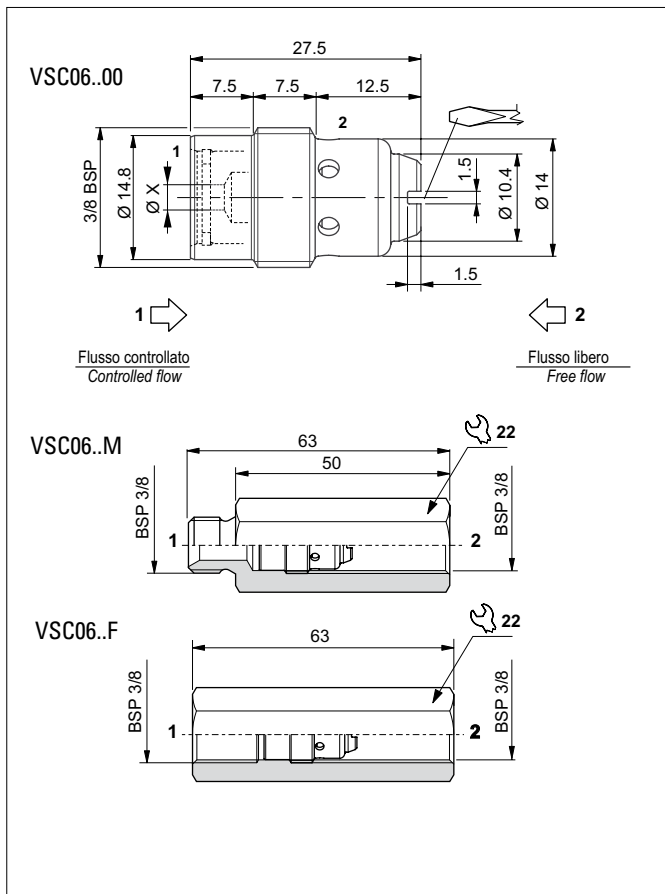
Code	Ø X (mm)	Nominal flow at 120 bar (l/min)
00	0.50	0.3
01	1.00	1.4
02	1.25	2.3
03	1.50	2.8
04	1.75	4.3
06	2.00	5.2
08	2.25	6.5
11	2.50	8.0
16	3.00	11.1
18	3.20	11.7
20	0.80	1.1

ORDERING CODE

VSC	04	**	**	**
Series	Size	Controlled flow 1 → 2		
VSC = Fixed flow control valve	04 = 1/4 BSP	Variants		
** = Code (see table 1)		Versions		

Omit if not required
04 = ΔP of regulation 2.9 bar (only for controlled flow code 00, see table 1)
00 = Thread body 1/4 BSP
01 = Body with O-ring (9.25x1.78)
M = With column M/F
F = With column F/F

FIXED COMPENSATED FLOW CONTROL VALVE

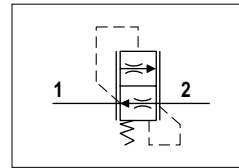


The flow control valve maintains a steady flow in a single direction (1 to 2) regardless of oil pressure.
 The flow is reduced by the control hole X which determines the flow rate.
 Steel body. Compensator plunger in ground steel.

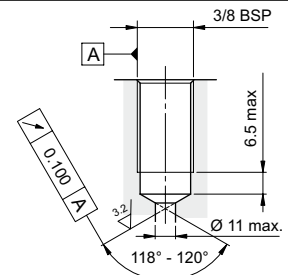
HYDRAULIC FEATURES

Max. working pressure	250 bar
ΔP of regulation	6.0 ÷ 6.8 bar 2,2 bar (code 10-12 tab. 1)
Max. Flow	18.5 l/min
Hydraulic fluid	DIN 51524 Mineral oils
Fluid viscosity	10 ÷ 500 mm ² /s
Fluid temperature	-25°C ÷ 75°C
Ambient temperature	-25°C ÷ 60°C
Max. contamin. level class with filter	ISO 4406:1999 - class 19/17/14
Weight	0.026 kg
Tightening torque	6 ÷ 8 Nm

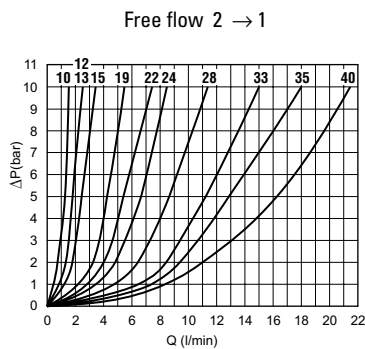
HYDRAULIC SYMBOL



SEAL (FOR VSC06..00)



PRESSURE DROPS



Fluid used: mineral based oil with viscosity 46 mm²/s at 40°C.

FLOW CONTROLLED BY "X" PORT

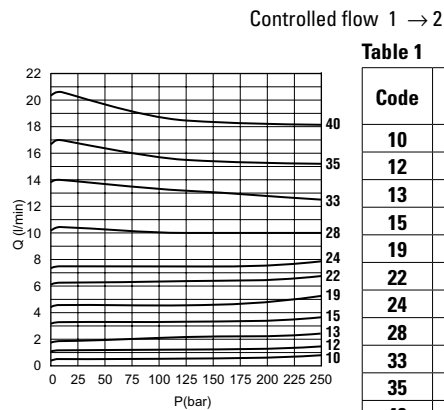


Table 1

Code	Ø X (mm)	Nominal flow at 120 bar (l/min)
10	1.00	0.7
12	1.25	1.1
13	1.25	2.1
15	1.50	3.2
19	1.90	4.7
22	2.20	6.3
24	2.40	7.5
15		
13		
12		
10		
28	2.75	10.0
33	3.25	13.2
35	3.50	15.7
40	4.00	18.5

ORDERING CODE

