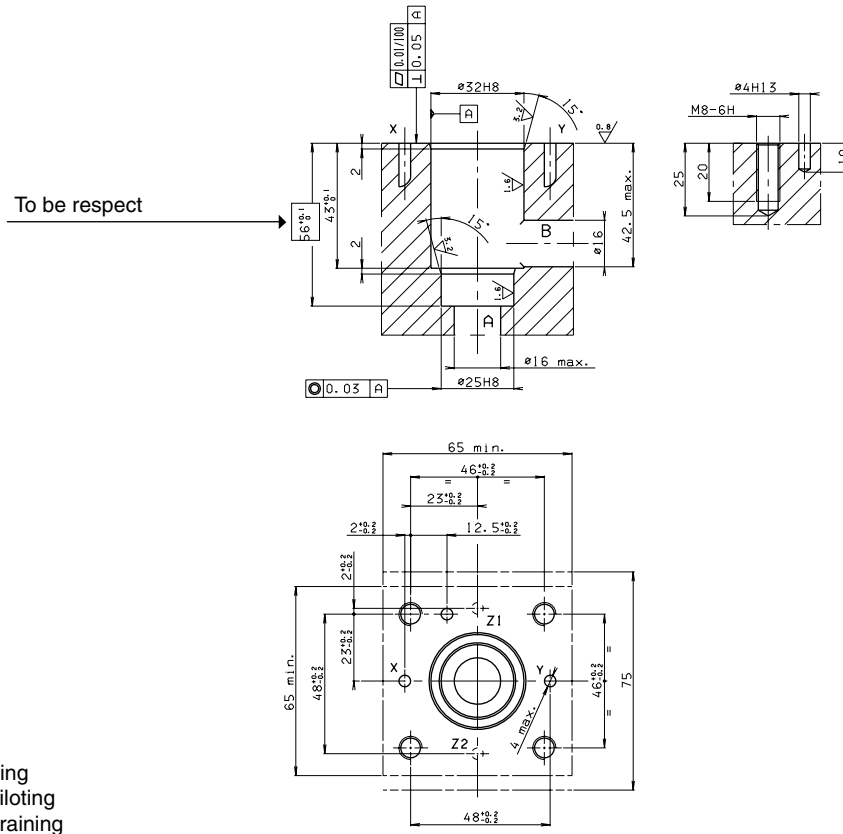
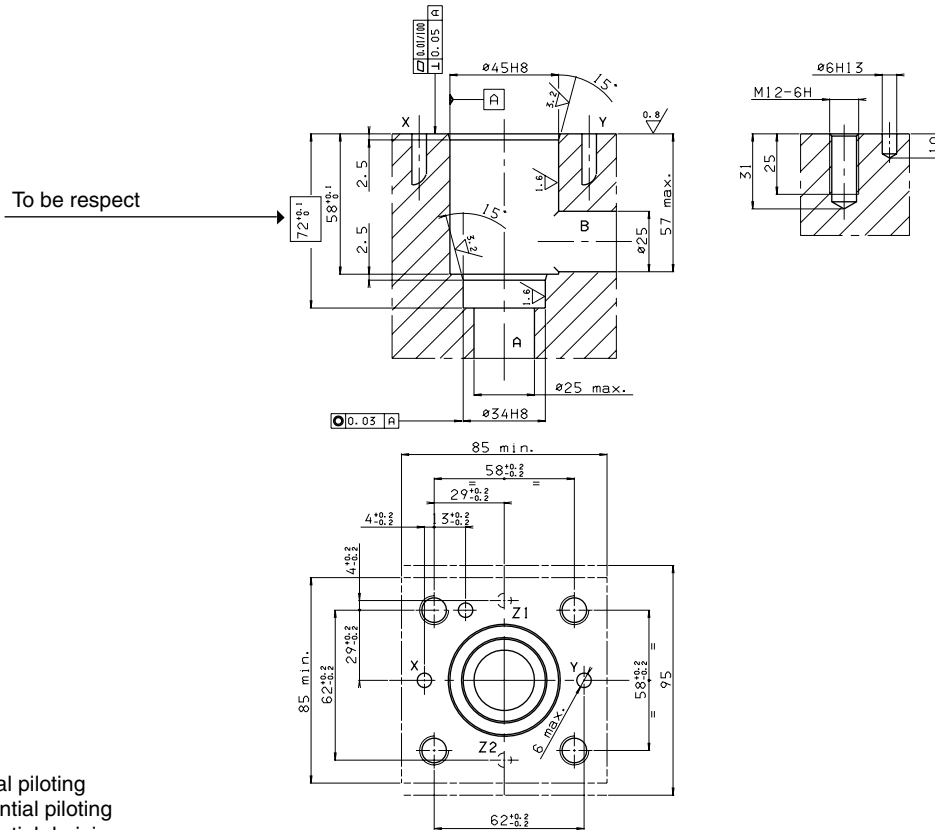


OVERALL DIMENSIONS OF TWO-WAY VALVE SEAT ISO 7368/BA-06-2-A NG16 (DIN 24342)



- X = piloting
- Y = draining
- Z = additional piloting
- Z1 = preferential piloting
- Z2 = preferential draining

OVERALL DIMENSIONS OF TWO-WAY VALVE SEAT ISO 7368/BB-08-2-A NG25 (DIN 24342)



- X = piloting
- Y = draining
- Z = additional piloting
- Z1 = preferential piloting
- Z2 = preferential draining