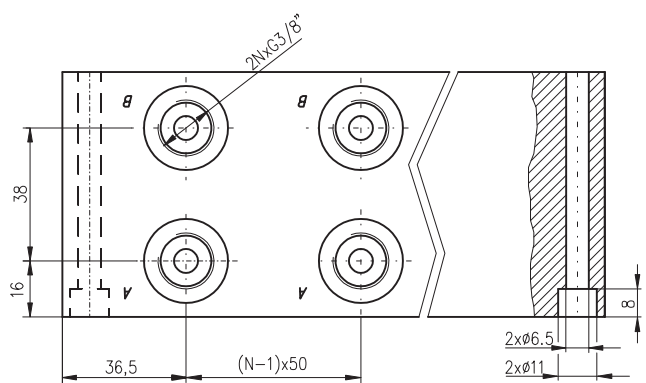
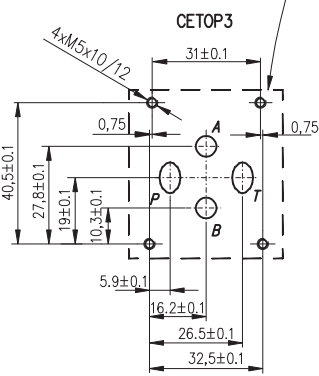
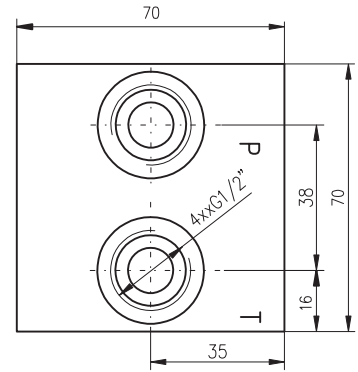
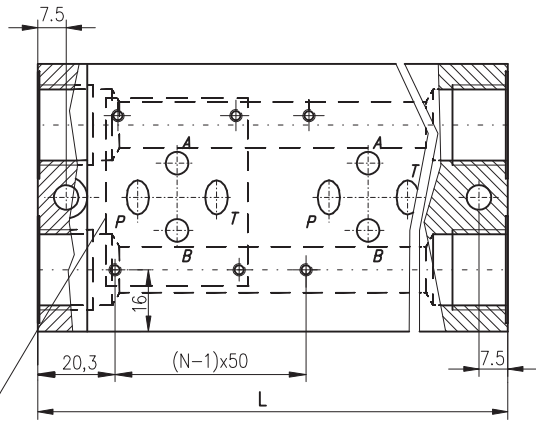
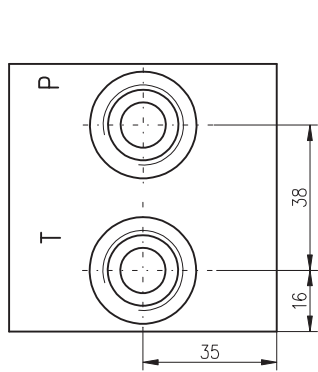


Designation	L(mm)
CM (NG6-1-RV22-AI) 200	105mm.
CM (NG6-2-RV22-AI) 200	155mm.
CM (NG6-3-RV22-AI) 200	205mm.
CM (NG6-4-RV22-AI) 200	255mm.
CM (NG6-5-RV22-AI) 200	305mm.
CM (NG6-6-RV22-AI) 200	355mm.
CM (NG6-7-RV22-AI) 200	405mm.

N - number of positions



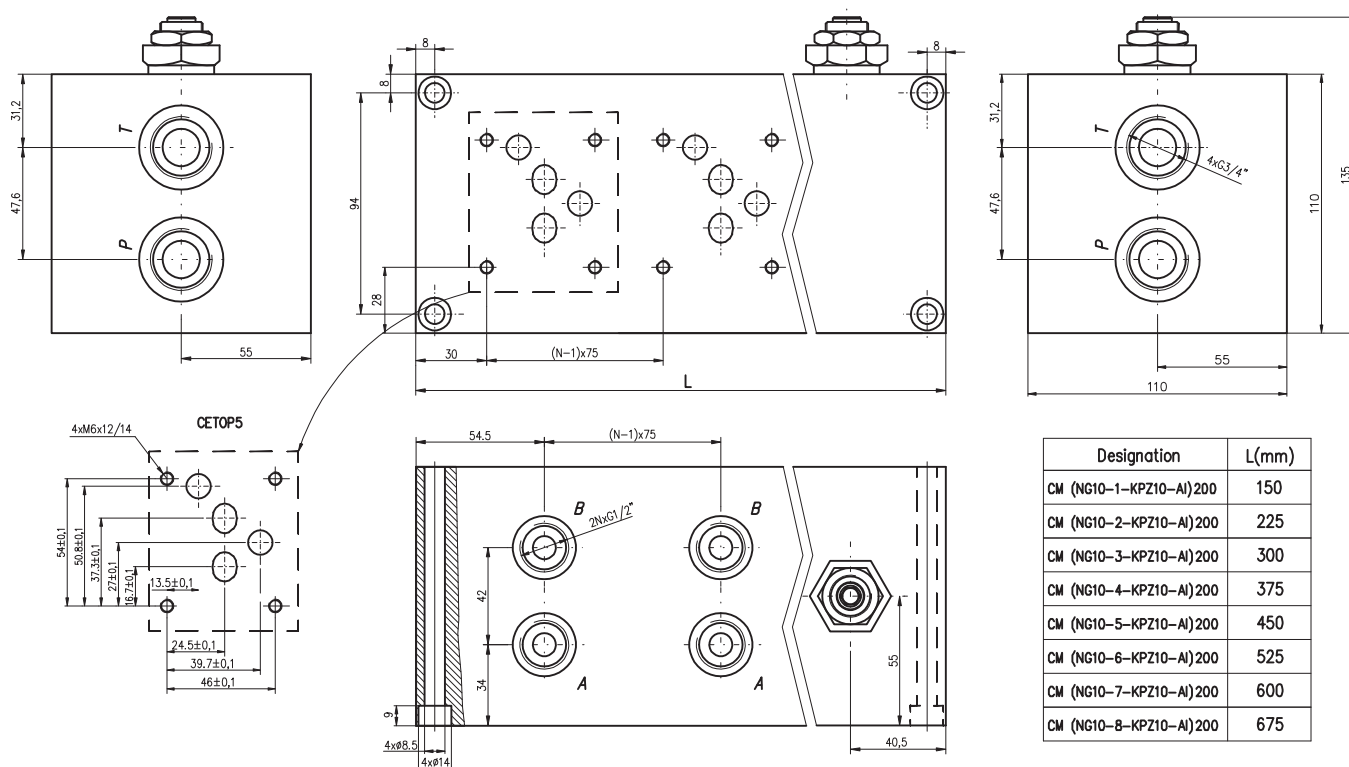
WITHOUT RELIEF VALVE



Designation	L(mm)
CM (NG6-1-AI)	73mm.
CM (NG6-2-AI)	123mm.
CM (NG6-3-AI)	173mm.
CM (NG6-4-AI)	223mm.
CM (NG6-5-AI)	273mm.
CM (NG6-6-AI)	323mm.
CM (NG6-7-AI)	373mm.
CM (NG6-8-AI)	423mm.

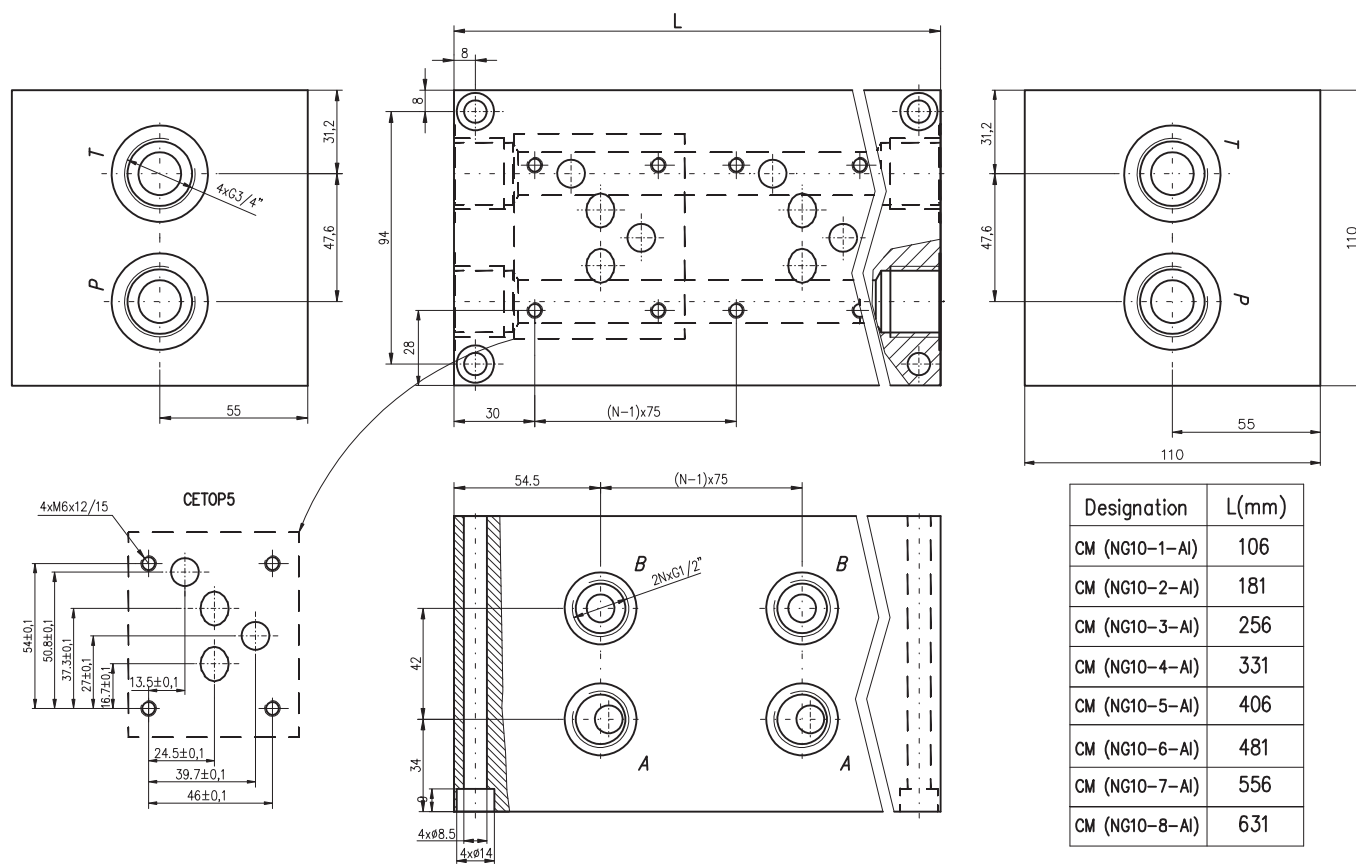
N - number of positions

WITH RELIEF VALVE



N - number of positions

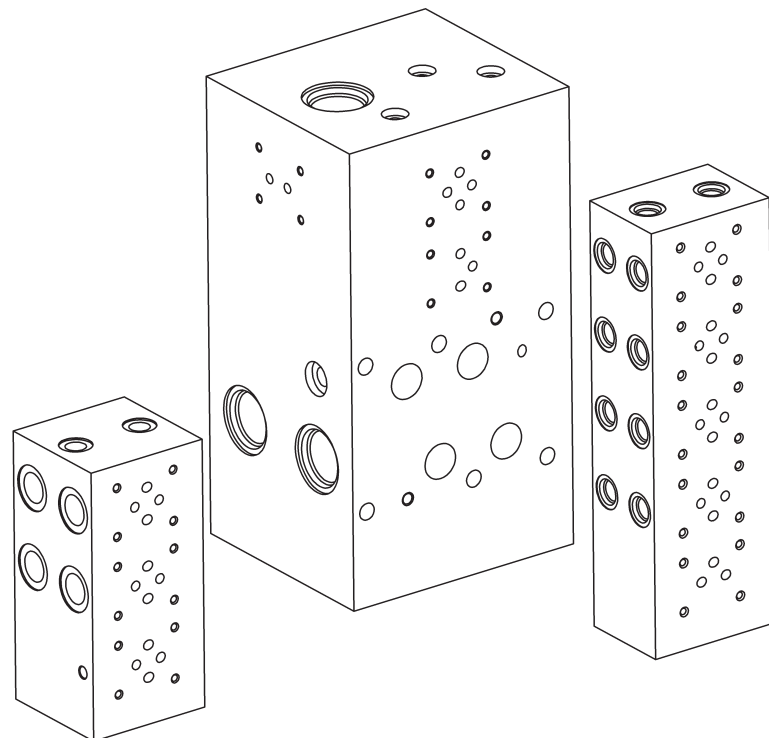
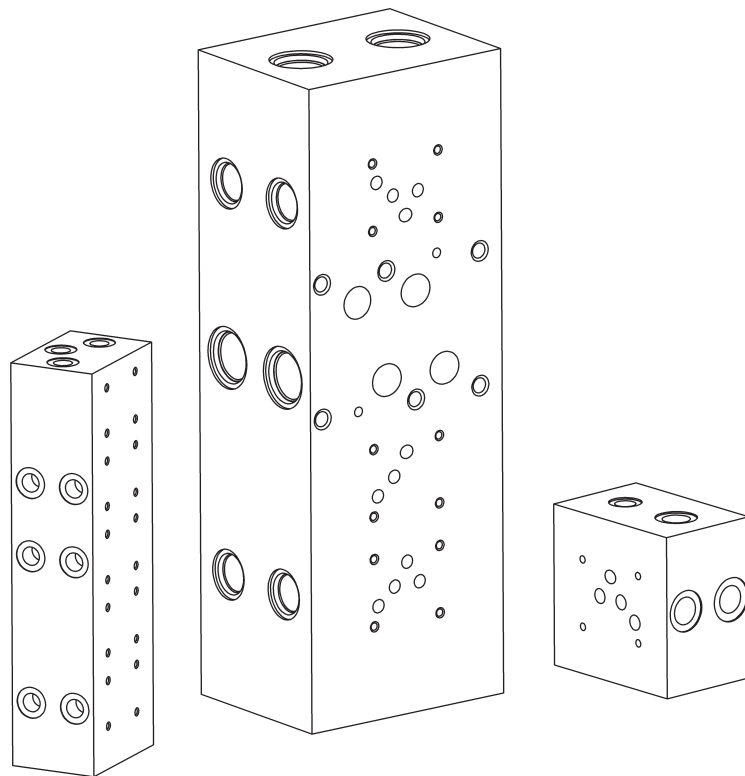
WITHOUT RELIEF VALVE



N - number of positions

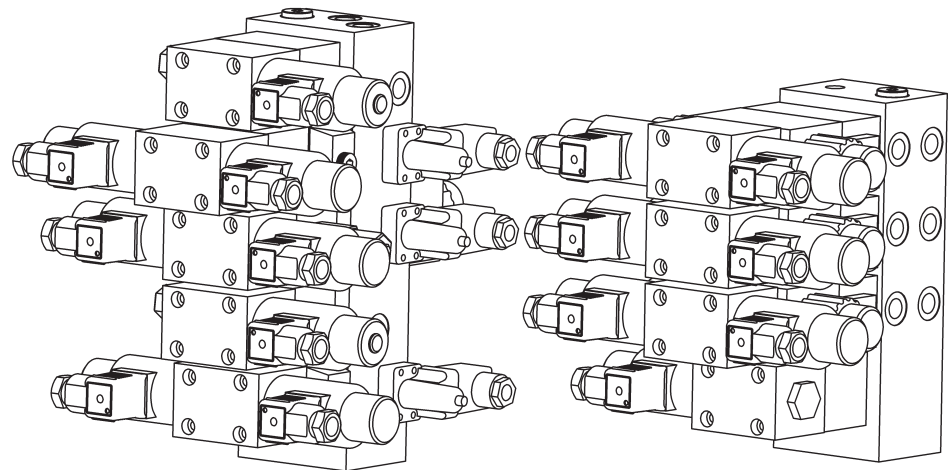
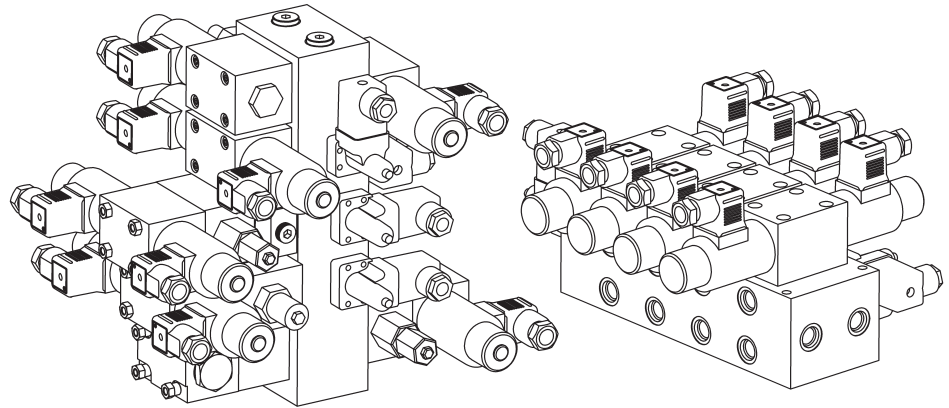
DESCRIPTION

- ✓ Customized manifolds , best suited to customer needs.
- ✓ Realized for wide range modular valves - Cetop 3 ; Cetop 5 ; Cetop 7 (NG 6 ; NG 10 ; NG 16).
- ✓ Designed for concrete applications and best operation of the machine.
- ✓ Material: steel , cast iron , aluminium.
- ✓ Dimensions: Over all dimensions are not according to standard. The optimal dimensions depend on the complexity of the realized scheme/function.
- ✓ Port threads P , T , A , B : metric (inche) on request.



DESCRIPTION

- ✓ Tailored for concrete applications and specific requirements.
- ✓ Tested and preset for integration in the hydraulic systems.
- ✓ The modular conception of manifolds assembly ensures reliability of the systems, easy assembly, operation and service.

MANIFOLDS ASSEMBLY

ORDERING CODE FOR MANIFOLDS

CM	(***	-	***	-	***	-	***)	***
Manifold										Pressure adjustment
Nominal bore:										range of valve:
		NG6		1						300 - 10,8...31,5MPa (for NG6)
		Ng10		2						2...32MPa (for NG10)
Number of positions:				3						200 - 1,5...21MPa (for NG6)
				4						1,5...20MPa (for NG10)
				5						100 - 0,8...10MPa (for NG6)
				6						0,5...10MPa (for NG10)
				7						
				8						
Relief valve:										Body material:
										Al - Aluminum
for manifold without valve - Omit										St - Steel
for NG6 - RV22										
for NG10 - KPZ10										