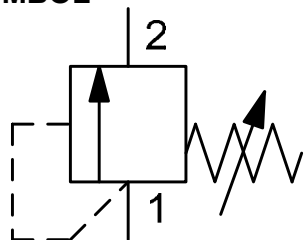


SYMBOL



up to 15 l/min
up to 350 bar

Pressure Relief Valve

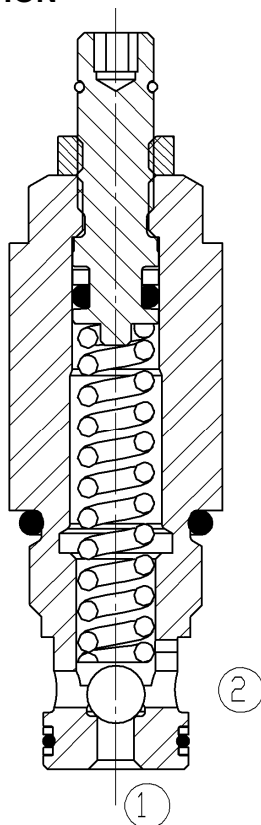
Ball type, direct acting

Cartridge-Minivalve – 350 bar

DB06A-01

UNF

FUNCTION



The Pressure relief valve DB06A is a direct acting, spring loaded ball valve. Its job is to limit the pressure in the system. The spring acts with a certain force on the ball and presses it on the valve seat. On the opposite side the system pressure works at port 1. If the hydraulic force is lower than the spring pressure the valve remains closed. Only if the force is higher, the valve opens and the flow will be let to port 2 (tank). If the system pressure is equal to the spring pressure the valve closes again.

Attention: Pressure at port 2 increases the opening pressure! If ports are interchanged or the pressure adjustment is higher than the operating pressure, the function of the valve is invalid.

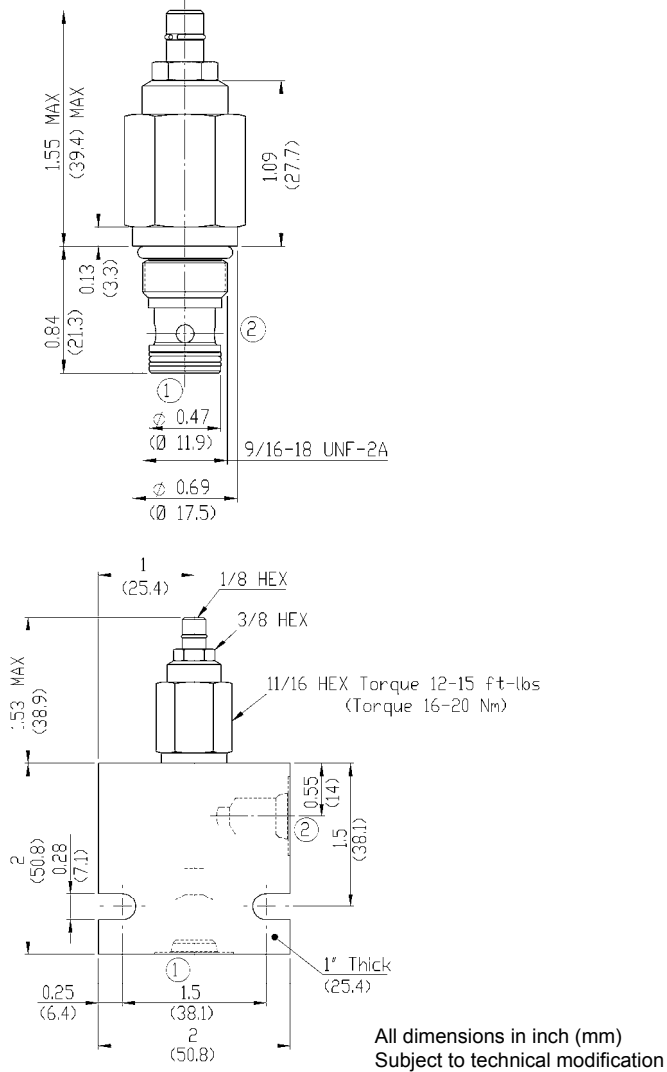
FEATURES

- All exposed surfaces corrosion-proof
- All valve parts made of high-strength steel with hardened and ground components to ensure minimal wear and extend service life
- Quick response
- Adjustable under full system pressure
- Adjustable across the entire pressure range
- Various pressure ranges up to 350 bar
- Foreseen for the maximal pressure protection of the system

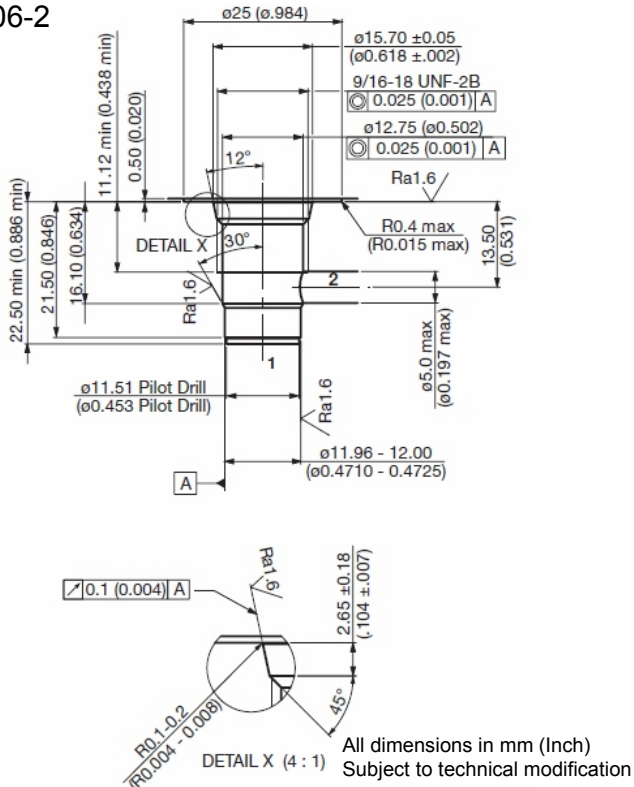
SPECIFICATIONS

Operating pressure:	max. 350 bar
Nominal flow:	max. 15 l/min
Pressure ranges:	0 up to 125 bar
	0 up to 210 bar
	35 up to 350 bar
	leakage-free, < max. 0,35 cm ³ /min at 75% nominal pressure
Leakage:	
Temperature range of operating fluid:	Min. – 30°C up to max. +100° C
Ambient temperature range:	Min. – 30°C up to max. + 60° C
Fluid:	Hydraulic fluid to DIN 51524 T1 + T2
Viscosity range:	min. 7,4 mm ² /s up to max. 420 mm ² /s
Filtration:	Class 21 / 19 /16 according to ISO 4406 or cleaner
Installation:	no orientation restrictions
Materials:	Valve body: steel with hardened work surfaces
	Ball: hardened steel
	Seals: NBR (Standard) FKM (optional, temperature range -20°C up to +120°C)
Back-up rings:	TPE-E
Cavity:	FC06-2
Weight:	0,068 kg



DIMENSIONS



CAVITY FC06-2



Tools

Code	Part No.	Image
Twist drill	2582046	
Countersink	2582047	

MODEL CODE

DB06A - 01 - C - N - 300 V 100

Basic model _____
Pressure relief valve, direct acting

Type _____
01 = Standard

Body & ports _____
C = cartridge only
*versions in line bodies on request

Seals _____
N = NBR (Standard)
V = FKM (optional)

Pressure range _____
180 = 0 up to 125 bar (1800PSI)
300 = 0 up to 210 bar (3000PSI)
500 = 35 up to 350 bar (5000PSI)

Adjustment option _____
V = adjustable by tool

Setting _____
omission = 50% of max. Pressure
100 = factory preset, pressure in PSI (/10)
Other pressures on request

Standard models

Name	Part No.
DB06A-01-C-N-180V	2610428
DB06A-01-C-N-330V	2610235
DB06A-01-C-N-500V	2610155
Other types on request	

*Line bodies

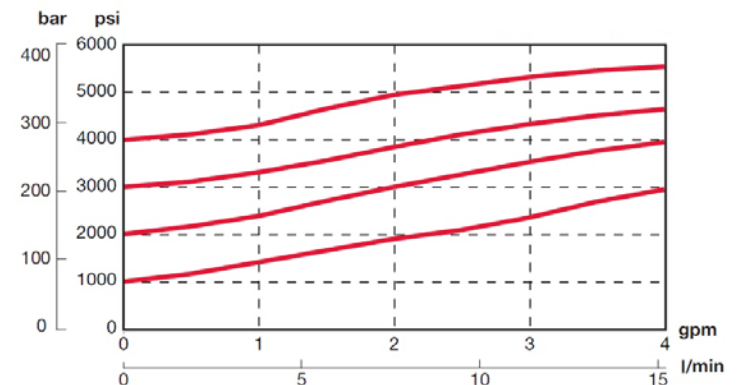
Code	Part No.	Material	Ports	Pressure
FH062-SB2	3740528	steel, zinc plated	G1/4	420 bar
FH062-AB2	3741297	Alu, anodized	G1/4	245 bar
other line bodies on request				

Seal kits

Code	Part No.
Seal kit-NBR	2610184
Seal kit-FKM	2610185

PERFORMANCE

Measured at 28 mm²/s and T oil = 38°C



Annotation
The technical information in this brochure are relating to the operating conditions and applications. At deviant applications and/or operating conditions please contact the technical dept. Technical information are subject to technical modifications.

HYDAC Fluidtechnik GmbH
Justus-von-Liebig-Str. 5
66280 Sulzbach / Saar
Tel.: 06897 / 509 -0
Fax: 06897 / 509 -598
Email: flutec@hydac.com