



Descriptions

DSM series pressure switch opens or closes electrical circuit depending on pressure is dropping or rising. Working pressure can be set from 0,2 bar to 12 bar. User can follow system pressure instantly thanks to manometer on the switch. They can be used under compressed air, fluids and gases.

- With manometer design.
- NA/NC, electrical connection by socket or fast-on terminal
- Reproducibility is inside of %1 set pressure
- NBR, HNBR, VITON seal equipments
- Body materials Stainless steel, brass or Steel options.

Applications

- Hydraulics and mobile hydraulics
- Pneumatics
- Heavy-Duty machinery
- Media; Compressed air, liquids and gases

Technical Features

Connection Process	: G1/4", G1/8", 1/4" BSPT, 1/8" BSPT, M10x1,0, M12 x 1,5, 1/8" NPT, 1/4" NPT
Reproducibility	: Inside of %1 set pressure
Working Temperature	: -40 °C...+90 °C
Vibration Test(DIN EN 60068-2-27)	: 20 g (Test Time 30 min.)
Shock Test (DIN EN 60068-2-27:1993)	: 30 g
Working Cycle	: 5 000 000 cycle
Viscosity Range	: 10 ile 800 mm ² /sec
Electrical Connection Feature	: 250 VAC 5A

Notes

These values are max. values and they can not be used at the same time

When you need to use the pressure switch in aggressive chemicals or fluids please contact with us.

You must stick to rules of clearance standards Hydraulic oils (fluids). Use filter to block system errors..

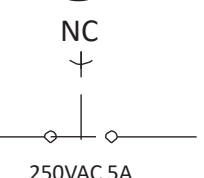
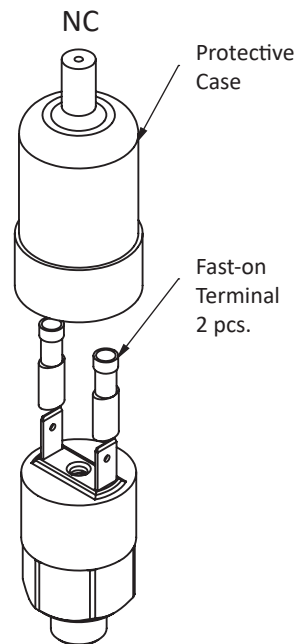
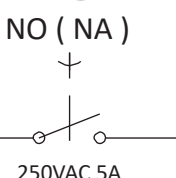
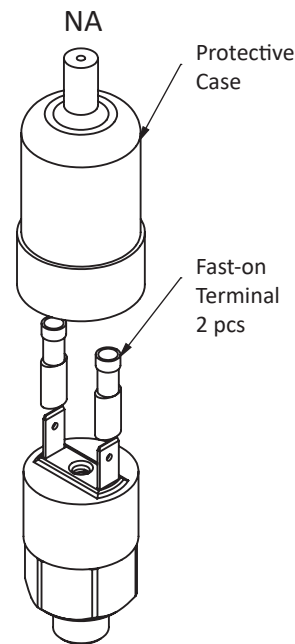
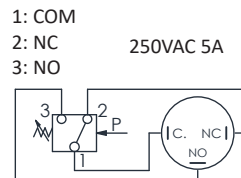
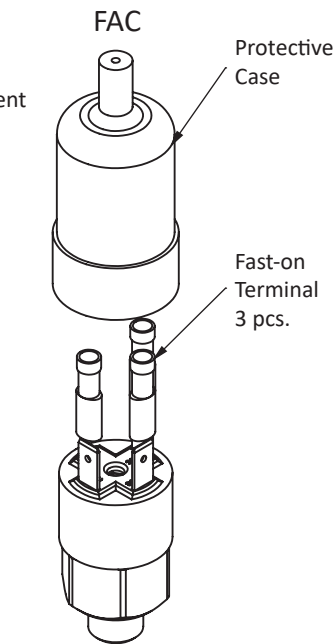
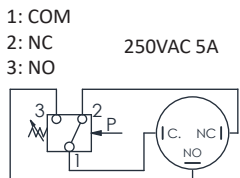
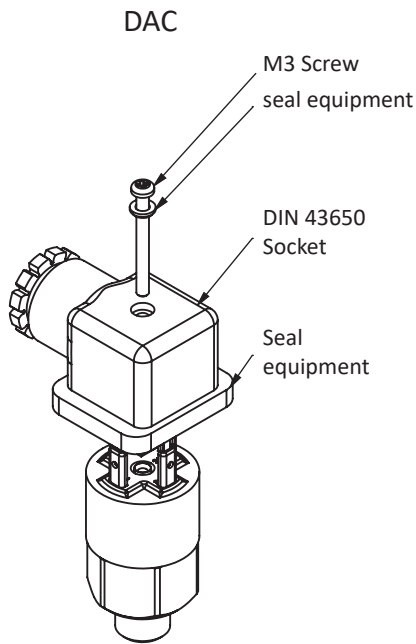
It is effective for long working life of pressure switches. Please avoid using out of indicated values to have a long service from pressure switch.

Order Codes

DSM	Model	Body	Leakageproof Type	Mechanical Connection	Electical Con. Type	Pressure		Set Pressure	Pressure Condition
						Code	P. Range (bar)		
DSM Model Basınç Anahtarı	Y Brass "MS58"	V VITON	A3 G1/4"	NA NO (NA) Delivered with Fast-on terminal	002 012	0,2 ... 2 1 ... 12	Ø40 - 2,5 bar Ø40 - 16 bar	If you need a product set in an indicated value, you can write pressure value	D Drop set pressure Y Rise set pressure
	Z Stainless "316 L"	E EPDM H HNBR	S3 1/4" BSPT S4 1/8" BSPT B1 M10 x1,0 B3 M12x1,5 N3 1/8"NPT N4 1/4"NPT	NC NC (NK) Delivered with Fast-on terminal FAC NO/NC Delivered with Fast-on terminal DAC NO/NC Delivered with DIN 43650 Socket					
	If you do not choose body material, It is accepted as zinc-plated steel.	If you do not choose any seal equipment, it is accepted as "NBR"							If you have indicated a set pressure please indicate pressure condition

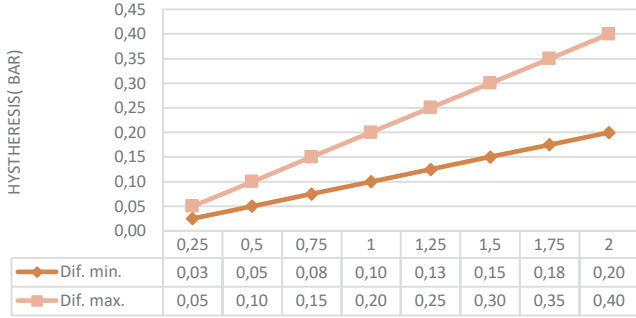
Not:
The minimum order quantity of the products starting with DSM A3 ... codes is 10. Order numbers must be 10 times and multiples.

Electrical Connection Types

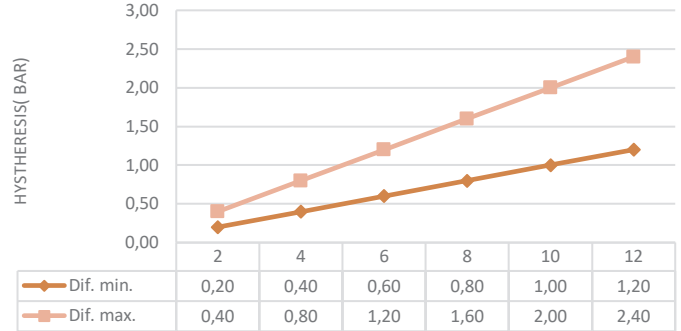


Pressure Differential Difference Graphics

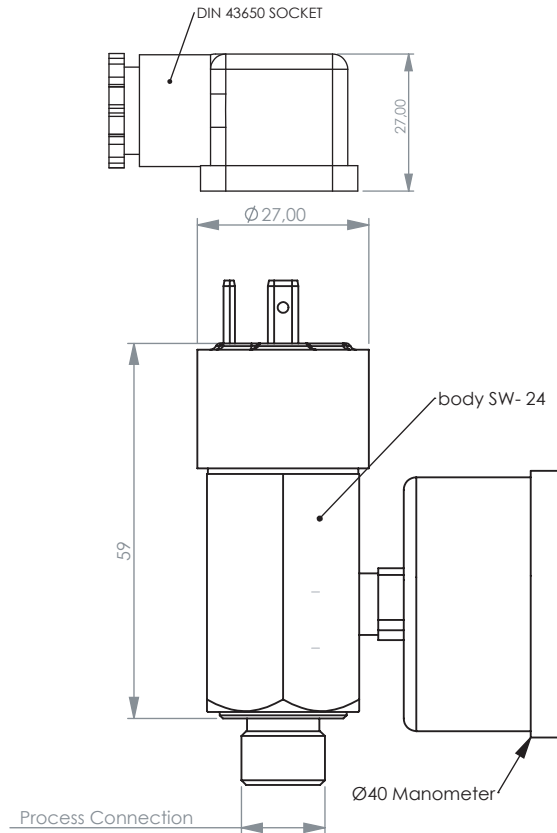
Working Pressure : It is set between 0,2 ... 2
Max. System pressure(Pmax) : 40 bar
Type : Diaphragm



Working Pressure : It is set between 1 ... 12
Max. System pressure(Pmax) : 40 bar
Type : Diaphragm



Technical Dimensions



PNOMEK
Safe pressure materials..

PNOMEK Hid. Pno. Mak. Kont. Cihazları San. Tic. Ltd. Sti
Cali Sanayi Bolgesi, Kirmizi Cd. No:16 Nilufer-BURSA / TURKEY
pnomek@pnomek.com.tr
T.: +90 (224) 251 63 45
F.: +90 (224) 251 63 46