

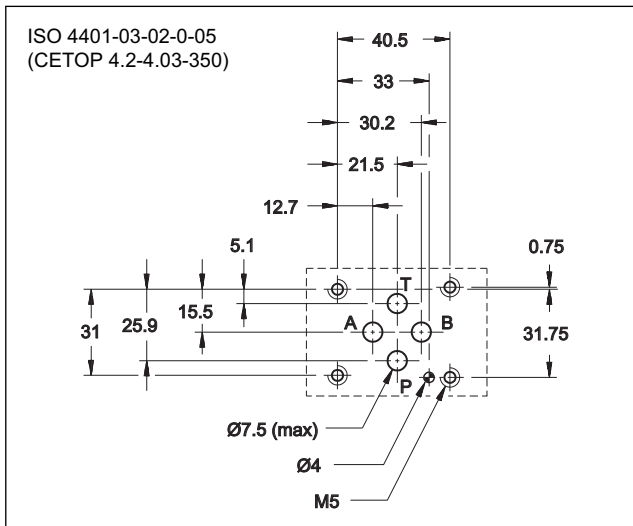
# DXE3J

## HIGH RESPONSE SERVO-PROPORTIONAL VALVE WITH FEEDBACK AND INTEGRATED ELECTRONICS SERIES 30

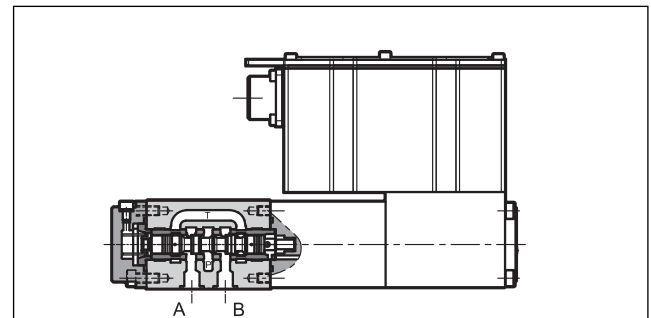
**SUBPLATE MOUNTING  
ISO 4401-03 (CETOP 03)**

**p max 350 bar  
Q max 70 l/min**

### MOUNTING INTERFACE



### OPERATING PRINCIPLE



- The DXE3J valve is a four-way (3 + fail-safe position) servo-proportional valve where the spool moves inside a sleeve. It is operated by a proportional solenoid highly dynamic, which achieves high performance and not requires pilot pressure. The spool position is controlled by a linear transducer (LVDT) in closed loop which ensures high precision and repeatability.
- It is available in four different flow ranges up to 40 l/min, with spools with zero overlap.

### PERFORMANCES

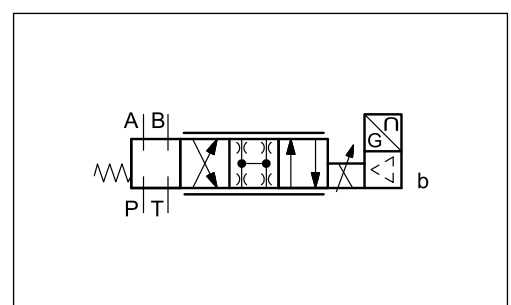
(with mineral oil of viscosity 36 cSt at 50°C)

Maximum operating pressure Ports P - A - B Port T	bar	350 250
Rated flow Q nom (with $\Delta p$ 70 bar P - T)	l/min	5 - 10 - 20 - 40
Hysteresis	% In	< 0,2
Threshold	% In	< 0,1
Thermal drift (with $\Delta T = 40$ °C)	% In	< 1,0
Response time (0-100%)	ms	$\leq 10$
Vibration on the three axes	g	30
Ambient temperature range	°C	-20 / +60
Fluid temperature range	°C	-20 / +80
Fluid viscosity range	cSt	5 + 400
Fluid contamination degree	according to ISO 4406:1999 class 17/15/12 (16/14/11 for longer life)	
Recommended viscosity	cSt	25
Mass	kg	2,6

— The valve is featured by integral electronic based on SMD technology which ensures standard regulations and simplifies the electric wiring. The unit does not require any adjustment other than the possible electronic regulation of the zero.

— Suitable for control applications with closed loop of position, velocity and pressure. With a power down or without the enable input, the spool moves automatically at fail-safe position.

### HYDRAULIC SYMBOL



## 1 - IDENTIFICATION CODE

D	X	E	3	J	-			/	30	-		K11	
---	---	---	---	---	---	--	--	---	----	---	--	-----	--

Servo-proportional valve with spool in sleeve

Electric proportional control

Size ISO 4401-03

On-board electronic and position feedback

Spools with linear flowrate curve

LZ = zero overlap for low leakage (**standard**)  
LU = zero overlap for higher gain

Rated flow (with  $\Delta p = 70$  bar P - T)

05 = 5 l/min    20 = 20 l/min  
10 = 10 l/min    40 = 40 l/min

Fail safe type

F1 = closed centre  
F3 = float  
FC = cross centre

Pin C function:  
A = external enable  
B = internal enable  
C = 0V monitor

6 + PE pole connector

Command value:  
E0 = voltage  $\pm 10$  V  
E1 = current  $4 \pm 20$  mA

Seals:  
N = NBR seals for mineral oil (**standard**)  
V = FPM seals for special fluids

Series No.  
(from 30 to 39 sizes and mounting dimensions remain unchanged)

## 2 - SPOOLS

leakage flow in fail safe position at 100 bar [cm <sup>3</sup> /min]	
F1	P → A    20
	P → B    30
	A → T    30
F3	P → A    20
	P → B    30

flow rate	spool type	fail safe type		
		F1	F3	FC
05	LZ	■	■	-
	LU	□	□	-
10	LZ	■	■	-
	LU	□	□	-
20	LZ	■	■	■
	LU	□	□	-
40	LZ	■	■	■
	LU	□	□	-

■ available   □ on request  
- not available

**FAIL SAFE POSITION**

When a power failure occurs, the electronics de/energize the solenoid and the spool will take the fail safe position by means of the centering springs.

## 3 - HYDRAULIC FLUIDS

Use mineral oil-based hydraulic fluids HL or HM type, according to ISO 6743-4. For these fluids, use NBR seals. For fluids HFDR type (phosphate esters) use FPM seals (code V). For the use of other kinds of fluid such as HFA, HFB, HFC, please consult our technical department.

Using fluids at temperatures higher than 80 °C causes a faster degradation of the fluid and of the seals characteristics.

The fluid must be preserved in its physical and chemical characteristics.

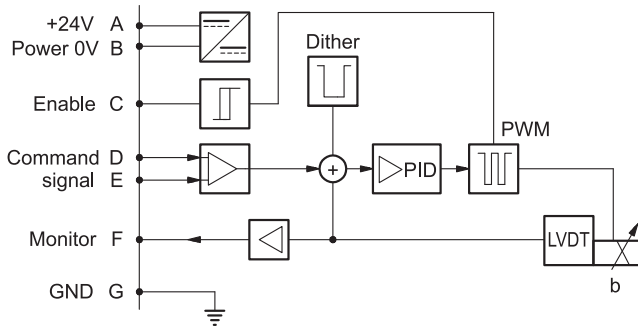
## 4 - ELECTRICAL CHARACTERISTICS

### 4.1 - Electrical on board electronics

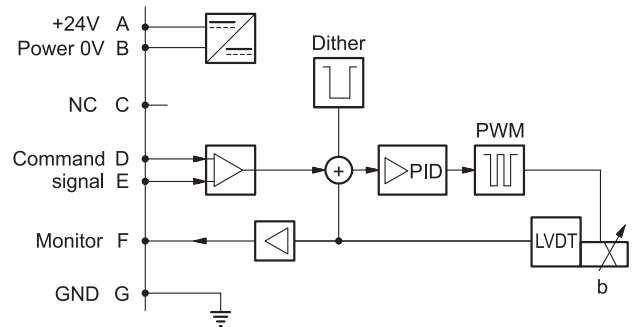
Duty cycle		100% (continuous operation)
Protection class according to EN 60529		IP65 / IP67
Supply voltage	V DC	24 (from 19 to 35 VDC), ripple max 3 Vpp
Power consumption	VA	35
Maximum solenoid current	A	2.6
Fuse protection, external		(fast), max current 4A
Command signals: voltage (E0) current (E1)	V DC mA	$\pm 10$ (Impedance $R_i > 11\text{ k}\Omega$ ) $4 \div 20$ (Impedance $R_i = 58\ \Omega$ )
Monitor signals: voltage (E0) current (E1)	V DC mA	$\pm 10$ (Impedance $R_o > 1\text{ k}\Omega$ ) $4 \div 20$ (Impedance $R_o = 500\ \Omega$ )
Managed breakdowns		Overload and electronics overheating, LVDT sensor error, cable breakdown, supply voltage failure
Communication		LIN-bus Interface (with the optional kit)
Connection		7 - pin MIL-C-5015-G (DIN-EN 175201-804)
Electromagnetic compatibility (EMC) emissions EN 61000-6-4 immunity EN 61000-6-2		According to 2004/108/EC standards

### 4.2 - On-board electronics diagrams

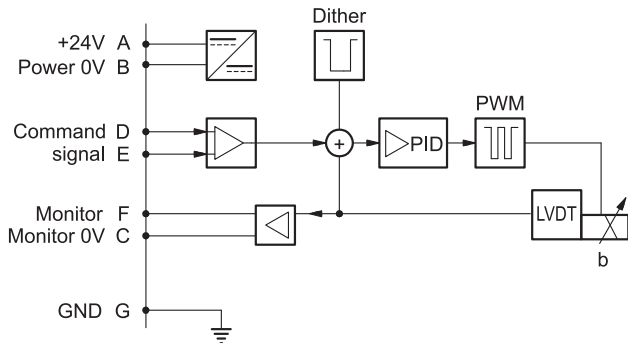
VERSION A - External Enable



VERSION B - Internal Enable

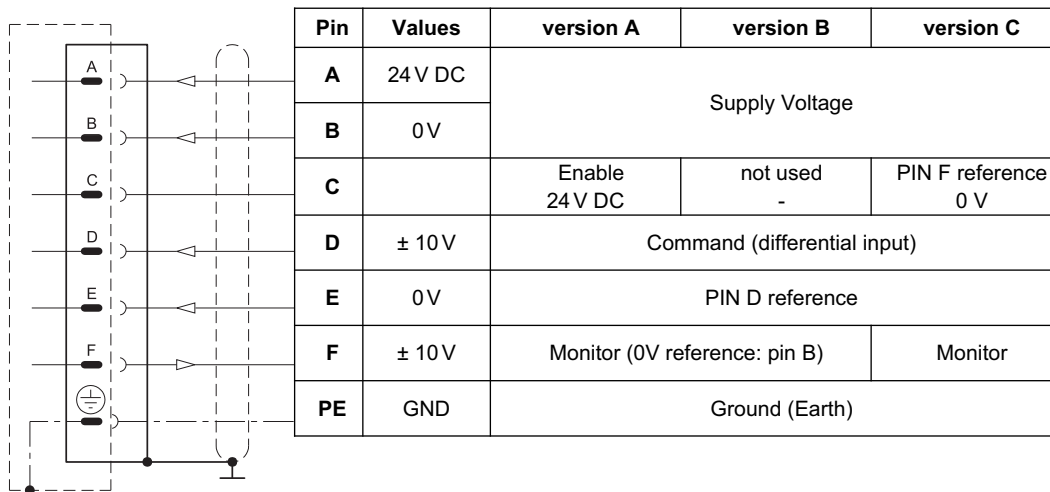
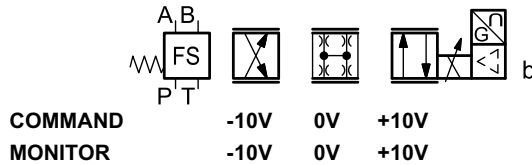


VERSION C - 0V Monitor



## 5 - VERSIONS WITH VOLTAGE COMMAND (E0)

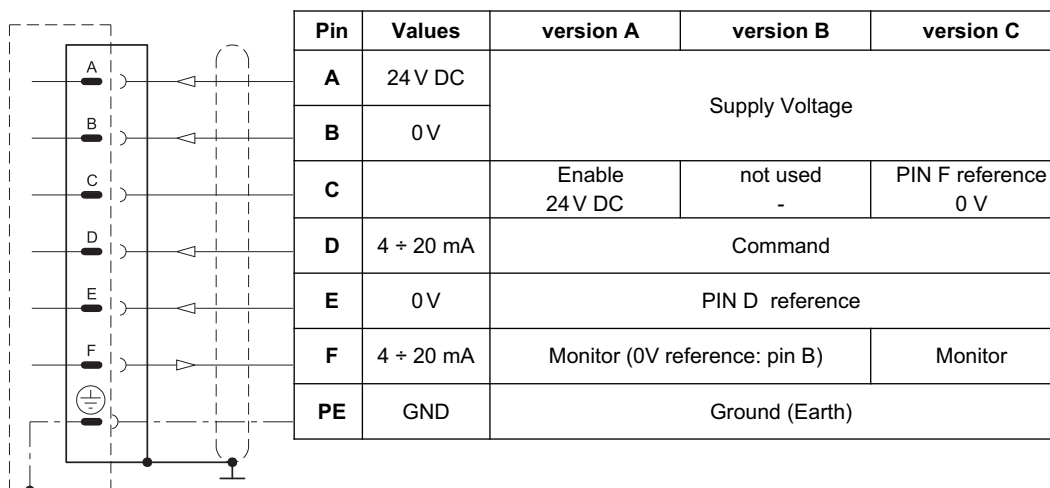
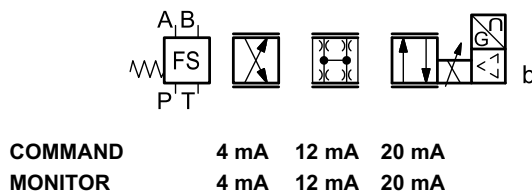
The reference signal must be between -10V and +10V. The monitor feature of versions B and C becomes available with a delay of 0,5 sec from the power-on of the card.



## 6 - VERSIONS WITH CURRENT COMMAND (E1)

The reference signal is supplied in current  $4 \pm 20$  mA. If the current for command is lower the card shows a breakdown cable error. To reset the error is sufficient to restore the signal.

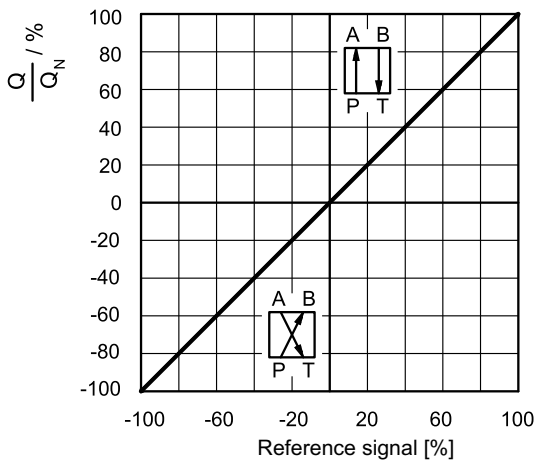
The monitor feature of versions B and C becomes available with a delay of 0,5 sec from the power-on of the card.



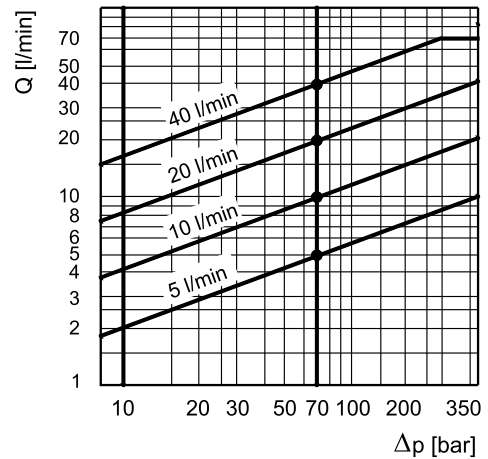
## 7 - CHARACTERISTIC CURVES

(measured with viscosity of 36 cSt at 50°C)

REFERENCE / FLOW RATE CURVE



FLOW RATE CURVE ACCORDING TO  $\Delta p$

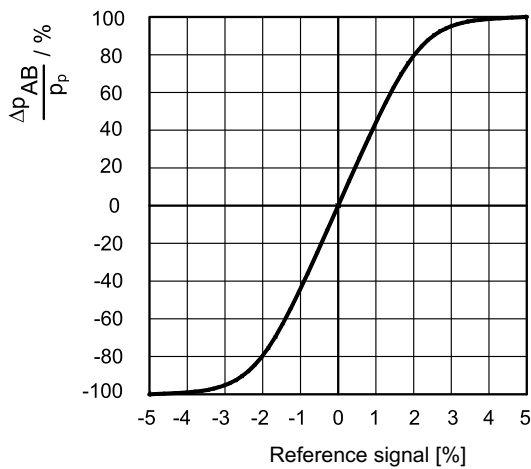


Typical flow rate curves at constant  $\Delta p = 70$  bar P-T according to the reference signal.

**NOTE:** with positive reference signal connected to pin D the valve regulates P - A / B - T.

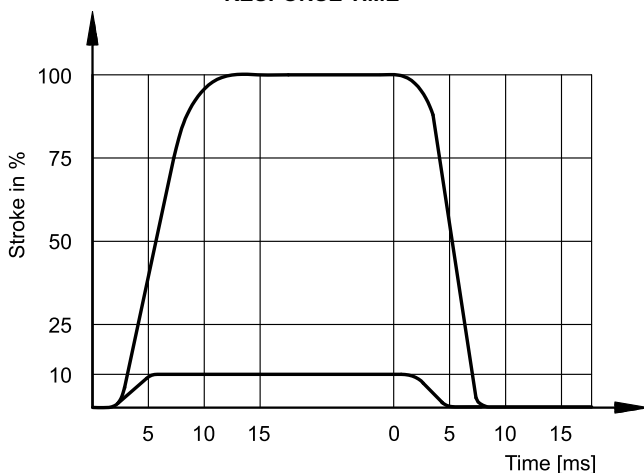
The diagram states the maximum valve controlled flow rate according to the pressure drop between the P and T ports.

PRESSURE GAIN (LZ)

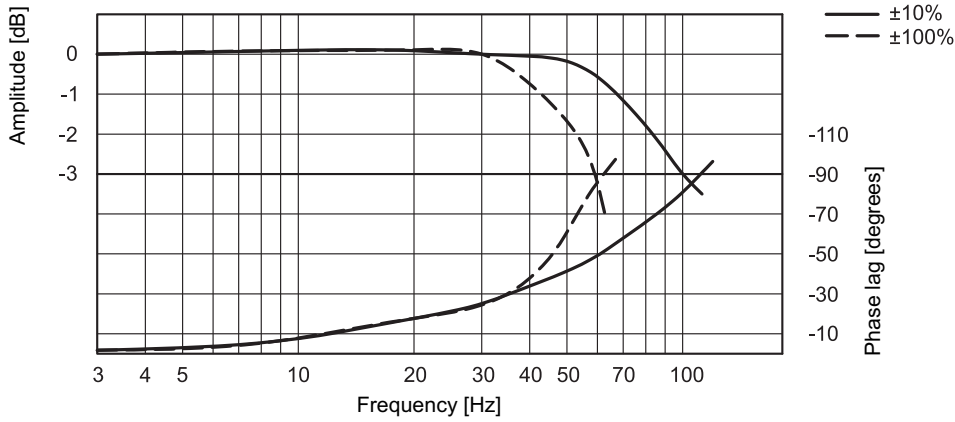


The diagram shows the valve pressure gain, expressed as % of the ratio between the port pressure variation in A or B ( $\Delta p_{AB}$ ) and the P system pressure, according to the reference signal. In practice, the pressure gain states the valve reaction towards external disturbances aimed at changing the actuator position.

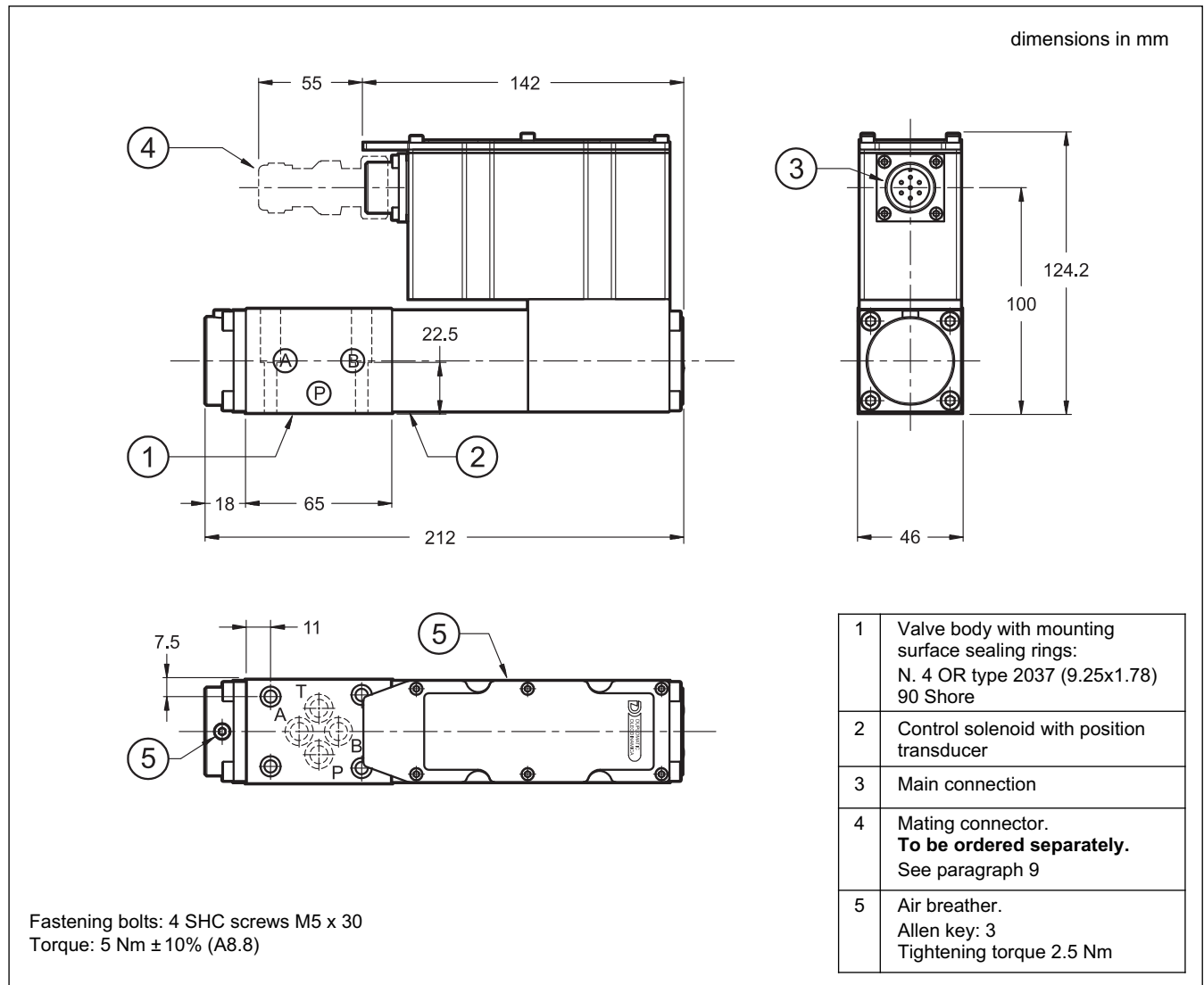
RESPONSE TIME



### FREQUENCY RESPONSE



### 8 - OVERALL AND MOUNTING DIMENSIONS

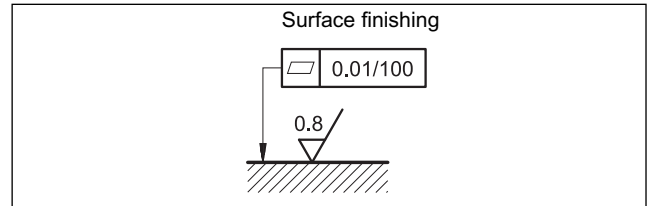


## 9 - INSTALLATION

The valves can be installed in any position without impairing correct operation.

Valves are fixed by means of screws or tie rods on a flat surface with planarity and roughness equal to or better than those indicated in the relative symbols. If minimum values are not observed, fluid can easily leak between the valve and support surface.

Take care to the cleanliness of the mounting surfaces and surrounding environment upon installation.



## 10 - ACCESSORIES

(to be ordered separately)

### 10.1 Mating connector

These valves have a plug for 7-pin mating connector, that is placed on the box of the integral motion control.

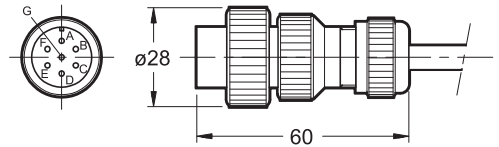


So as to avoid electromagnetic troubles and comply with the electromagnetic compatibility regulation EMC, it is recommended the use of a metal connector.

If a plastic connector is used, make sure that the protection characteristics IP and EMC of the valve are guaranteed.

Diplomatic can provide a metal cable connector type MIL-C-5015-G (EN 175201-804).

name: **EX7S/L/10** code **3890000003**



### 10.2 - Connection cables size

Power supply:

- up to 20 m cable length : 1,0 mm<sup>2</sup>
- up to 40 m cable length : 1,5 mm<sup>2</sup>

Signal: 0,50 mm<sup>2</sup>

A suitable cable would have 7 isolated conductors, a separate screen for the signal wires and an overall screen.

### 10.3 - Kit for start-up LINPC-USB

Device for service start-up and diagnostic, see catalogue 89850.

## 11 - SUBPLATES

(see catalogue 51 000)

PMMD-AI3G rear ports
PMMD-AL3G side ports
Ports dimensions: P, T, A, B: 3/8" BSP



# DXE3J

SERIES 30



**DIPLOMATIC OLEODINAMICA S.p.A.**  
20015 PARABIAGO (MI) • Via M. Re Depaolini 24  
Tel. +39 0331.895.111  
Fax +39 0331.895.339  
[www.diplomatic.com](http://www.diplomatic.com) • e-mail: [sales.exp@diplomatic.com](mailto:sales.exp@diplomatic.com)

