

Supports for Hydraulic Accumulators



1. DESCRIPTION

1.1. GENERAL

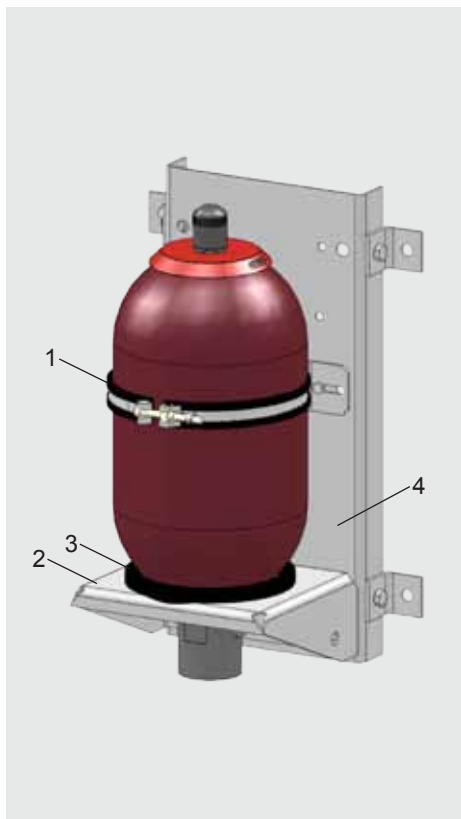
HYDAC supports are used to mount all types of hydraulic accumulator safely and simply, irrespective of the installation position and location. Clamps, consoles and complete accumulator sets are available.

1.2. USE

The supports are designed for static use. For dynamic stresses, specially designed clamps are available on request.

2. SELECTION TABLES FOR SUPPORTS

2.1. BLADDER ACCUMULATOR

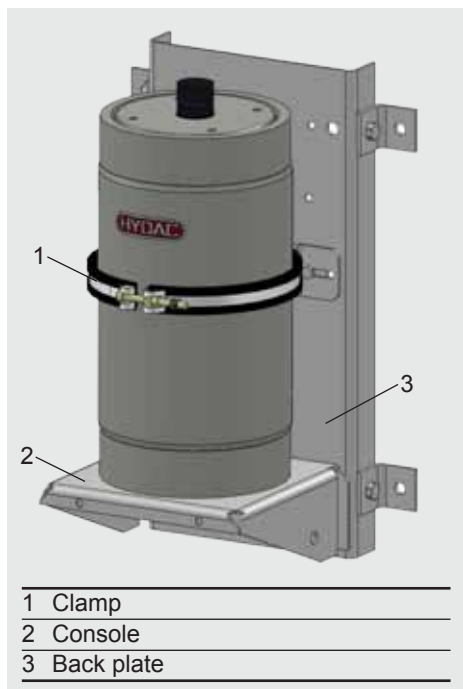


- 1 Clamp
- 2 Console
- 3 Rubber support ring
- 4 Back plate

Type	Nominal volume [l]																								
	SB330				SB400				SB 550		SB500 / SB600		SB35		SB40		SB35H		SB35HB		SN				
	1	2.5+5	4+6	10-24	32-50	0.5	4	10-20	32-50	1	2.5-5	10-20	32-50	2.5-5	10-20	32-50	2.5-5	10-20	32-50	20	32-50	20	32-50	50	
Clamps*																									
HyRac 89-92 ST						1																			
HyRac 106-114/115 H3 ST														2		2									
HyRac 110-118/124 H10 ST	1	2																							
HyRac 121-129/133 H8 ST										1	2														
HyRac 167-175/178 H5 ST			1				1																		
HyRac 202-210/214 H8 ST														1	2					1	2				
HyRac 216-224/226 H5 ST																1	2					1	2		
HyRac 223-230/231 H3 ST				1	2																				2
HyRac 225-234/234 H3 ST								1	2																
HSS 242														1	2										
Consoles																									
KBK 167 / G			1				1																		
KBK 222 / G				1	1			1	1				1	1		1	1		1	1					1
KHF 210 / G																				1	1	1	1		
Accumulator set																									
SEB	1	1	1	1		1	1	1																	
SEH												1	1	1											
SEN														1	1	1									
SEM																1	1	1							
SEHF																					1	1			
SEHB																							1	1	

* The number of clamps can vary depending on the requirements and on the length of the accumulator. These are recommendations.

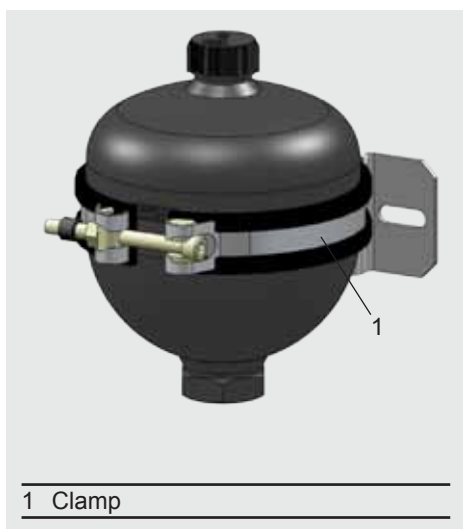
2.2. PISTON ACCUMULATOR



	Piston diameter [mm]											
	50	60	80	100	150	180	250	> 250				
Type	Accumulator external diameter [mm]											
	60	70	95	100	120	125	180	210	220	286	300	> 300
Clamps SK280*												
HRGKSM 0 R 58-61/62 ST	●											on request
HRGKSM 0 R 70-73/73 ST		●										
HRGKSM 0 R 92-95/96 ST			●									
HRGKSM 1 R 119-127/124 ST					●							
Clamps SK Standard*												
HyRac 96-100/100 ST				●								on request
HyRac 121-129/133 H8 ST					●							
HyRac 176-185/187 H5 ST						●						
HyRac 209-217/223 H10 ST							●					
HyRac 216-224/226 H5 ST								●				
HSS 286										●		
HSS 310											●	
Consoles												
KBK 126						1						on request
KBK 219								1	1			
KBK 310										1	1	

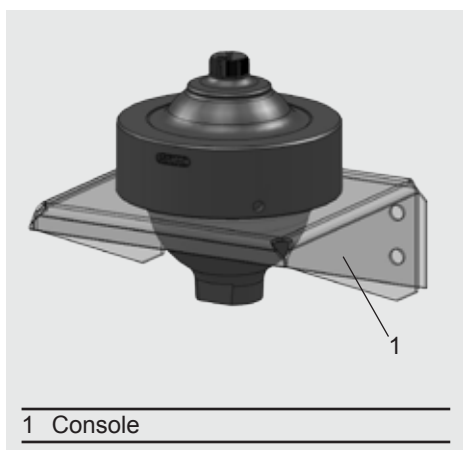
* Selecting the correct clamp depends on the external diameter of the accumulator. Depending on the application and length of the accumulator, we recommend that several clamps are used. Clamps must be mounted near the end caps in order to prevent deformation of the cylinder.

2.3. DIAPHRAGM ACCUMULATOR (WELD TYPE)



Accumulator type	Clamps
SBO250-0.075E	HyRac 62-65 ST
SBO210-0.16E	HyRac 73-76 ST
SBO210-0.32E	HyRac 92-95/96 ST
SBO210-0.5E	HyRac 100-105/106 H3 ST
SBO100-0.7E	HyRac 106-114/115 H3 ST
SBO330-0.6E	HyRac 110-118/124 H10 ST
SBO330-0.7E	
SBO210-0.75E	HyRac 121-129/133 H8 ST
SBO330-0.75E	
SBO200-1E	HyRac 133-142/142 H3 ST
SBO140-1.4E	HyRac 143-151/151 H3 ST
SBO210-1.4E	
SBO330-1.4E	HyRac 152-159/160 H3 ST
SBO100-2E	HyRac 160-167/169 H5 ST
SBO210-2E	HyRac 167-175/178 H5 ST
SBO210-2.8E	
SBO250-3.5E	
SBO330-2E	
SBO330-2.8E	
SBO330-3.5E	

2.4. DIAPHRAGM ACCUMULATOR (SCREW TYPE)



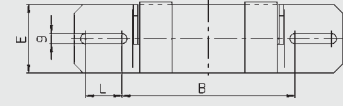
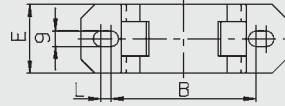
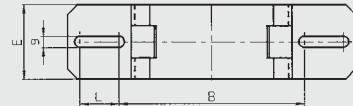
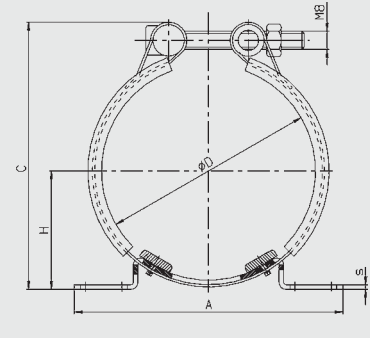
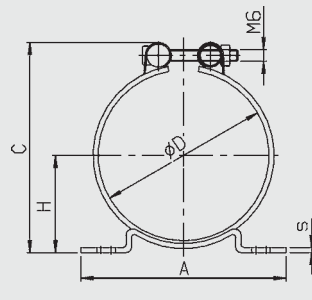
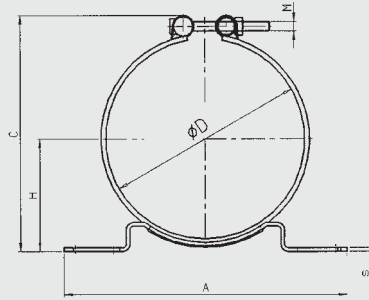
Accumulator type	Console
SBO210-1.3A6	KMS 200
SBO400-1.3A6	KMS 210
SBO100-2.0A6	KMS 220
SBO250-2.0A6	
SBO210-2.8A6	KMS 250
SBO400-2.8A6	KMS 280
SBO210-4.0A6	KMS 300
SBO400-4.0A6	KMS 310

3. CLAMPS

HRGKSM

HyRac ($\text{ØD} \leq 100 \text{ mm}$)

HyRac ($\text{ØD} \geq 100 \text{ mm}$)



Fastening, Foot
Clamping band
Insert

zinc-plated
stainless steel
LDPE

Fastening, Foot
Clamping band
Insert

zinc-plated
stainless steel
PE

Fastening, Foot
Clamping band
Insert

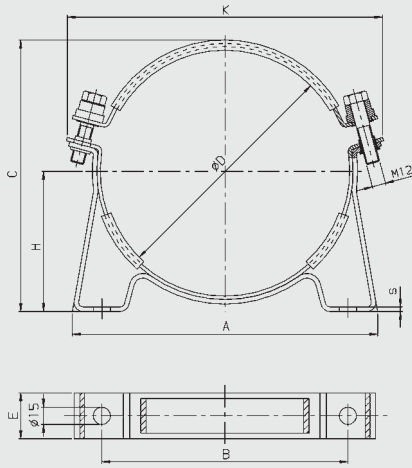
zinc-plated
stainless steel
PE, NBR

Designation	Part no.	A [mm]	B [mm]	C max [mm]	ØD (from - to) [mm]	H (from - to) [mm]	E [mm]	L [mm]	S [mm]	K max. [mm]	Weight [kg]
HRGKSM 0 R 58-61/62 ST	3018442	120	85	83	58 - 61	37.3 - 38.8	40	6	3	-	0.16
HRGKSM 0 R 70-73/73 ST	3018444			93	70 - 73	42.0 - 43.5					0.21
HRGKSM 0 R 92-95/96 ST	444995			115	92 - 95	52.5 - 54.0					0.24
HRGKSM 1 R 119-127/124 ST	444505	158	100	154	119 - 127	66.8 - 70.8	50	18	-	-	0.36
HyRac 62-65 ST	445037	120	85	85	62 - 65	38 - 39.5	40	8	3	-	0.16
HyRac 73-76 ST	445038			96	73 - 76	43.5 - 45					0.16
HyRac 89-92 ST	445039			112	89 - 92	51 - 52.5					0.17
HyRac 92-95/96 ST	445040			115	92 - 95	52.5 - 54					0.17
HyRac 96-100/100 ST	445041			120	96 - 100	54.5 - 56.5					0.17
HyRac 100-105/106 H3 ST	444904	156	100	135	100 - 105	59 - 62	60	18	3	-	0.40
HyRac 106-114/115 H3 ST	444905			143	106 - 114	62.5 - 66					0.41
HyRac 110-118/124 H10 ST	445042			156	110 - 118	72.5 - 77					0.42
HyRac 121-129/133 H8 ST	444906			165	121 - 129	75.5 - 80					0.43
HyRac 133-142/142 H3 ST	444907			174	133 - 142	76.5 - 82.5					0.44
HyRac 143-151/151 H3 ST	444908			182	143 - 151	83 - 86.5					0.45
HyRac 152-159/160 H3 ST	444909			191	152 - 159	87 - 91					0.46
HyRac 160-167/169 H5 ST	444910			197	160 - 167	89 - 93					0.70
HyRac 167-175/178 H5 ST	445043	207	167 - 175	92.5 - 96.5	0.72						
HyRac 176-185/187 H5 ST	445044	241	176 - 185	97 - 102.5	0.75						
HyRac 202-210/214 H8 ST	445045	236	152	245	202 - 210	116 - 120	60	32	4	-	0.76
HyRac 209-217/223 H10 ST	445046			255	209 - 217	122.5 - 126.5					0.77
HyRac 216-224/226 H5 ST	445047			256	216 - 224	120 - 124					0.77
HyRac 223-230/231 H3 ST	445048			259	223 - 230	120.5 - 123.5					0.78
HyRac 225-234/234 H3 ST	445049			265	225 - 234	123 - 127.5					0.79

Model/order code (example):

HyRac 167-175/178 H5 ST 445043

HSS



Clamp zinc-plated

Insert NBR

Description	Part no.	A [mm]	B [mm]	C max [mm]	ØD (from - to) [mm]	H (from - to) [mm]	E [mm]	L [mm]	S [mm]	K max. [mm]	Weight [kg]
HSS 222/229	235224	270	216	244	226	123	40	Ø15	4	295	1.70
HSS 242	362712	268	216	265	242	136				305	1.70
HSS 286	237395	332	280	314	286	163				355	2.10
HSS 310	237389	332	280	333	310	170				380	2.10
HSS 360	355592	427	365	383	360	195				424	2.50

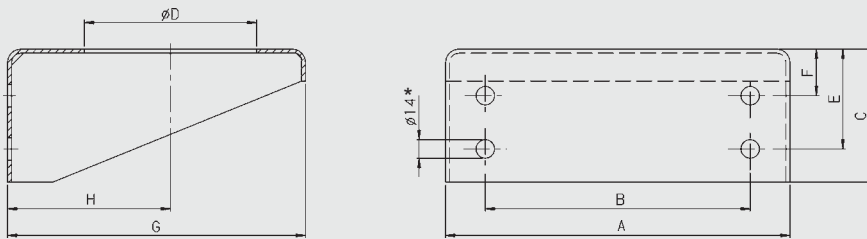
Model/order code (example):

HSS 222/229 235224

4. CONSOLES

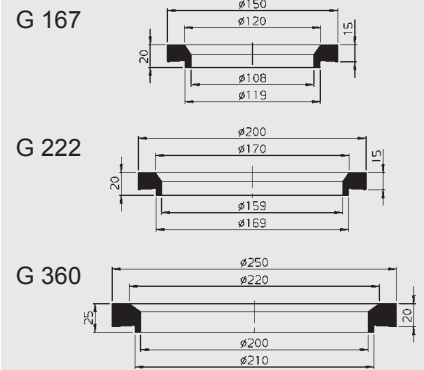
4.1. CONSOLE KBK FOR BLADDER AND PISTON ACCUMULATOR

Console KBK



* Ø22 on KBK 310 and KBK 360

Rubber support ring G



Type	Mat.	Part no.	A [mm]	B [mm]	C [mm]	ØD [mm]	E [mm]	F [mm]	G [mm]	H [mm]	Weight [kg]
126	STZN	290530	175	100	60	65	36	—	150	77	1.1
167		238526	260	200	100	120	75	35	225	92	2.5
219		238042	270	180		135	80	40	250	123	6.5
222		3002160	260	200		170	75	35	225		2.4
310		238043	330	220	200	190	140	60	340	170	18.3
360		357959	390	270	240	211	180		390	195	20.1

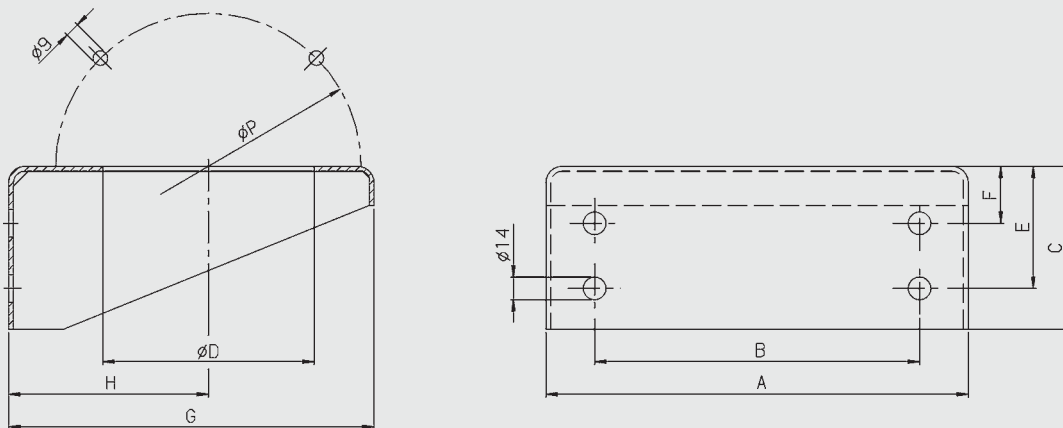
Type	Material	Part no.
—	NBR	—
167		236997
—		—
222		236996
—		—
360		355966

Model/order code (example):

KBK 167 STZN 238526

G 167 NBR 236997

4.2. CONSOLE KMS FOR SCREW TYPE DIAPHRAGM ACCUMULATOR



The screw type diaphragm accumulator has threaded bores M8 in the lock nut for fixing to the KMS console.

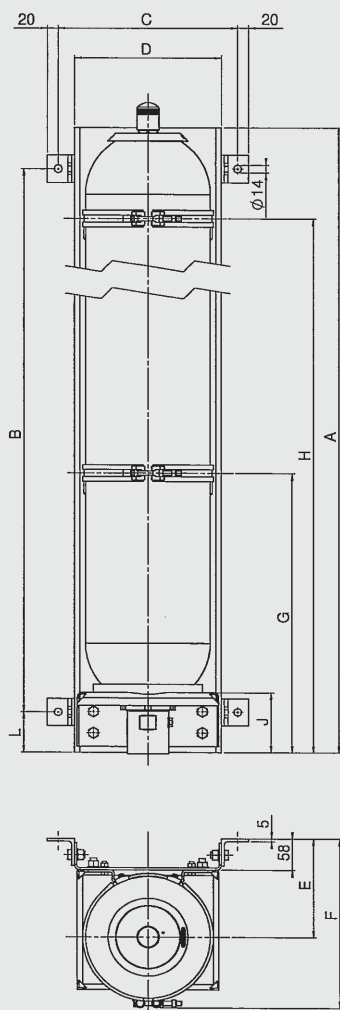
Type	Mat.	Part no.	A [mm]	B [mm]	C [mm]	ØD [mm]	ØP [mm]	E [mm]	F [mm]	G [mm]	H [mm]	ØI [mm]	Weight [kg]	
200	STZN	359931	270	180	100	148	160	80	40	250	123	14	6.5	
210		358989				170	180							
220		359922	260	200		170	188	75	35				225	2.4
250		359924				192	204							
280		359925	330	220	200	215	230	140	60	340	170	22	18.3	
300		359926				220	235							
310		359927				245	265							
320		359928				290	305							

Model/order code (example):

KMS 200 STZN 359931

5. ACCUMULATOR SET FOR BLADDER ACCUMULATORS

SEB, SEH, SEM



5.1. SEB FOR SB330/440

Accumulator set	Part no.	Vol. [l]	A [mm]	B [mm]	C [mm]	D [mm]	E [mm]	F [mm]	G [mm]	H [mm]	L [mm]	J [mm]
SEB 2.5	290787	2.5	460	310	198	138	133	214	220	410	75	–
SEB 4	238403	4	410	320	330	270	152	265	–	270	45	95
SEB 6	2115851	6	570	420	330	270				180	317	415
SEB 10	238407	10					500					
SEB 20	240598	20	1340	1190	330	270	180	317	500	1160	75	111
SEB 32	238409	32										
SEB 50	240599	50										

This accumulator set SEB is also available with a SAF and SB330 as a compact unit (ACCUSET SB330).

See catalogue section:

- ACCUSET SB
No. 3.503

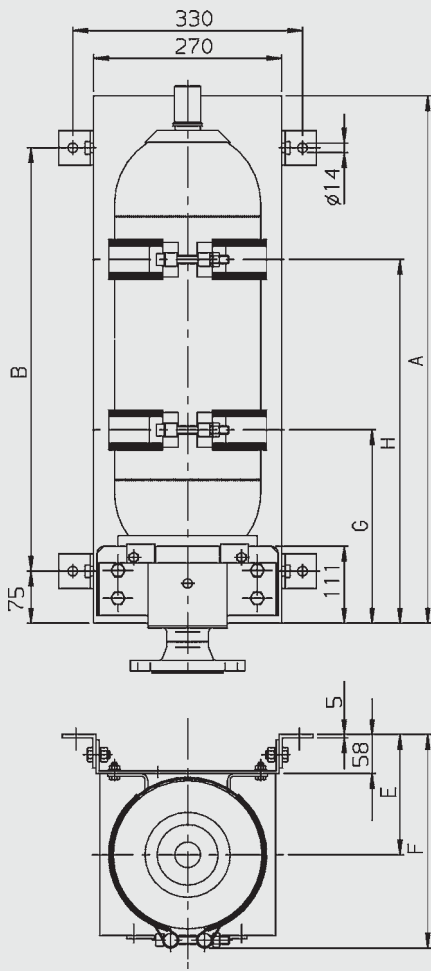
5.2. SEH FOR SB500/550/600

Accumulator set	Part no.	Vol. [l]	A [mm]	B [mm]	C [mm]	D [mm]	E [mm]	F [mm]	G [mm]	H [mm]	L [mm]	J [mm]
SEH 2.5	2105194	2.5	460	310	198	138	133.5	223	220	410	75	–
SEH 5	2105195	5	750	600						650		
SEH 10	378952	10	570	420	330	270	194	323	–	330	111	
SEH 20	298181	20								500		
SEH 32	298182	32	1340	1190	330	270	194	323	500	1160	75	111
SEH 50	298183	50										

5.3. SEM FOR SB40

Accumulator set	Part no.	Vol. [l]	A [mm]	B [mm]	C [mm]	D [mm]	E [mm]	F [mm]	G [mm]	H [mm]	L [mm]	J [mm]
SEM 2.5	3007402	2.5	460	310	198	138	121.5	201	220	410	75	–
SEM 5	3007423	5	750	600						650		
SEM 10	3007424	10	570	420	330	270	172	310	–	330	111	
SEM 20	3007425	20								500		
SEM 32	3007426	32	1340	1190	330	270	172	310	500	1160	75	111
SEM 50	3007427	50										

SEHB



5.4. SEHB FOR SB35HB

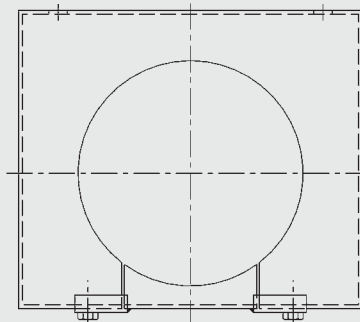
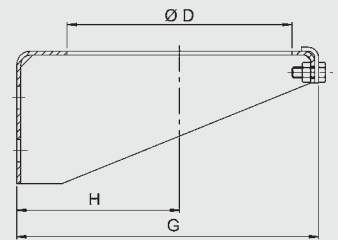
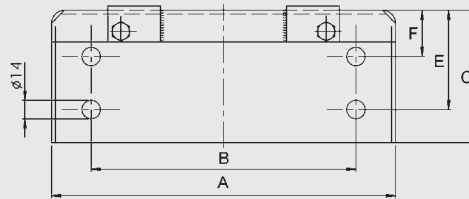
Accumulator set	Part no.	Vol. [l]	A [mm]	B [mm]	E [mm]	F [mm]	G [mm]	H [mm]	L [mm]	J [mm]	
SEHB 20	3007431	20	570	420	172	310	500	500	75	111	
SEHB 32	3007432	32	1340	1190				500			1160
SEHB 50	3007433	50	1340	1190				500			1160

Console	Mat.	Part no.	A [mm]	B [mm]	C [mm]	ØD [mm]	E [mm]	F [mm]	G [mm]	H [mm]	Weight [kg]
KHF 210	STZN	239965	260	200	100	170	75	35	230	123	2.5

Model/order code (example):

SEB 10 238407

KHF 210



The accumulator sets SEHF/SEHB are supplied with console KHF 210 / G which can be opened at the front for easier mounting of the bladder accumulator.

6. NOTE

The information in this brochure relates to the operating conditions and applications described.

For applications and operating conditions not described, please contact the relevant technical department.

Subject to technical modifications.

HYDAC Technology GmbH

Industriegebiet

66280 Sulzbach/Saar, Germany

Tel.: +49 (0) 68 97 / 509 - 01

Fax: +49 (0) 68 97 / 509 - 464

Internet: www.hydac.com

E-Mail: speichertechnik@hydac.com

