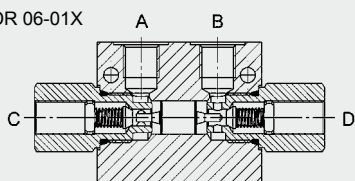


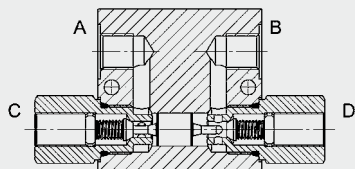
Up to 100 l/min  
Up to 350 bar

## FUNCTION

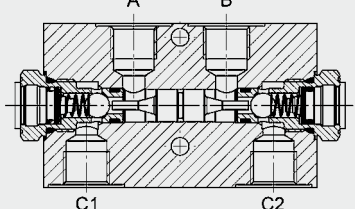
RPDR 06-01X



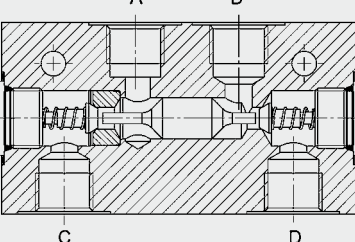
RPDR 06-03X



RPDR 08-01X



RPDR 10-01X



The pilot-to-open double check valve RPDR is inline mounted with two opposing, direct-acting, spring-loaded poppet valves. In the normal position, the closing element is pressed onto the valve seat by the spring and pressure at port C or D, and blocks flow from C to A or from D to B leak-free. If a sufficiently high control pressure is introduced at port A or B, the control piston moves, lifting the closing element off the valve seat. The valve is opened and oil flows from D to B or from C to A.

## Double Check Valve, Pilot-to-Open, Direct-Acting Inline Mounted RPDR 06 / 08 / 10

### FEATURES

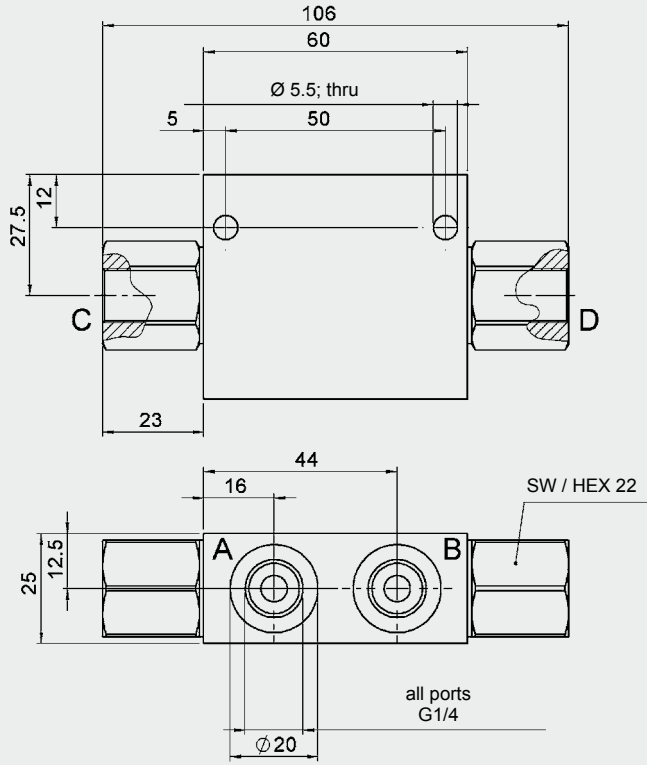
- Main application is to prevent uncontrolled movement or creeping of loaded cylinders, to isolate sections of the system and to control double-acting cylinders
- External surfaces zinc-plated and corrosion-proof
- Hardened and ground internal valve components to ensure minimal wear and extended service life
- Consumer is held in position with minimum leakage (A and B must be vented to T)

### SPECIFICATIONS

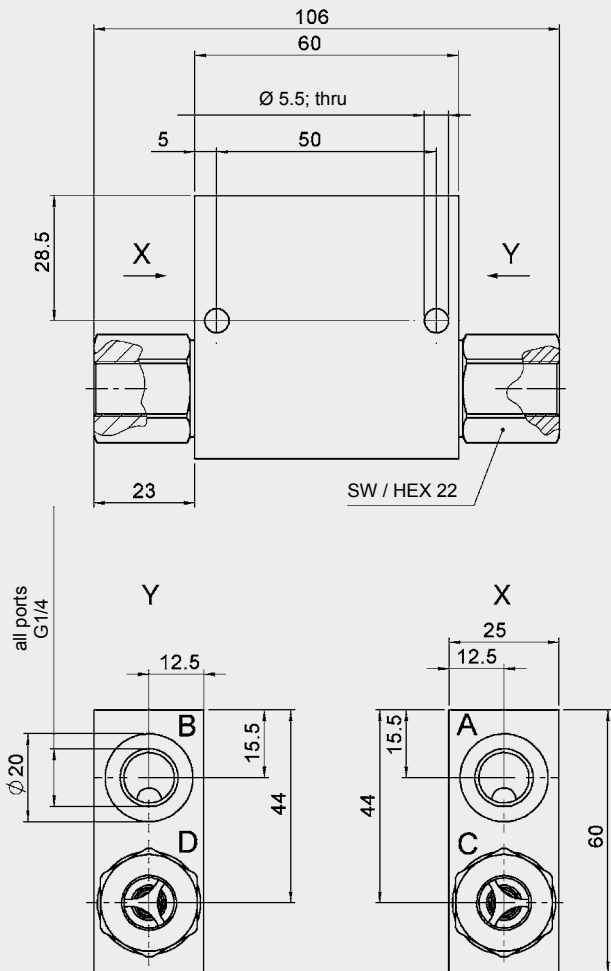
Operating pressure:	RPDR06 = max. 350 bar RPDR08 = max. 210 bar RPDR10 = max. 350 bar
Nominal flow:	RPDR06 = max. 30 l/min RPDR08 = max. 40 l/min RPDR10 = max. 100 l/min
Pilot ratio:	$\phi = 1 : 4$ for RPDR06 $\phi = 1 : 4$ for RPDR08 $\phi = 1 : 3.5$ for RPDR10
Leakage:	Leak-free (max. 5 drops $\approx 0,25 \text{ cm}^3/\text{min}$ at 350 bar)
Media operating temperature range:	min. $-20 \text{ }^\circ\text{C}$ to max. $+80 \text{ }^\circ\text{C}$
Ambient temperature range:	min. $-20 \text{ }^\circ\text{C}$ to max. $+80 \text{ }^\circ\text{C}$
Operating fluid:	Hydraulic oil to DIN 51524 Part 1 and 2
Viscosity range:	min. $7.4 \text{ mm}^2/\text{s}$ to max. $420 \text{ mm}^2/\text{s}$
Filtration:	Class 21/19/16 according to ISO 4406 or cleaner
MTTF <sub>d</sub> :	150 years (see "Conditions and instructions for valves" in brochure 5.300)
Installation:	No orientation restrictions
Materials:	Valve body: steel Piston: hardened and ground steel Seals: FKM (standard) Back-up rings: PTFE
Weight:	RPDR06-01 0.61 kg RPDR06-03 0.78 kg RPDR08 1.15 kg RPDR10 2.47 kg

# DIMENSIONS

RPDR 06-01X

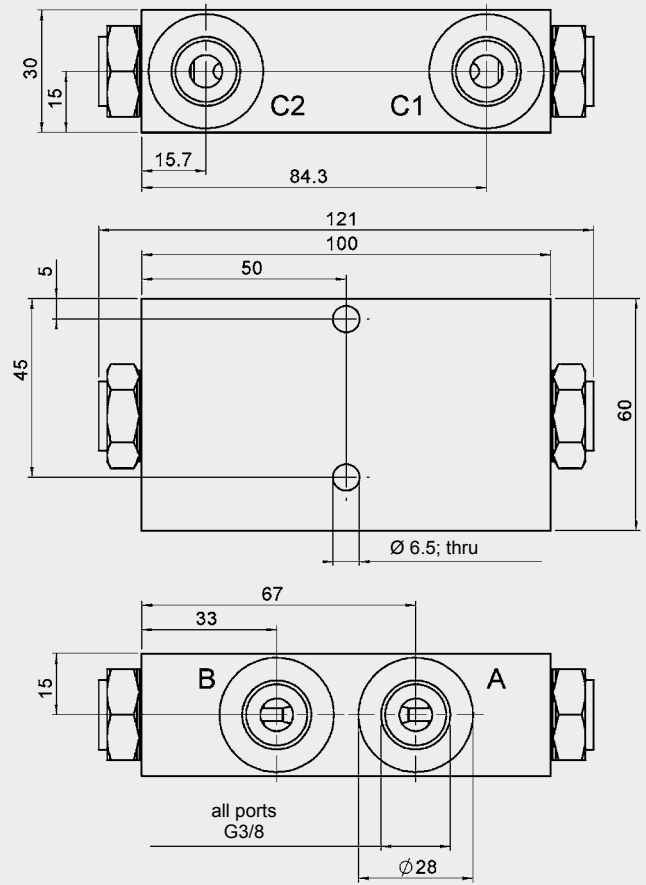


RPDR 06-03X

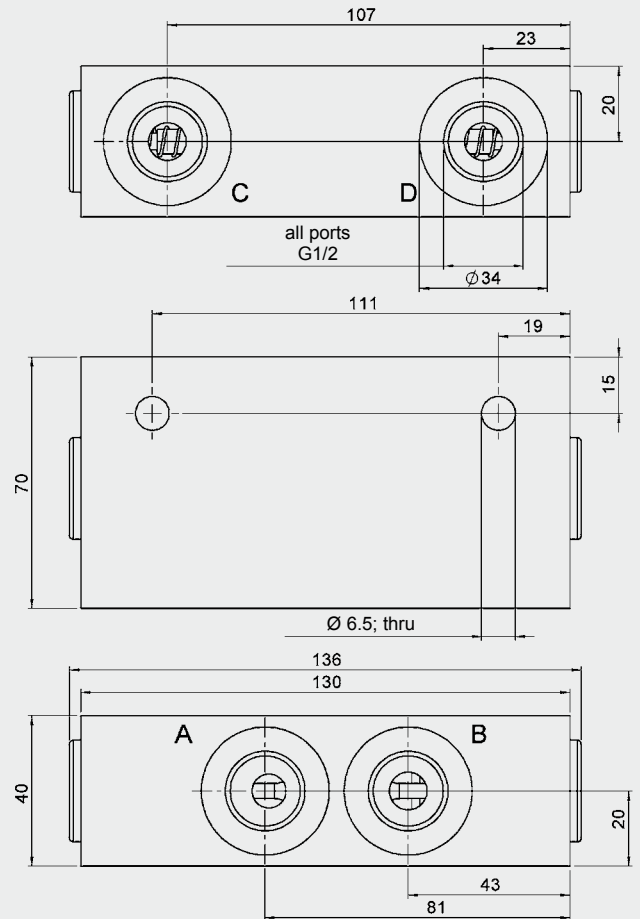


Millimeter  
Subject to technical modifications.

RPDR 08-01X



RPDR 10-01X



Millimeter  
Subject to technical modifications.

## MODEL CODE

RPDR 06 - 01 X - 0.5

### Basic model

Double check valve,  
pilot-to-open

### Size

06 = size 6  
08 = size 8  
10 = size 10

### Type

01 = standard (line body: zinc-plated,  
seals: Viton, inline ports:  
size 10: G 1/2, size 06: G 1/4)  
02 = (only size 10) line body: zinc-plated,  
seals: Viton, inline ports:  
radial M18x1.5  
03 = (only size 06) line body: zinc-plated,  
G 1/4  
10 = (only size 10) line body: zinc-plated,  
seals: Viton, inline ports:  
ports XGE with threaded pipe connections

Other types on request

### Series

(determined by manufacturer)

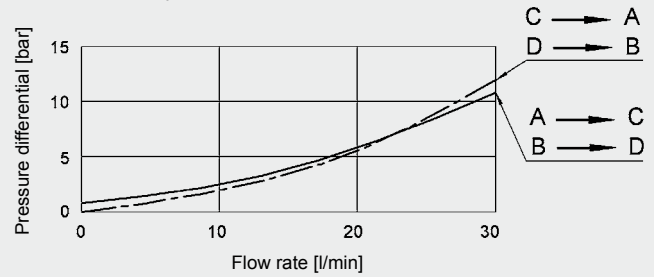
### Cracking pressure

0.5 = 0.5 bar  
Other cracking pressures on request

## PERFORMANCE

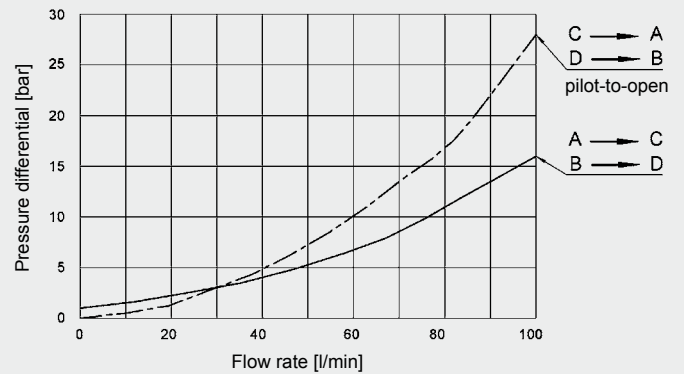
### RPDR 06

Measured at  $T_{oil} = 46\text{ °C}$ ,  $v = 38\text{ mm}^2/\text{s}$



### RPDR 10

Measured at  $T_{oil} = 27\text{ °C}$ ,  $v = 84\text{ mm}^2/\text{s}$



### Standard models

Model code	Part No.
RPDR06-01X-0.5	552421
RPDR06-01X-5	554094
RPDR06-03X-0.5	3059561
RPDR08-01X-0.5	3128981
RPDR10-01X-1	395769
RPDR10-02X-1	3081412
RPDR10-10X-1	557868

Other models on request

### NOTE

The information in this brochure relates to the operating conditions and applications described.

For applications or operating conditions not described, please contact the relevant technical department.

Subject to technical modifications.

**HYDAC Fluidtechnik GmbH**

Justus-von-Liebig-Str.

**D-66280 Sulzbach/Saar**

Tel: 0 68 97 / 509-01

Fax: 0 68 97 / 509-598

E-Mail: [flutec@hydac.com](mailto:flutec@hydac.com)

