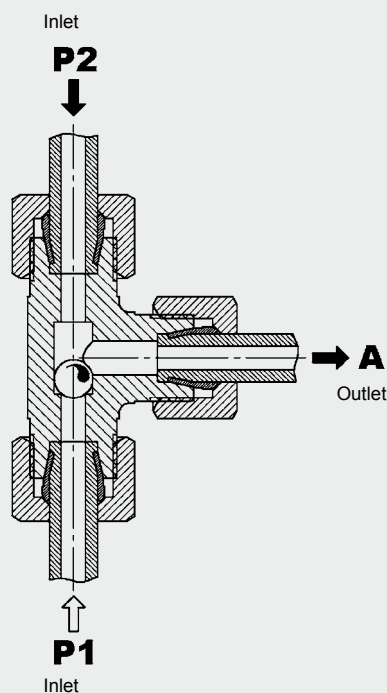


Up to 80 l/min
Up to 350 bar

FUNCTION



The shuttle valve WVT is a ball poppet shut-off valve. It has two inlets (port P1 and P2) and one outlet (port A). The inlet with the higher pressure pushes the closing element towards the other inlet. The inlet with the higher pressure is therefore always automatically connected to the outlet, and the other inlet is shut off.

Shuttle Valve 3-Way Inline Mounted – 350 bar WVT 6S / 8S / 10S / 12S

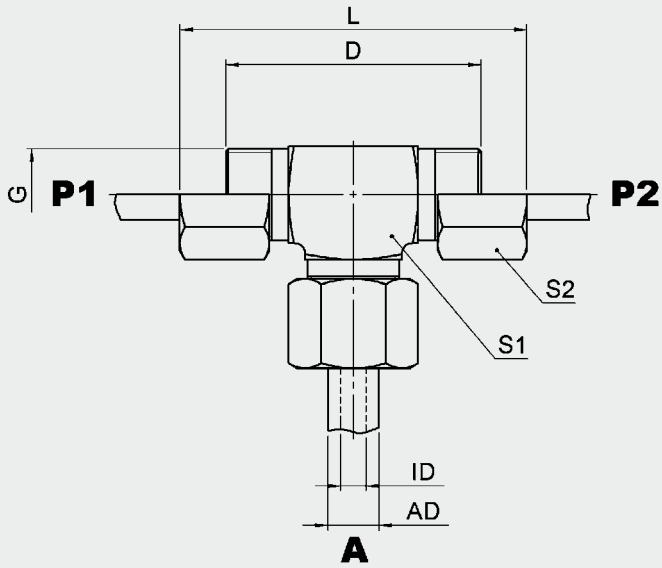
FEATURES

- For safe and leak-free shut-off
- For control circuits with pilot-operated and remote-controlled directional valves, variable & control pumps and logic elements
- Various sizes for optimum adaptability to the system
- Inline body with compression fittings
- External surfaces zinc-plated
- Negative switching overlap
- Space-saving installation

SPECIFICATIONS

Operating pressure:	max. 350 bar
Nominal flow:	max. 80 l/min Type 6S = 12 l/min Type 8S = 25 l/min Type 10S = 45 l/min Type 12S = 80 l/min
Media operating temperature range:	min. -30 °C to max. +100 °C
Ambient temperature range:	min. -30 °C to max. +100 °C
Operating fluid:	Hydraulic oil to DIN 51524 Part 1 and 2
Viscosity range:	min. 2.8 mm ² /s to max. 380 mm ² /s
Filtration:	Class 21/19/16 according to ISO 4406 or cleaner
MTTF _a :	150 years (see "Conditions and instructions for valves" in brochure 5.300)
Installation:	No orientation restrictions
Materials:	Valve body: high tensile steel Ball: roller bearing steel
Weight:	WVT-6S = 0.135 kg WVT-8S = 0.155 kg WVT-10S = 0.22 kg WVT-12S = 0.29 kg

DIMENSIONS



Valve body to DIN EN ISO 8434-1

Coupling nut DIN 3870

Compression fittings to DIN 3861 } supplied loose with the valve

Type	G	L	D	AD	IDmax.	S1	S2
WVT-06 S-X	M14x1.5	62	46	6	4	14	17
WVT-08 S-X	M16x1.5	64	48	8	5	17	19
WVT-10 S-X	M18x1.5	68	50	10	7	19	22
WVT-12 S-X	M20x1.5	76	58	12	8	22	24

Millimeter
Subject to technical modifications

MODEL CODE

WVT - 10S - 1

Basic model

Shuttle valve

Connection size

6S = M 14 x 1.5

8S = M 16 x 1.5

10S = M 18 x 1.5

12S = M 20 x 1.5

compression fitting to

DIN 3861 with coupling nut

to DIN 3870

Series

(determined by manufacturer)

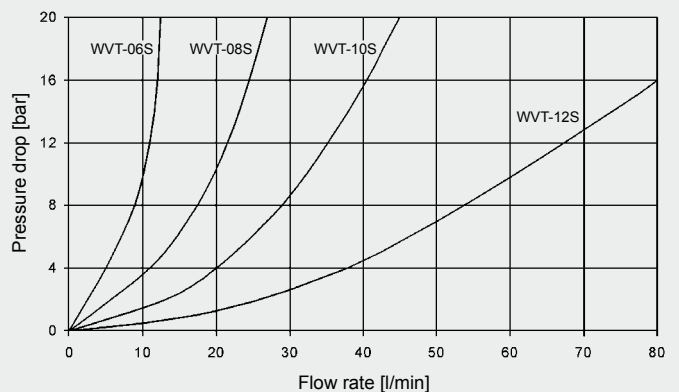
Standard models

Model code	Part No.
WVT-6S-1-ZINC-PLATED	710133
WVT-8S-1-ZINC-PLATED	710134
WVT-10S-1-ZINC-PLATED	710140
WVT-12S-1-ZINC-PLATED	710132

Other models on request

PERFORMANCE

Pressure differential Δp against flow rate Q,
measured at $v = 40 \text{ mm}^2/\text{s}$ and $T_{\text{oil}} = 42 \text{ }^\circ\text{C}$



NOTE

The information in this brochure relates to the operating conditions and applications described. For applications or operating conditions not described, please contact the relevant technical department.
Subject to technical modifications.

HYDAC Fluidtechnik GmbH

Justus-von-Liebig-Str.

D-66280 Sulzbach/Saar

Tel: 0 68 97 /509-01

Fax: 0 68 97 /509-598

E-Mail: flutec@hydac.com