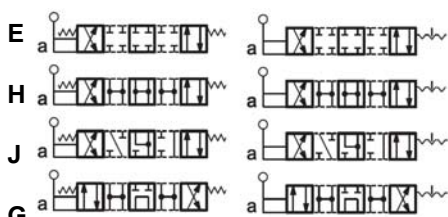




Directional valve lever operated 4/2 and 4/3 plate mounted 4WMH 6

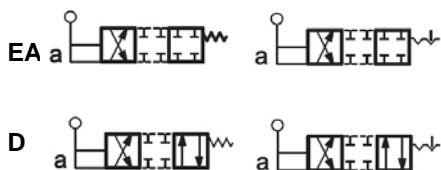
SYMBOL

4/3 with spring / with detent



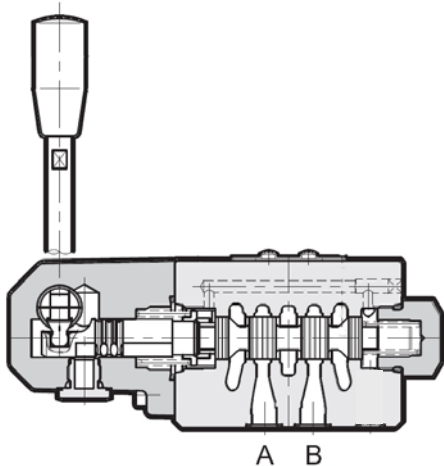
(more symbols see next page)

4/2 with spring / with detent:



up to 75 l/min
up to 350 bar

FUNCTION



FEATURES

- INTERFACE to ISO 4401-03, NW 6
- Types with different piston types
- Types with two or three positions, with retaining spring or mechanical detent
- Casted-iron valve body with high stability and low pressure drop
- Position of the lever could be adapted to different applications by turning through 180°
- hand lever position left = P-B-A-T, lever position right = P-A-B-T

SPECIFICATIONS

| | |
|---------------------------------------|--|
| Operating pressure at P, A, B: | max. 350 bar |
| Operating pressure at T: | max. 210 bar |
| Nominal Flow: | max. 75 l/min |
| Operating fluid: | Hydraulic oil to DIN 51524 part 1 and 2 |
| Temperature range of operating fluid: | -20°C up to max. +80°C |
| Ambient temperature range: | -20°C up to max. +50°C |
| Viscosity range: | 10 – 400 mm ² /s is recommended |
| Filtration: | Class 20/18/15 according to ISO4406 or cleaner |
| Weight: | 2,1kg |

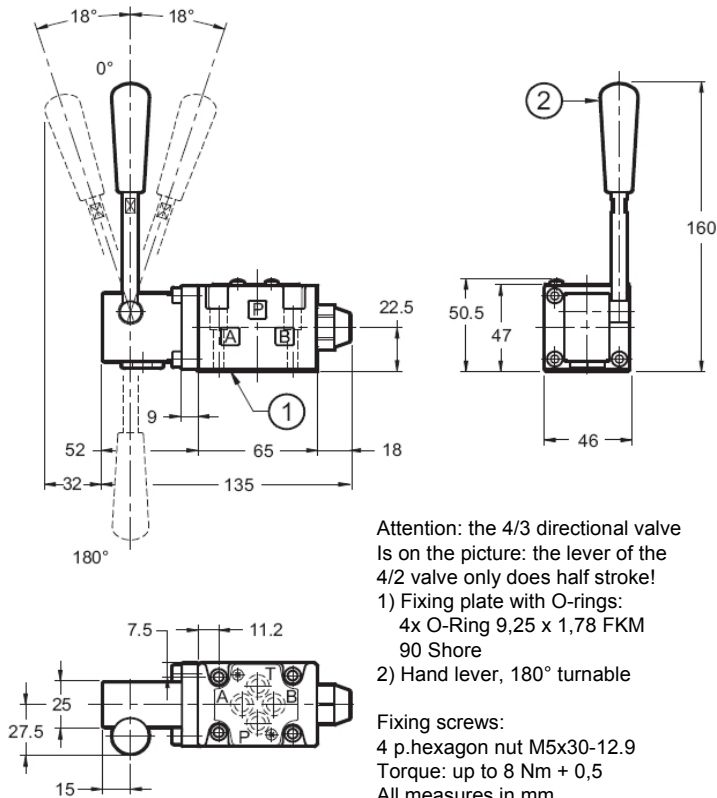
Standard Models

4WMH 6 E 01/V
 4WMH 6 J 01/V
 4WMH 6 H 01/V
 4WMH 6 E-F 01/V
 4WMH 6 J-F 01/V

Part No.

3659975
 3591057
 3661283
 3587851
 3587852

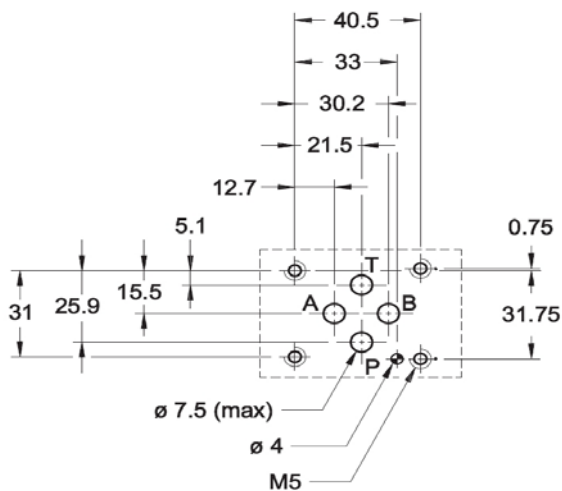
DIMENSIONS



Attention: the 4/3 directional valve is on the picture: the lever of the 4/2 valve only does half stroke!
 1) Fixing plate with O-rings:
 4x O-Ring 9,25 x 1,78 FKM
 90 Shore
 2) Hand lever, 180° turnable

Fixing screws:
 4 p. hexagon nut M5x30-12.9
 Torque: up to 8 Nm + 0,5
 All measures in mm.
 Fixing elements are not in the scope of supply.

Fixing plate to ISO 4401-03-02-0-05



NOTE
 The information in this brochure relates to the operating conditions and applications described. For applications or operating conditions not described, please contact the relevant technical department. Subject to technical modifications.

HYDAC Fluidtechnik GmbH
 Justus-von-Liebig-Str. 5
 66280 Sulzbach / Saar
 Tel.: 06897 / 509 -0
 Fax: 06897 / 509 -598
 Email: flutec@hydac.com

MODEL CODE

4WMH 6 D -F 01 / V

Name and NW
 Directional valve lever operated NW 6

Control function
 D = Symbol

Type
 Omission = spring detent
 F = without spring, with detent

Series
 01 = Standard

Seal material
 V = FKM (Standard)
 N = NBR

PERFORMANCE

Pressure drop $\Delta p/Q$
 Measured at $v = 36 \text{ mm}^2/\text{s}$ and $t_{\text{oil}} = 50 \text{ }^\circ\text{C}$

| | P→A | P→B | A→T | B→T |
|--------|--------------------|-----|-----|-----|
| Symbol | DIAGRAMMKENNLINIEN | | | |
| E 4/3 | 2 | 2 | 3 | 3 |
| H 4/3 | 1 | 1 | 3 | 3 |
| J 4/3 | 3 | 3 | 1 | 1 |
| G 4/3 | 5 | 5 | 5 | 5 |
| EA 4/2 | 2 | 2 | 2 | 2 |
| D 4/2 | 2 | 2 | 2 | 2 |

