



## 2/2 slip-in cartridge cover

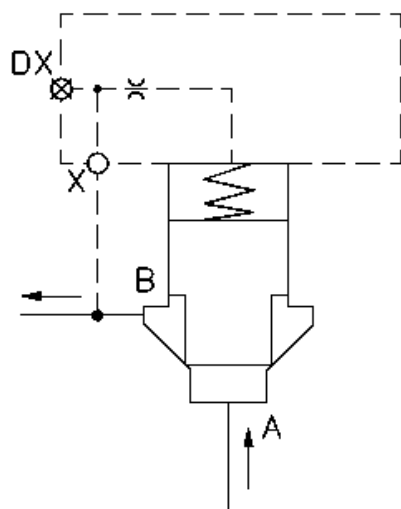
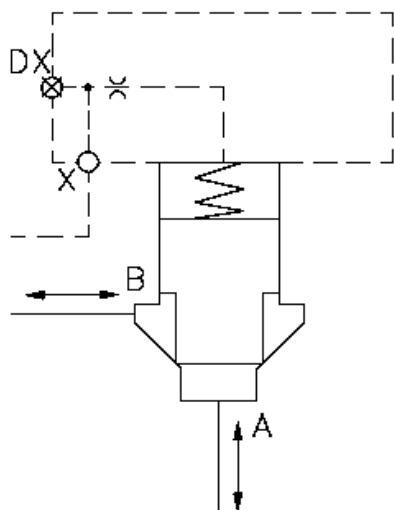
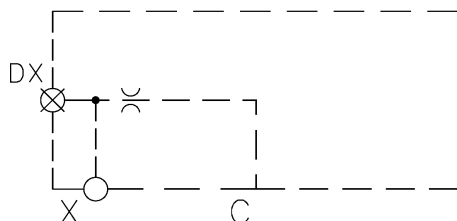
### Function 1D

### Series LD-CCE

### Size 16 up to 63

#### SYMBOL

P max = 350 bar



#### FEATURES:

- 2/2 slip-in cartridge covers with remote control port according to ISO 7368
- with possibility to built-in a nozzle at port X

#### Directional FUNCTION:

By using a 1D-cover in combination with a 2/2 slip-in cartridge the port X will be connected to tank at pressure discharge - so that a directional function is realized with flow from A -> B or B -> A.

If the control port X of the cover will be charged with the highest system pressure or with the highest pressure of A or B, the flow from A to B and inverse is blocked.

#### Check FUNCTION:

By using a 1D-cover in combination with a 2/2 slip-in cartridge valve a check function can also be realized, by connecting the control port X with port B. Then the direction of the flow is blocked A ->B (B ->A).

The 2/2 slip-in cartridge cover 1D can be combined with the cones B and C.

#### SPECIFICATIONS:

Operating pressure:	max. 350 bar
Temp. range of operating fluid:	min. -20°C up to max. +80°C
Ambient temperature range:	min. -20°C up to max. +60°C
Operating fluid:	hydraulic fluid according to DIN 51524 part 1 and 2
Filtration:	Class 20/18/15 according to ISO 4406 (C)
Viscosity range:	2,8 up to 380 mm <sup>2</sup> /s
Seals:	FKM + PU (NBR / FKM on request)

## Standard models

Type	Part No.
LD-CCE 16 D 6 1D	6071627
LD-CCE 25 D 6 1D	6071628
LD-CCE 32 D 6 1D	6071658
LD-CCE 40 D 6 1D	6071659
LD-CCE 50 D 6 1D	6071660
LD-CCE 63 D 6 1D	6071671

## Nozzles

**Ports** **NG16 NG25 NG32**  
**X** M5 M6 M6

**X** **NG40 NG50 NG63**  
M8 M8 M10

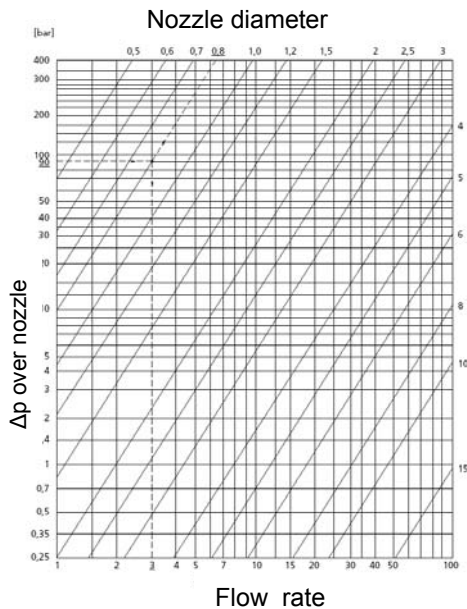
### Nozzle 0,8 Part No.

Nozzle covers M5x0,8	6071916
Nozzle covers M6x0,8	6071917
Nozzle covers M8x0,8	6071918
Nozzle covers M10x0,8	6071919

### Nozzle 1,5 Part No.

Nozzle covers M5x1,5	6071920
Nozzle covers M6x1,5	6071921
Nozzle covers M8x1,5	6071922
Nozzle covers M10x1,5	6071923

## Nozzle choice



### Annotation

The technical information in this brochure are relating to the operating conditions and applications.

At deviant applications and/or operating conditions please contact the technical dept.

Technical information are subject to technical modifications.

HYDAC Fluidtechnik GmbH  
 Justus-von-Liebig-Str. 5  
 66280 Sulzbach / Saar  
 Tel.: 06897 / 509 -0  
 Fax: 06897 / 509 -598  
 Email: flutec@hydac.com

## MODEL CODE

LD - C C E 16 D 6 1D

**Name** \_\_\_\_\_  
 LD-CCE= 2/2 slip-in cartridge covers,  
 Standard

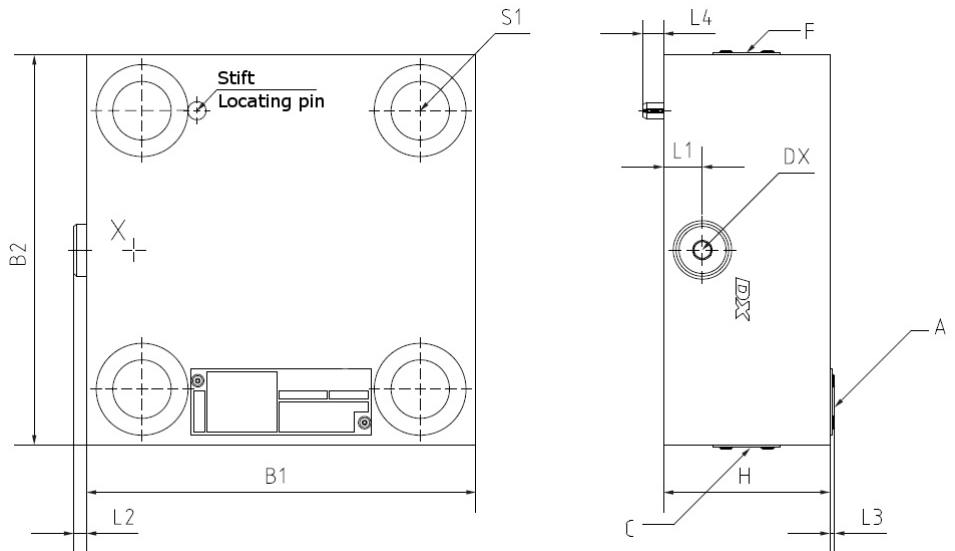
**Nominal size** \_\_\_\_\_  
 Size 16, 25, 32, 40, 50, 63

**Series** \_\_\_\_\_  
 named by manufacturer

**Type** \_\_\_\_\_  
 Threads and control ports according to ISO 7368

**Cover code** \_\_\_\_\_  
 1D = functional symbol

## DIMENSIONS



Size	16	25	32	40	50	63
B1 [mm]	65	85	102	125	140	180
B2 [mm]	65	85	102	125	140	180
H [mm]	35	35	45	60	60	80
L1 [mm]	17	12	21	20	14	27
L2 [mm]	3,5	3,5	4,5	4,5	4,5	4,5
L3 [mm]	1,6	1,6	1,6	1,6	1,6	1,6
L4 [mm]	5	5,5	6	6	7,5	8
Nameplate on the side	A	C	F	C	A	A
Plug DX **	G 1/8"	G 1/8"	G 1/4"	G 1/4"	G 1/4"	G3/8"
Tightening torque [Nm]	12	12	27	27	27	56
Socket width across flats	5	5	6	6	6	8
S1* DIN EN ISO 4762 - 12.9	M8x35	M12x40	M16x50	M20x70	M20x70	M30x90
Tightening torque [Nm]	30	100	300	550	550	1800
Weighting [kg]	1,1	1,7	3,1	6,3	8,2	17

\*not part of the delivery, \*\*may also be used as test port