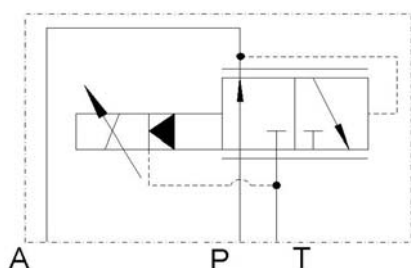




Proportional Pressure Reducing Valve pilot operated Subplate to ISO 24340 VP-PDRP6

SYMBOL



up to 350 bar
up to 60 l/min

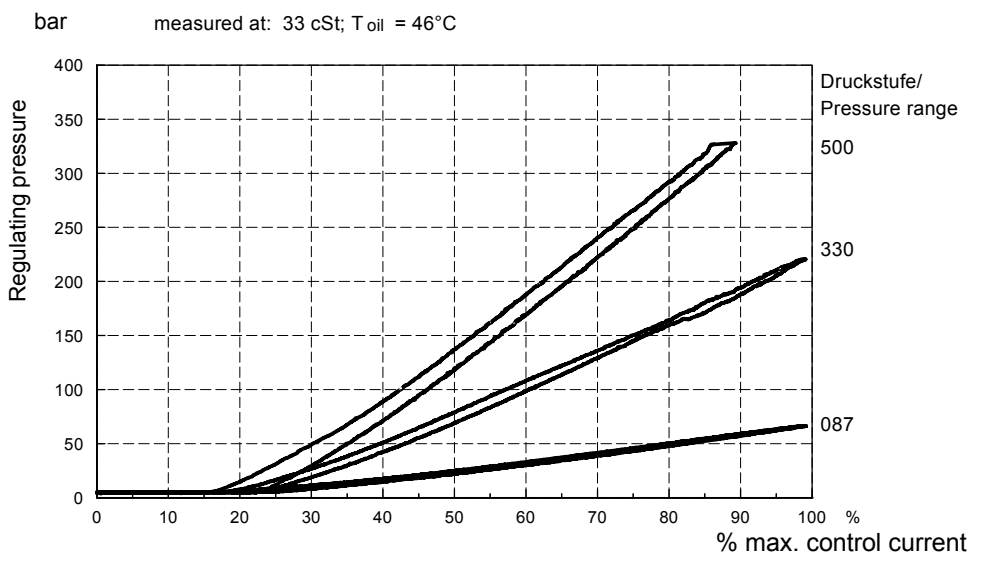
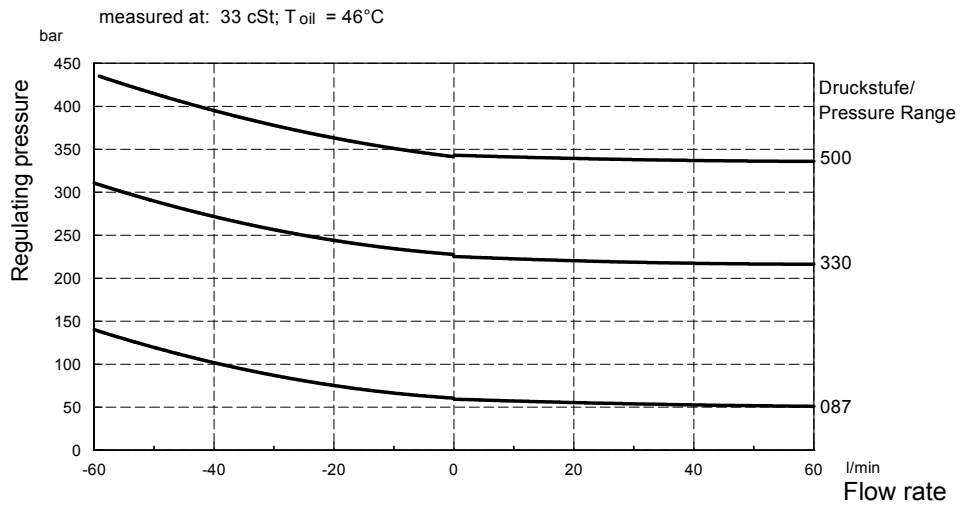
FEATURES

- Hole pattern to ISO 24340, Nominal size 6
- Proportional pressure reducing valve
- Pressures at port T are added to the adjusted value
- Electronic control by PEM-XD see brochure 5.249.2.0

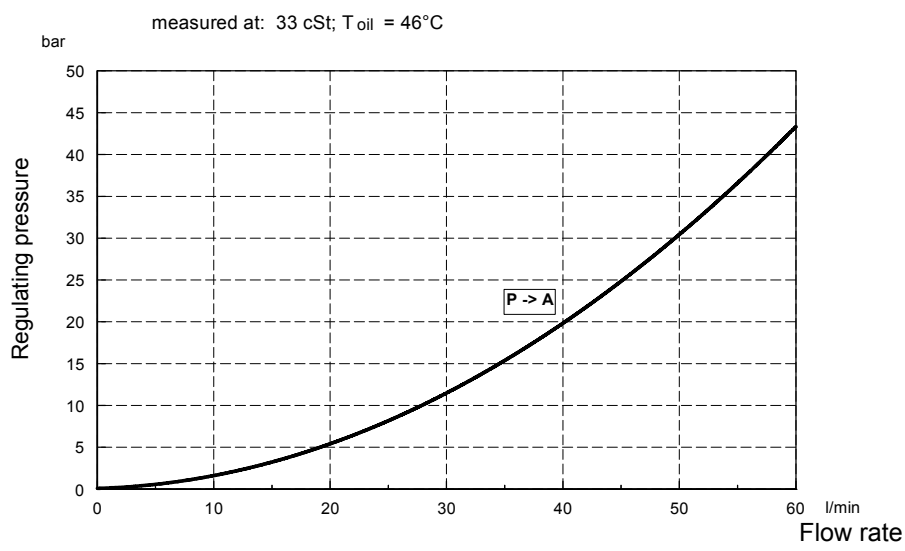
SPECIFICATIONS

Operating pressure:	max. 350 bar
Flow rate:	max. 60 l/min
Hysteresis:	< 2-4 %
Repeatability:	+/- 1,5 %
Fluids:	Hydraulic oil to DIN 51524 part 1 and 2
Temp. range of the operating fluid:	-20°C up to max. +80°C
Ambient temperature range:	-20°C up to max. +50°C
Viscosity range:	7,4 – 400 mm ² /s is recommended
Filtration:	Class 21/19/16 according to ISO4406 ISO 4406 class 18/16/13 up to 19/17/14
Switching time:	On: 60 ms Off: 40 ms
Voltage:	DC
Nominal current:	2,1 A at 12V DC 1,05 A at 24V DC
Resistance at 20°C:	2,2 Ohm at 12V 8,8 Ohm at 24V
Switch-on time:	100% (Continuous)
Dither frequency:	160 – 250 Hz
IP rating:	IP65 (if plug is mounted correctly)
Installation:	no orientation restrictions
Annotation:	bleed system and valve before setting in motion
Hole pattern:	ISO24340 Form A6
Weight:	1,25 kg

PERFORMANCE



Pressure Drop $\Delta p / Q$



Models on request

VP-PDRP6 087 D01-24PG/N
 VP-PDRP6 330 D01-24PG/N
 VP-PDRP6 500 D01-24PG/N

Part No.

3497252
 3497254
 3497266

MODEL CODE

VP-PDRP6 087 D01- 24PG/V

Name and size
 Proportional Pressure reducing valve NW 6

Pressure ranges
 087 = up to 60 bar
 330 = up to 230 bar
 500 = up to 350 bar

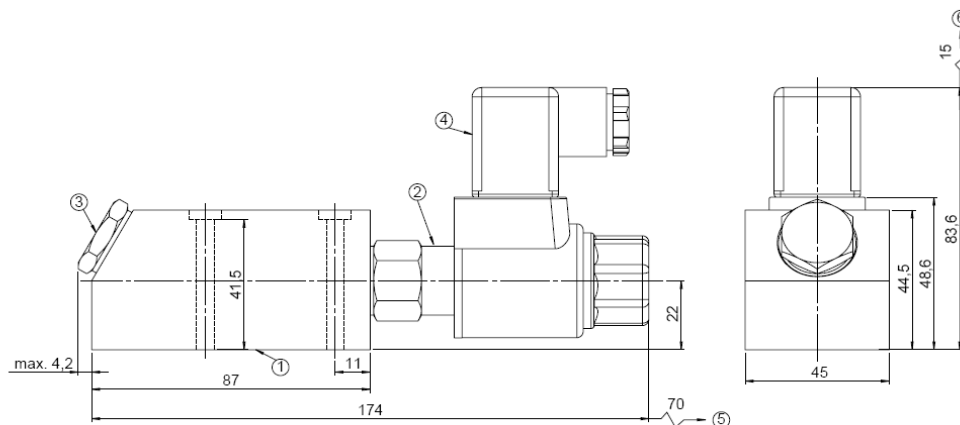
Type
 D01 = Standard

Nominal voltage
 24 = DC 24 Volt
 12 = DC 12 Volt

Plug
 PG = DIN plug according to EN155301-803

Seals
 V = FkM (Standard)
 N = NBR

DIMENSIONS

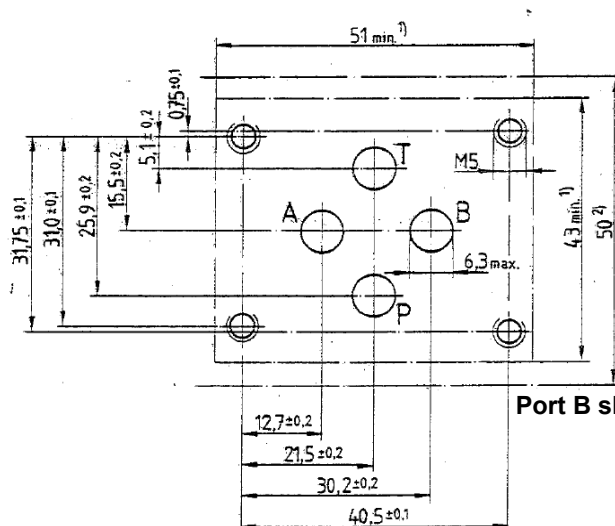


- 1) Mounting plate with O-rings:
4x O-Ring 9,25 x 1,78 FkM
- 2) Proportional pressure reducing valve with coil
- 3) Blanking plug
- 4) DIN plug to EN175301-803
- 5) Free space for mounting the coil
- 6) Free space for mounting the plug

Fastening screws:
 4x Allen key M5 x 50 10.9
 Torque: 5 Nm + 0,5 Nm

All dimensions in mm.
 Fastening elements are not in the scope of delivery.

Mounting plate to ISO 24340 Form A6



Annotation
 The technical information in this brochure are relating to the operating conditions and applications. At deviant applications and/or operating conditions please contact the technical dept. Technical information are subject to technical modifications.

HYDAC Fluidtechnik GmbH
 Justus-von-Liebig-Str. 5
 66280 Sulzbach / Saar
 Tel.: 06897 / 509 -0
 Fax: 06897 / 509 -598
 Email: flutec@hydac.com

