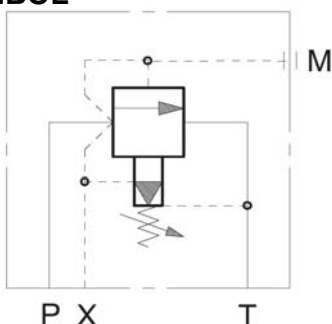




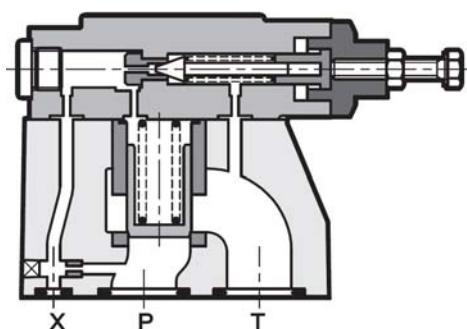
## Pressure Relief Valve pilot operated Subplate to ISO 6264 VP-DBP10

### SYMBOL



up to **350 bar**  
up to **400 l/min**

### FUNCTION



### FEATURES

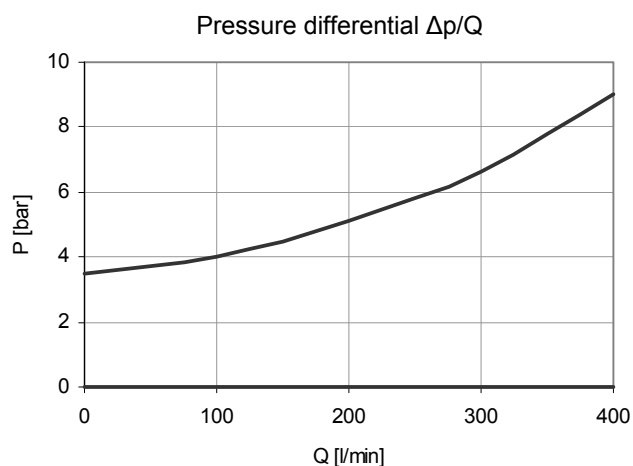
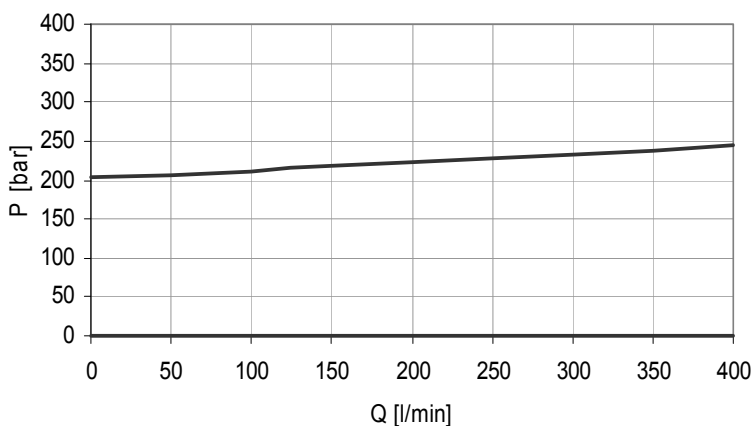
- Hole pattern to ISO 6264-08, Nominal size 10
- pilot operated pressure relief valve
- low flow loss by maximum size bore holes
- Remote control over port X possible

### SPECIFICATIONS

Operating pressure:	max. 350 bar
Flow rate:	max. 400 l/min
Operating fluid:	hydraulic oil to DIN 51524 part 1 and 2
Operating fluid temperature range:	-20°C up to max. +80°C
Ambient temperature range:	-20°C up to max. +50°C
Viscosity range:	7,4 – 400 mm <sup>2</sup> /s is recommended
Filtration:	Class 20/18/15 according to ISO 4406
Installation:	no orientation restriction
Hole pattern:	ISO 6264-08
Weight:	4,3 kg

### PERFORMANCE

measured at  $v = 36 \text{ mm}^2/\text{s}$  and  $T_{\text{oil}} = 50^\circ \text{C}$



Standard models	Part No.
VP-DBP10 070V S01/V	3541089
VP-DBP10 210V S01/V	3541090
VP-DBP10 350V S01/V	3541091
Other models on request	

## MODEL CODE

VP-DBP10 070V S01 /V

Name and size \_\_\_\_\_  
Pressure relief valve pilot operated NW 10

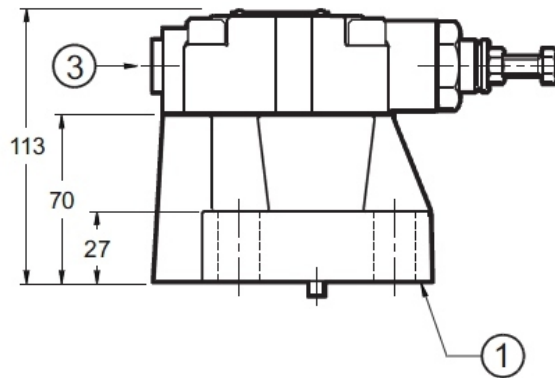
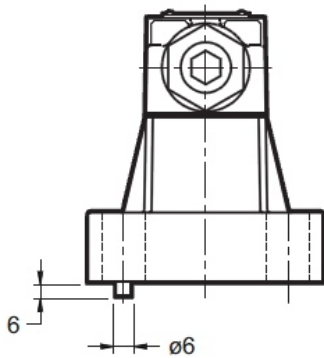
Pressure ranges \_\_\_\_\_  
070 = up to 70 bar  
210 = up to 210 bar  
350 = up to 350 bar

Adjustability \_\_\_\_\_  
V = adjustable with tool

Type \_\_\_\_\_  
S01 = Standard

Seal material \_\_\_\_\_  
V = FKM (Standard)  
N = NBR

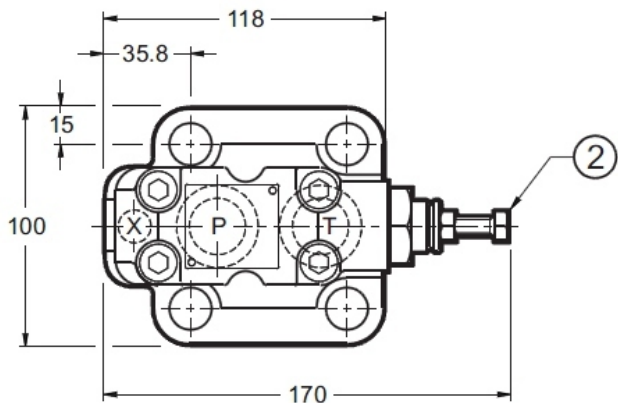
## DIMENSIONS



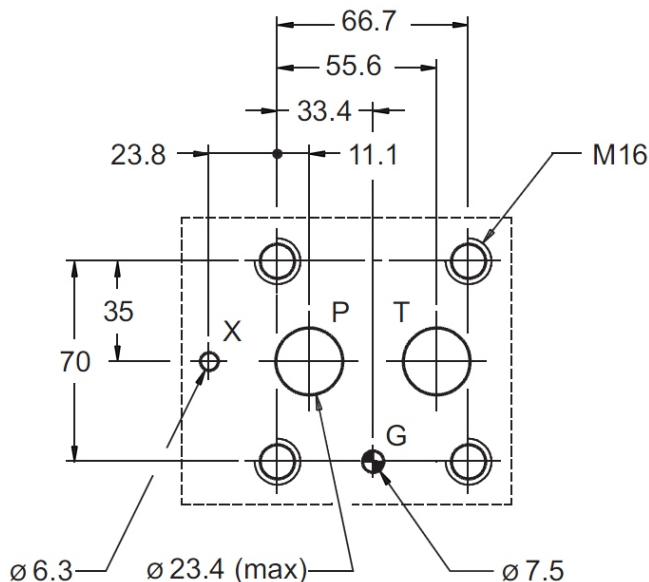
- 1) Mounting plate with O-rings:  
2x O-Ring 29,82 x 2.62 90 Shore FKM  
1x O-Ring 9,13 x 2.62 90 Shore FKM
- 2) Allen screw: size 13  
by turning clockwise the pressure is rising
- 3) Port for measuring gauge Y 3/8" BSP

Fastening screws: 4x Allen key M12x40 10.9  
Torque: 70 Nm + 5 Nm

All dimensions in mm.  
Fastening elements are not in scope of delivery.



## Mounting plate to ISO 6264-06-09-\*-97



Annotation  
The technical information in this brochure are relating to the operating conditions and applications. At deviant applications and/or operating conditions please contact the technical dept. Technical information are subject to technical modifications.

HYDAC Fluidtechnik GmbH  
Justus-von-Liebig-Str. 5  
66280 Sulzbach / Saar  
Tel.: 06897 / 509 -0  
Fax: 06897 / 509 -598  
Email: flutec@hydac.com