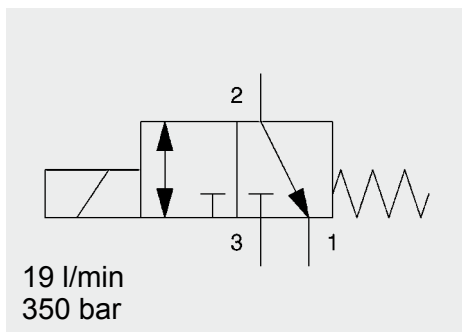
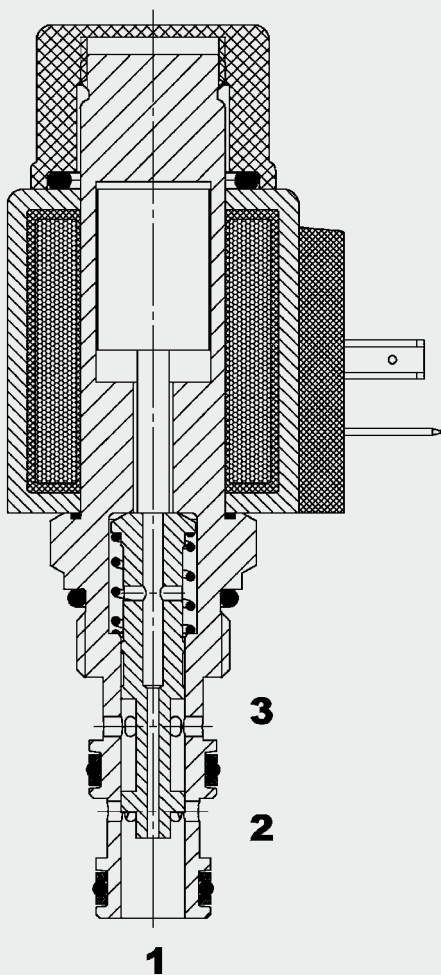


3/2 Solenoid Directional Valve UNF Spool Type - Direct-Acting SAE-08 Cartridge – 350 bar WK08C-13



FUNCTION



When de-energized, the valve allows flow from port 2 to 1, while blocking flow at port 3.

When energized, the valve allows flow from port 3 to 2 or from port 2 to 3, while blocking flow at port 1.

FEATURES

- Δp optimized, for lower pressure drop from port 2 to port 1
- External surfaces zinc-plated and corrosion-proof
- Hardened and ground internal valve components to ensure minimal wear and extended service life
- Coil seals protect the solenoid system
- Wide variety of connectors available
- Excellent switching performance by high power HYDAC solenoid

SPECIFICATIONS

Operating pressure:	max. 350 bar
Nominal flow:	max. 19 l/min
Internal leakage:	max. 90 cm ³ /min at 250 bar and 34 mm ² /s
Media operating temperature range:	min. -20 °C to max. +120 °C
Ambient temp. range:	min. -20 °C to max. +60 °C
Operating fluid:	Hydraulic oil to DIN 51524 Part 1 and 2
Viscosity range:	min. 10 mm ² /s to max. 420 mm ² /s
Filtration:	Class 21/19/16 according to ISO 4406 or cleaner
MTTF _d :	150 years (see "Conditions and instructions for valves" in brochure 5.300)
Installation:	No orientation restrictions
Material:	Valve body: free-cutting steel Piston: hardened and ground steel Seals: NBR (standard) FKM (optional, media temperature range -20 °C to +120 °C) Back-up rings: PTFE Coil: steel / polyamide
Cavity:	FC08-3
Weight:	Valve complete: 0.37 kg Coil only: 0.19 kg
Electrical data:	
Switching time:	Energized: approx. 25 ms De-energized: approx. 40 ms
Type of voltage:	DC solenoid, AC voltage is rectified using a bridge rectifier built into the coil
Current draw at 20 °C:	1.5 A at 12 V DC 0.8 A at 24 V DC
Voltage tolerance:	± 15 % of nominal voltage
Coil duty rating:	Continuous up to max. 115% of nominal voltage at max. 60° C ambient temperature
Coil type:	Coil...-40-1836

