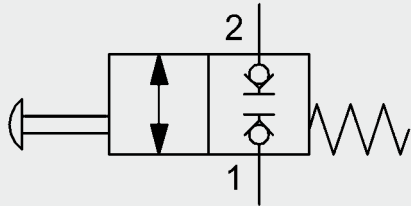
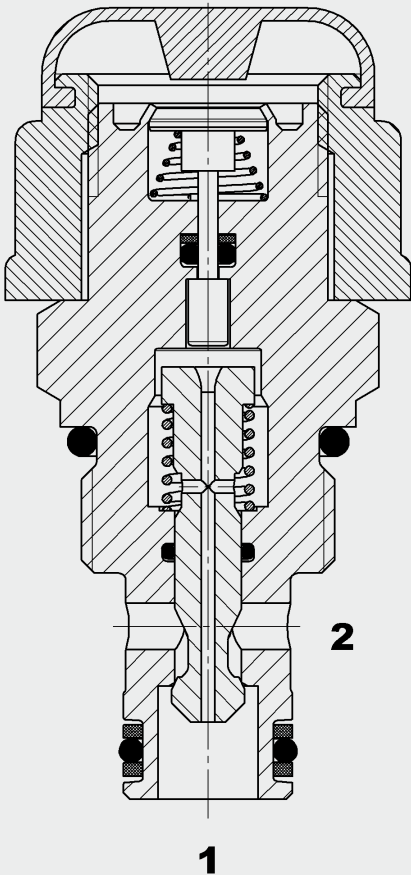


2/2 Directional Poppet Valve **UNF** **Manually Operated** **Normally Closed** **SAE-08 Cartridge – 250 bar** WS08W...M



Up to 20 l/min
 Up to 250 bar

FUNCTION



The directional valve WS08W...M is a normally closed, manually operated poppet valve.

The valve is operated manually and, as long as the mechanical plunger is pressed, allows flow between port 1 and port 2 in both directions.

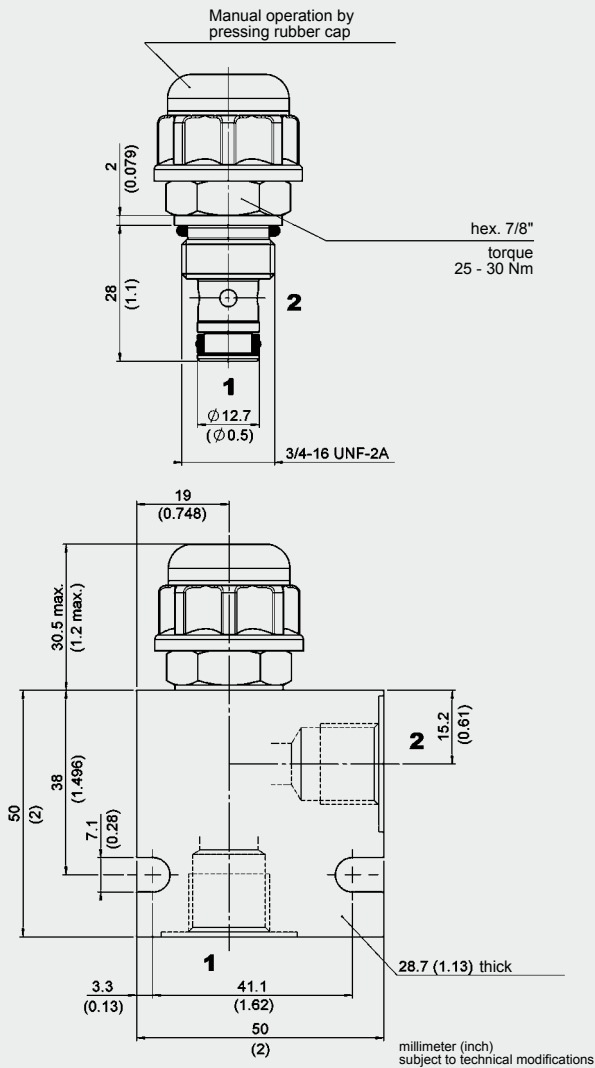
FEATURES

- For use in systems to be controlled manually
- External surfaces zinc-plated and corrosion-proof
- Hardened and ground internal valve components to ensure minimal wear and extended service life
- Low pressure drop due to CFD optimized flow path

SPECIFICATIONS

Operating pressure:	max. 250 bar
Nominal flow:	max. 20 l/min
Operating force:	Thumb pressure (approx. 40 - 70 N)
Internal leakage:	Leakage-free (max. 5 drops \approx 0,25 cm ³ /min at 350 bar)
Media operating temperature range:	min. -20 °C to max. +100 °C
Ambient temperature range:	min. -20 °C to max. +100 °C
Operating fluid:	Hydraulic oil to DIN 51524 Part 1 and 2
Viscosity range:	min. 7.4 mm ² /s to max. 420 mm ² /s
Filtration:	Class 21/19/16 according to ISO 4406 or cleaner
MTTF _d :	150 years (see "Conditions and instructions for valves" in brochure 5.300)
Installation:	No orientation restrictions
Materials:	Valve body: high tensile steel Poppet: hardened and ground steel Seals: NBR (standard) FKM (optional, media temperature range -20 °C to +120 °C) Back-up rings: PTFE
Cavity:	FC08-2
Weight:	0.09 kg

DIMENSIONS



MODEL CODE

WS08W-01-C-N-M

Designation _____
Directional poppet valve, manually operated

Type _____
01 = standard
Other models on request

Body and ports* _____
C = cartridge only
SB3 = G3/8 port, steel housing
AB3 = G3/8 port, aluminium housing

Seals _____
N = NBR (standard)
V = FKM (optional)

Type of operation _____
M = manual

Standard models

Model code	Part No.
WS08WM-01-C-N	3054918

*Standard in-line bodies

Code	Part No.	Material	Ports	Pressure
FH082-AB3	3011423	Aluminium, clear anodized	G3/8	210 bar
FH082-SB3	560919	Steel, zinc-plated	G3/8	420 bar

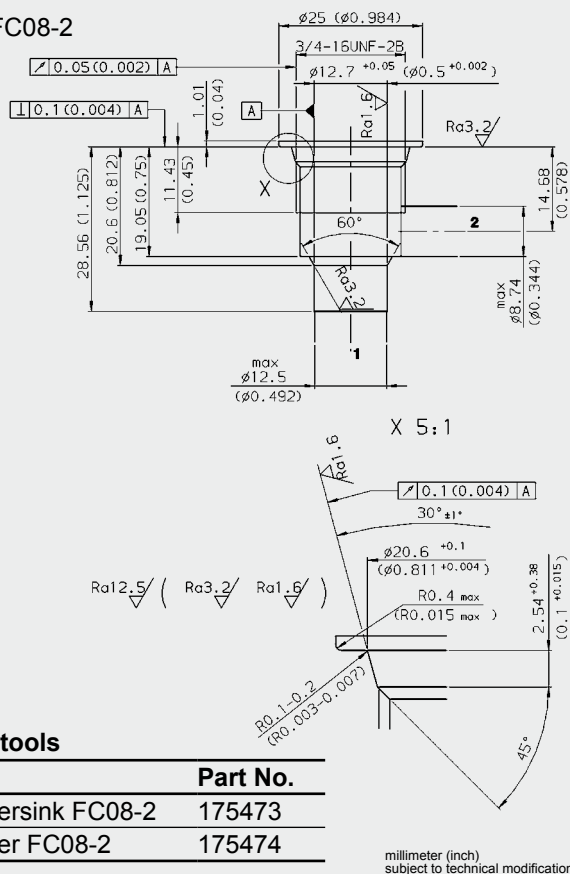
Other line bodies on request

Seal kits

Code	Material	Part No.
FS082-N SEAL KIT	NBR	3033920
FS082-V SEAL KIT	FKM	3051756

CAVITY

UNF FC08-2

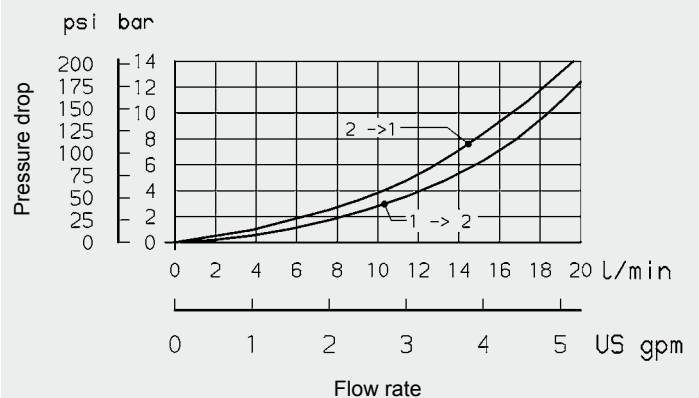


Form tools

Tool	Part No.
Countersink FC08-2	175473
Reamer FC08-2	175474

PERFORMANCE

Measured at $v = 34 \text{ mm}^2/\text{s}$, $T_{\text{oil}} = 46 \text{ }^\circ\text{C}$



Note

The information in this brochure relates to the operating conditions and applications described. For applications or operating conditions not described, please contact the relevant technical department.
Subject to technical modifications.

HYDAC Fluidtechnik GmbH
Justus-von-Liebig-Str.
D-66280 Sulzbach/Saar
Tel: 0 68 97 /509-01
Fax: 0 68 97 /509-598
E-Mail: flutec@hydac.com