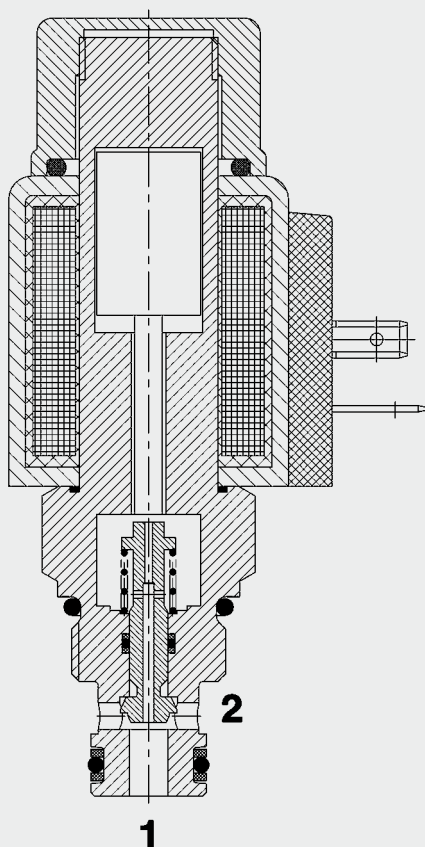


Up to 20 l/min
Up to 350 bar

FUNCTION



2/2 Solenoid Directional Valve Poppet Type, Direct-Acting Normally Open Metric Cartridge – 350 bar

WSM06020V-01

FEATURES

- External surfaces zinc-plated and corrosion-proof
- Hardened and ground internal valve components to ensure minimal wear and extended service life
- Coil seals protect the solenoid system
- Wide variety of connectors available
- Excellent switching performance by high power HYDAC solenoid
- Low pressure drop due to CFD optimized flow path

SPECIFICATIONS

| | |
|------------------------------------|---|
| Operating pressure: | max. 350 bar |
| Nominal flow: | max. 20 l/min |
| Internal leakage: | Leakage-free (max. 5 drops \approx 0,25 cm ³ /min at 350 bar) |
| Media operating temperature range: | min. -20 °C to max. +100 °C |
| Ambient temperature range: | min. -20 °C to +60 °C |
| Operating fluid: | Hydraulic oil to DIN 51524 Part 1 and 2 |
| Viscosity range: | 10 to 420 mm ² /s |
| Filtration: | Class 21/19/16 according to ISO 4406 or cleaner |
| MTTF _d : | 150 years (see "Conditions and instructions for valves" in brochure 5.300) |
| Installation: | No orientation restrictions |
| Materials: | Valve body: free-cutting steel Poppet: hardened and ground steel Seals: NBR (standard) FKM (optional, media temperature range -20 °C to +120 °C) Back-up rings: PTFE Coil: steel / polyamide |
| Cavity: | 06020 |
| Weight: | Valve complete 0.33 kg Coil only 0.19 kg |

Electrical data

| | |
|------------------------|---|
| Type of voltage: | DC solenoid, AC voltage is rectified using a bridge rectifier built into the coil |
| Current draw at 20 °C: | 1.5 A at 12 V DC 0.8 A at 24 V DC |
| Voltage tolerance: | \pm -15% of the nominal voltage |
| Coil duty rating: | Continuous up to max. 115% of the nominal voltage at 60 °C ambient temperature |
| Response time: | Energized: approx. 40 ms De-energized: approx. 60 ms |
| Coil type: | Coil...-40-1836 |

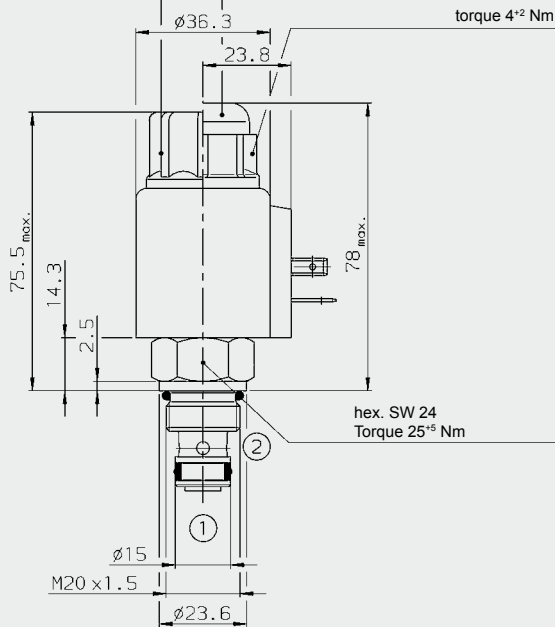
When the solenoid coil is de-energized, the valve is open in both directions.

When the solenoid coil is energized, the valve is closed in both directions.

DIMENSIONS

After loosening knurled nut, coil can be rotated through 360° and removed.

Manual override, with HNBR-rubber cap



MODEL CODE

WSM06020V - 01 M - C - N - 24 DG

Basic model _____
Directional poppet valve, metric

Type _____
01 = standard

Manual override _____
no details = without manual override
M = manual override

Body and ports * _____
C = cartridge only

Seals _____
N = NBR (standard)
V = FKM

Coil voltage _____
DC voltages
12 = 12 V DC
24 = 24 V DC

AC voltages (bridge rectifier built into the coil)
115 = 115 V AC
230 = 230 V AC

Other voltages on request

Coil connectors (type 40-1836) _____
DC: DG = DIN connector to EN 175301-803
DK = KOSTAL threaded connection M27x1
DL = 2 flying leads, 457 mm long, 0.75 mm²
DN = Deutsch connector, 2-pole, axial
DT = AMP Junior Timer, 2-pole, radial
AC: AG = DIN connector to EN 175301-803
Other connectors on request

Standard models

| Model code | Part No. |
|------------------------|----------|
| WSM06020V-01-C-N-24DG | 3135462 |
| WSM06020V-01-C-N-230AG | 3135461 |

* Standard in-line bodies

| Code | Part No. | Material | Ports | Pressure |
|---------------|----------|--------------------|-------|----------|
| R06020-01X-01 | 275266 | Steel, zinc-plated | G 3/8 | 420 bar |

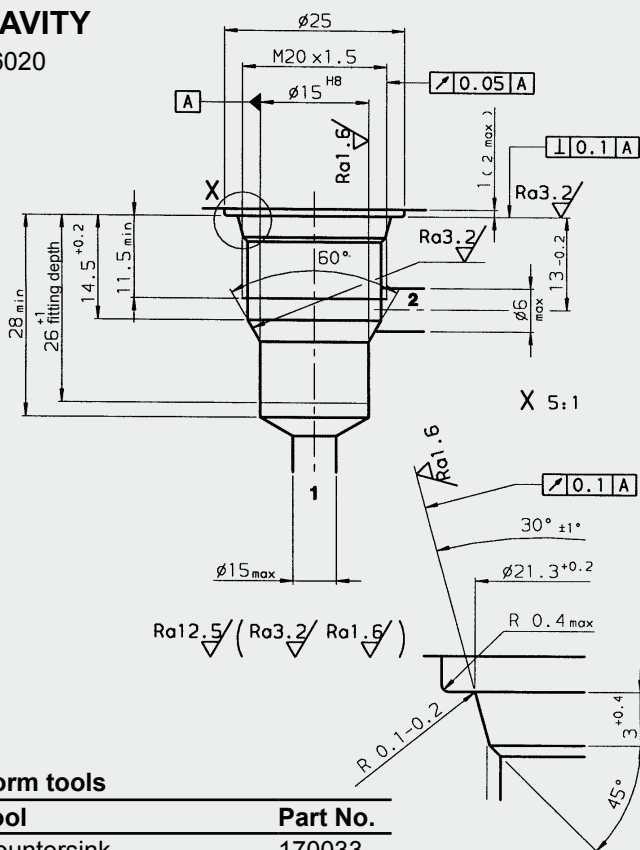
For other line bodies, see brochure no. E 5.252.

Seal kits

| Code | Material | Part No. |
|--------------------|----------|----------|
| SEAL KIT 06020-NBR | NBR | 3119017 |
| SEAL KIT 06020-FKM | FKM | 3262477 |

CAVITY

06020

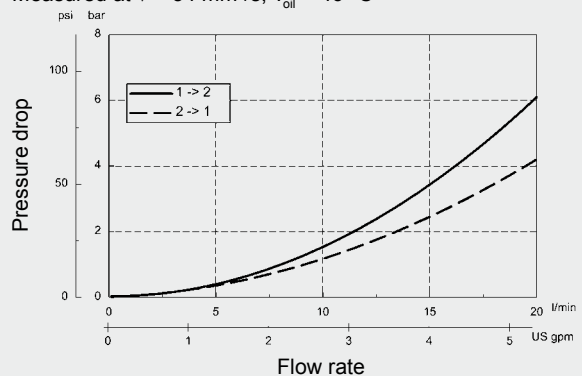


Form tools

| Tool | Part No. |
|-------------|----------|
| Countersink | 170033 |
| Reamer | 1000768 |

PERFORMANCE

Measured at $v = 34 \text{ mm}^2/\text{s}$, $T_{oil} = 46^\circ \text{C}$



Note

The information in this brochure relates to the operating conditions and applications described. For applications or operating conditions not described, please contact the relevant technical department.
Subject to technical modifications.

HYDAC Fluidtechnik GmbH

Justus-von-Liebig-Str.
D-66280 Sulzbach/Saar
Tel: 0 68 97 /509-01
Fax: 0 68 97 /509-598
E-Mail: flutec@hydac.com