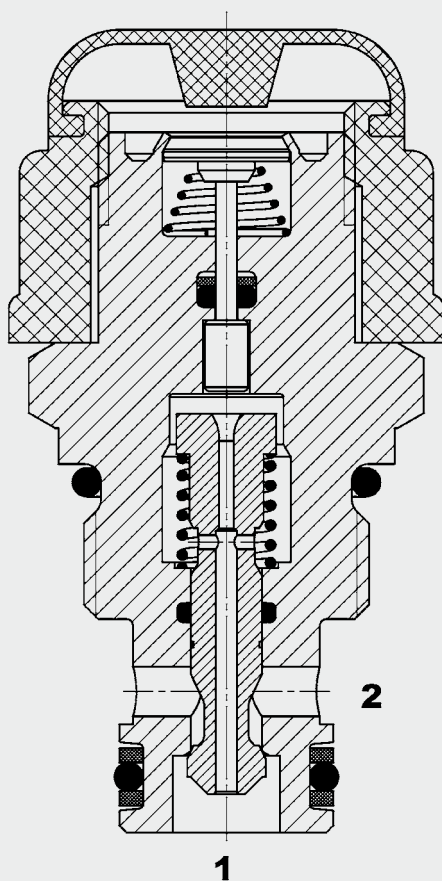


Up to 20 l/min  
Up to 250 bar

## FUNCTION



The directional valve WSM06020W...M is a normally closed, manually operated poppet valve.

The valve is operated manually and, as long as the mechanical plunger is pressed, allows flow between port 1 and port 2 in both directions.

## 2/2 Directional Poppet Valve Manually Operated, Normally Closed Metric Cartridge – 250 bar WSM06020W...M

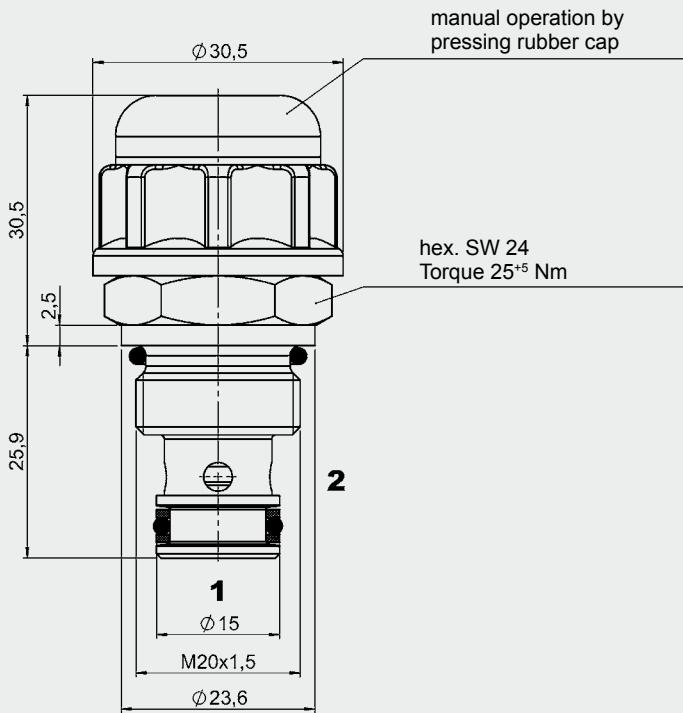
### FEATURES

- For use in systems to be controlled manually
- External surfaces zinc-plated and corrosion-proof
- Hardened and ground internal valve components to ensure minimal wear and extended service life
- Low pressure drop due to CFD optimized flow path

### SPECIFICATIONS

Operating pressure	max. 250 bar
Nominal flow:	max. 20 l/min
Operating force:	Thumb pressure (approx. 40 - 70 N)
Internal leakage:	Leakage-free
Media operating temperature range:	min. -30 °C to max. +100 °C
Ambient temperature range:	min. -30 °C to max. +100 °C
Operating fluid:	Hydraulic oil to DIN 51524 Part 1 and 2
Viscosity range:	min. 7.4 mm <sup>2</sup> /s to max. 420 mm <sup>2</sup> /s
Filtration:	Class 21/19/16 according to ISO 4406 or cleaner
MTTF <sub>d</sub> :	150 years (see "Conditions and instructions for valves" in brochure 5.300)
Installation:	No orientation restrictions
Materials:	Valve body: high tensile steel Poppet: hardened and ground steel Seals: NBR (standard) FKM (optional, media temperature range -20 °C to +120 °C) Back-up rings: PTFE
Cavity:	06020 metric
Weight:	0.09 kg

## DIMENSIONS



## MODEL CODE

**WSM06020W - 01 - C - N - M**

**Basic model** \_\_\_\_\_  
Directional poppet valve, metric

**Type** \_\_\_\_\_  
01 = standard

**Body and ports** \_\_\_\_\_  
C = cartridge

**Seals** \_\_\_\_\_  
N = NBR (standard)  
V = FPM

**Type of operation** \_\_\_\_\_  
M = manual

## Standard models

Model code	Part No.
WSM06020W-01-C-N-M	3059183

Other models on request

## Standard in-line bodies

Code	Part No.	Material	Ports	Pressure
R06020-01X-01	275266	Steel, zinc-plated	G 3/8	420 bar
R06020-10X-01	276842	Steel, zinc-plated	G 3/8	420 bar

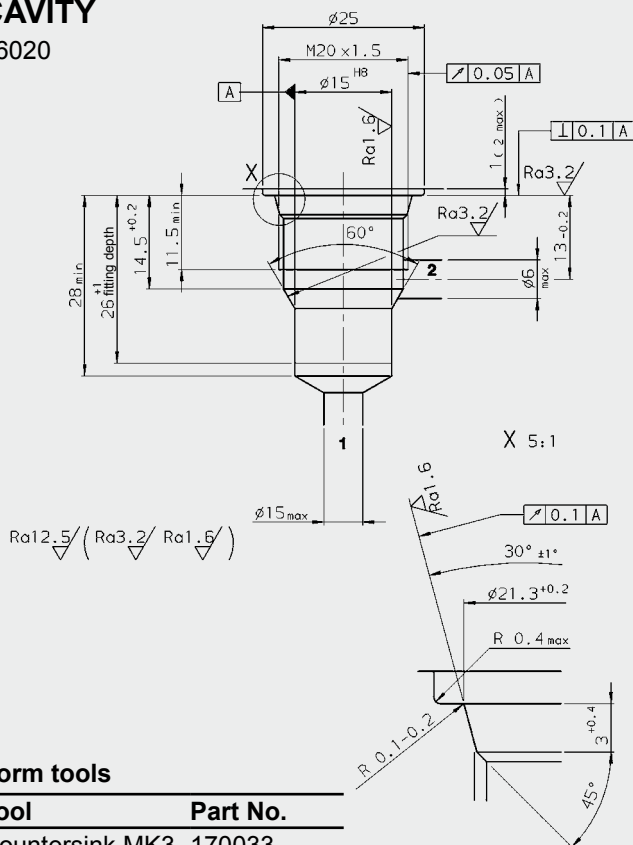
Other line bodies on request

## Seal kits

Code	Part No.
SEAL KIT 06020-NBR	3119017
SEAL KIT 06020-FKM	3262477

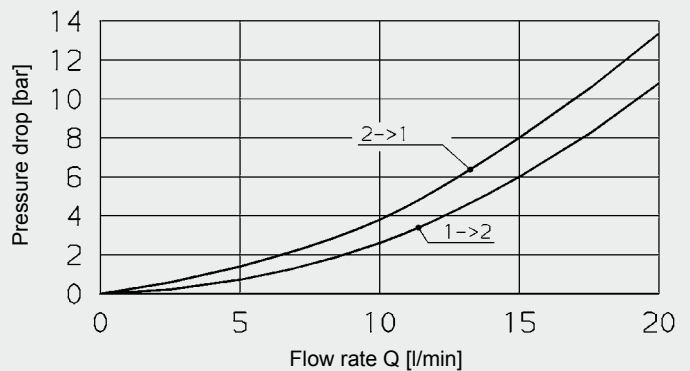
## CAVITY

06020



## PERFORMANCE

Measured at  $v = 33 \text{ mm}^2/\text{s}$ ,  $T_{\text{oil}} = 46 \text{ }^\circ\text{C}$



## Note

The information in this brochure relates to the operating conditions and applications described. For applications or operating conditions not described, please contact the relevant technical department. Subject to technical modifications.

**HYDAC Fluidtechnik GmbH**  
Justus-von-Liebig-Str.  
**D-66280 Sulzbach/Saar**  
Tel: 0 68 97 /509-01  
Fax: 0 68 97 /509-598  
E-Mail: flutec@hydac.com