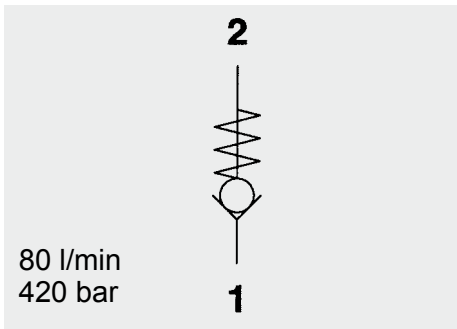
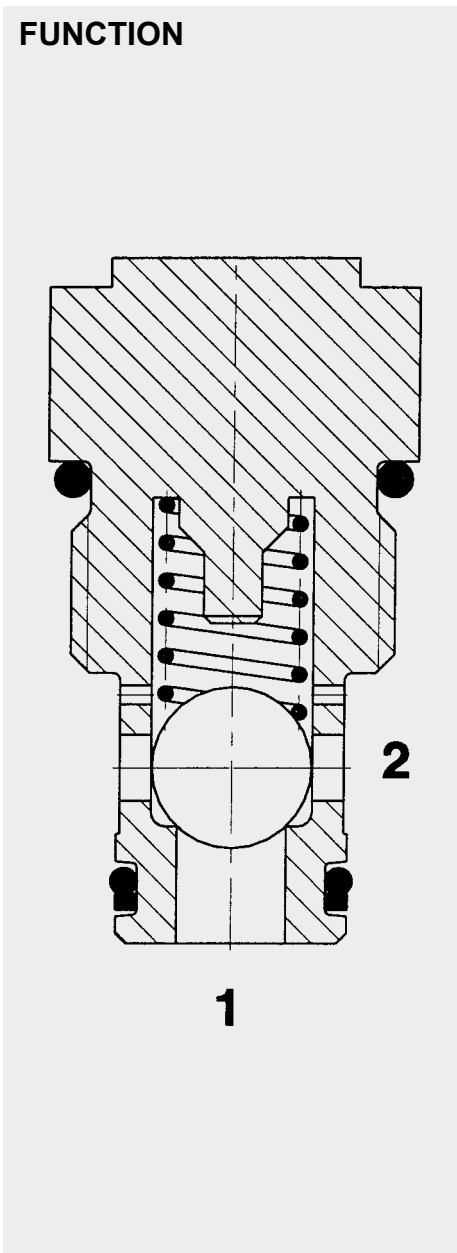


Check Valve Ball Poppet Type Direct Acting SAE-10 Cartridge – 420 bar RV10A-01



FUNCTION



The check valve RV10A is a direct-acting, spring-loaded poppet valve. When there is no flow through the valve, the spring holds the ball in the closed position and therefore shuts off port 2 from port 1. The valve opens when the pressure at port 1 is higher than the pressure at port 2, including the pressure created by the spring force.

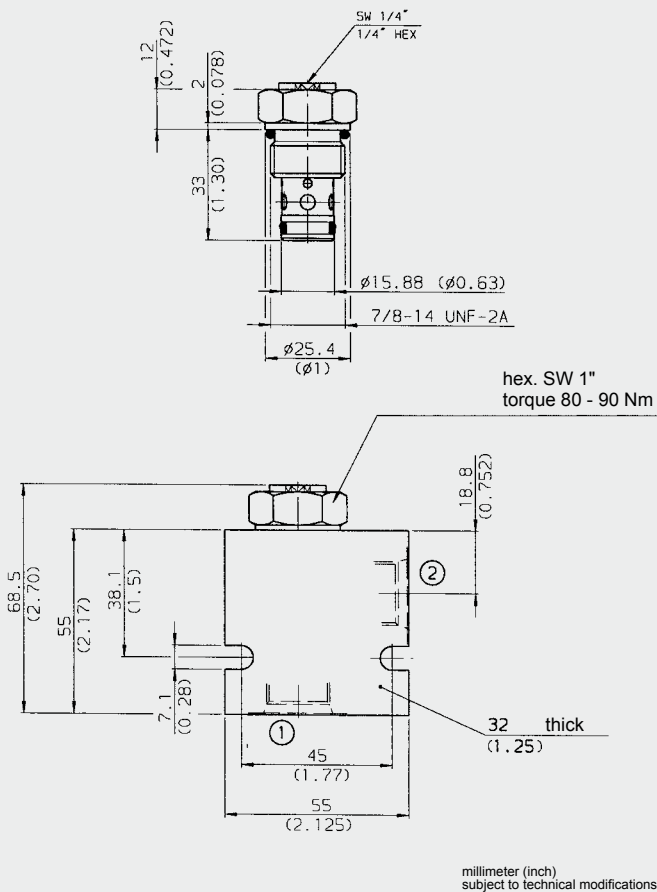
FEATURES

- External surfaces zinc-plated and corrosion-proof
- Hardened closing element
- Low leakage design
- Compact design

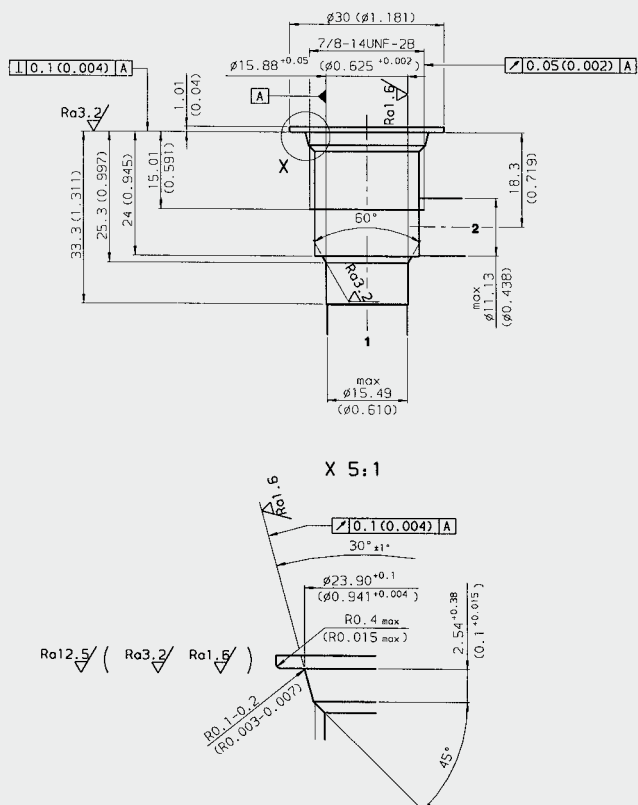
SPECIFICATIONS

| | |
|------------------------------------|--|
| Operating pressure: | max. 420 bar |
| Nominal flow: | max. 80 l/min |
| Internal leakage: | max. 0.1 cm ³ /min at 420 bar |
| Cracking pressure: | 0.35 bar 1.00 bar 2.00 bar 5.00 bar |
| Media operating temperature range: | min. -30 °C to max. +100 °C |
| Ambient temperature range: | min. -30 °C to max. +100 °C |
| Operating fluid: | Hydraulic oil to DIN 51524 Part 1 and 2 |
| Viscosity range: | min. 7.4 mm ² /s to max. 420 mm ² /s |
| Filtration: | Class 21/19/16 according to ISO 4406 or cleaner |
| MTTF _d : | 150 years (see "Conditions and instructions for valves" in brochure 5.300) |
| Installation: | No orientation restrictions |
| Materials: | Valve body: free-cutting steel Ball poppet: hardened and ground steel Seals: NBR (standard) FKM (optional, media temperature range -20 °C to +120 °C) |
| Cavity: | FC10-2 |
| Weight: | 0.1 kg |

DIMENSIONS



CAVITY FC10-2



Form tools

| Tool | Part No. |
|--------------------|----------|
| Countersink FC10-2 | 176379 |
| Reamer FC10-2 | 165706 |

millimeter (inch)
subject to technical modifications

MODEL CODE

RV10A-01 - C - N - 05

Basic model

Check valve UNF

Body and ports*

C = cartridge only

SB4 = G1/2 ports, steel body

AB4 = G1/2 ports, aluminium body

Seals

N = NBR (standard)

V = FKM

Cracking pressure

05 = 0.35 bar (5 PSI)

15 = 1.00 bar (15 PSI)

30 = 2.00 bar (30 PSI)

70 = 5.00 bar (70 PSI)

Standard models

| Model code | Part No. |
|-----------------|----------|
| RV10A-01-C-N-05 | 3014052 |
| RV10A-01-C-N-15 | 3014103 |
| RV10A-01-C-N-30 | 3014104 |
| RV10A-01-C-N-70 | 3014105 |

*Standard in-line bodies

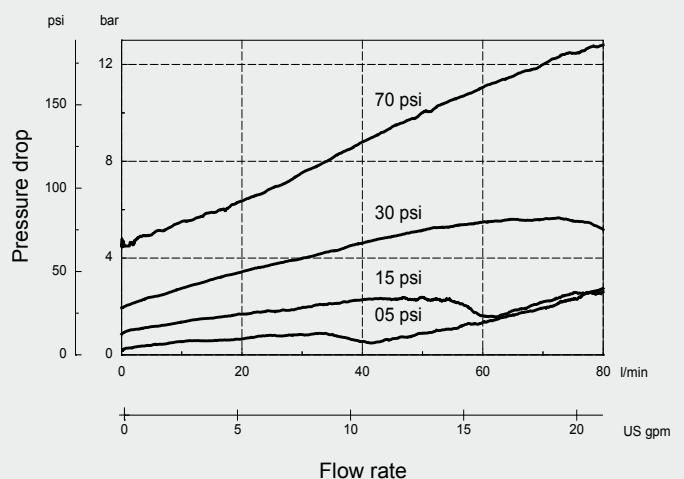
| Code | Part No. | Material | Ports | Pressure |
|-----------|----------|---------------------|-------|----------|
| FH102-SB4 | 3037594 | Steel, zinc-plated | G1/2 | 420 bar |
| FH102-AB4 | 3037777 | Aluminium, anodized | G1/2 | 210 bar |

Seal kits

| Code | Material | Part No. |
|------------------|----------|----------|
| FH102-N Seal kit | NBR | 3033872 |
| FH102-V Seal kit | FKM | 3051757 |

PERFORMANCE

Measured at $v = 34 \text{ mm}^2/\text{s}$, $T_{\text{oil}} = 46 \text{ }^\circ\text{C}$



Note

The information in this brochure relates to the operating conditions and applications described. For applications or operating conditions not described, please contact the relevant technical department.
Subject to technical modifications.

HYDAC Fluidtechnik GmbH

Justus-von-Liebig-Str.
D-66280 Sulzbach/Saar
Tel: 0 68 97 /509-01
Fax: 0 68 97 /509-598
E-Mail: flutec@hydac.com