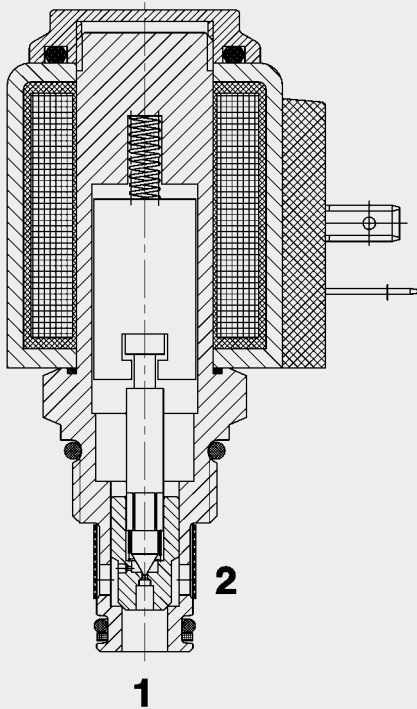


## 2/2 Solenoid Directional Valve **UNF** Poppet Type, Pilot-Operated Normally Closed Screen Filter SAE-08 Cartridge – 350 bar

WS08Z-30

### FUNCTION



### FEATURES

- Excellent switching performance by high power HYDAC solenoid
- Hardened and ground internal valve components to ensure minimal wear and extended service life
- External surfaces zinc-plated and corrosion-proof
- Wide variety of connectors available
- Low pressure drop due to CFD optimized flow path
- In flow direction 2 to 1 internal valve parts protected against coarse contamination by screen filter

### SPECIFICATIONS

Operating pressure:	max. 350 bar
Nominal flow:	max. 30 l/min
Leakage:	Leak-free (max. 5 drops = 0,25 cm <sup>3</sup> /min at 350 bar)
Media operating temperature range:	min. -20 °C to max. +100 °C
Ambient temperature range:	min. -20 °C to max. 60 °C
Operating fluid:	Hydraulic oil to DIN 51524 Part 1 and 2
Viscosity range:	min. 7.4 mm <sup>2</sup> /s to max. 420 mm <sup>2</sup> /s
Filtration:	Class 21/19/16 according to ISO 4406 or cleaner
Screen filter:	300 µm mesh size
MTTF <sub>d</sub> :	150 years (see "Conditions and instructions for valves" in brochure 5.300)
Installation:	No orientation restrictions
Materials:	Valve body: free-cutting steel Poppet: hardened and ground steel Seals: NBR (standard) FKM (optional, media temperature range -20 °C to +120 °C) Back-up rings: PTFE Coil: steel / polyamide
Cavity:	FC08-2
Weight:	Valve complete 0.33 kg Coil only 0.19 kg

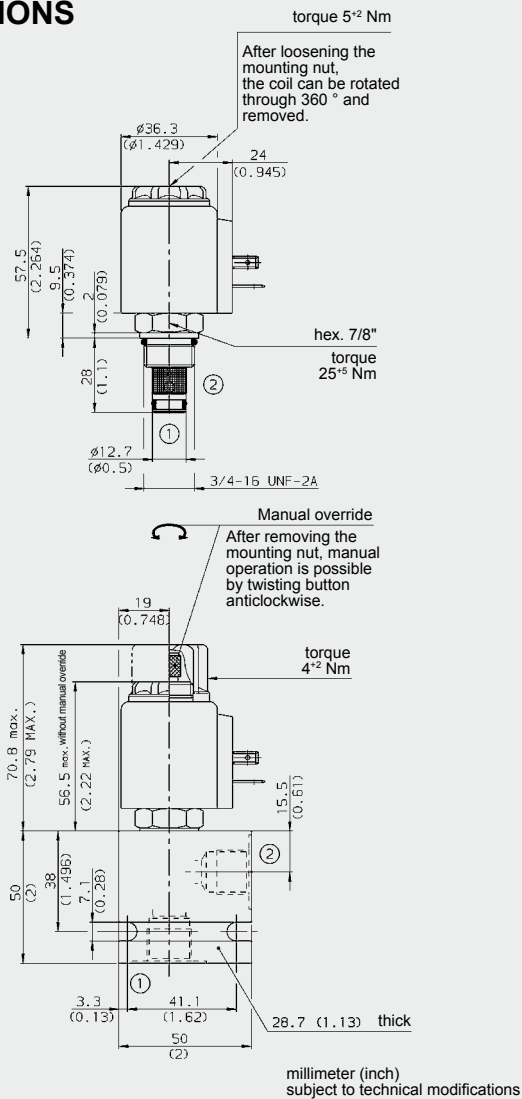
### Electrical data:

Coil duty rating:	Continuous up to max. 115% of the nominal voltage at 60 °C ambient temperature
Current draw at 20 °C:	1.5 A at 12 V DC 0.8 A at 24 V DC
Voltage tolerance:	± 15% of the nominal voltage
Response time:	Energized: approx. 35 ms De-energized: approx. 50 ms
Coil type:	Coil...-40-1836

When the solenoid coil is not energized, the valve is closed from port 2 to port 1. Flow is permitted from port 1 to port 2.

When energized, there is free flow through the valve from port 2 to 1. Flow from port 1 to 2 is prevented.

## DIMENSIONS



## MODEL CODE

**WS08Z - 30 M - C - N - 24 DG**

**Basic model**  
Directional poppet valve, UNF, with screen filter

**Type**  
01 = standard

**Manual override**  
No details = without manual override  
M = manual override

**Body and parts\***  
C = cartridge only  
SB3 = G3/8 ports, steel body  
AB3 = G3/8 ports, aluminium body

**Seals**  
N = NBR (standard)  
V = FKM

**Coil voltage**  
**DC voltages**  
12 = 12 V DC  
24 = 24 V DC

**AC voltages** (bridge rectifier built into the coil)  
115 = 115 V AC  
230 = 230 V AC

Other voltages on request

**Coil connectors (type 40-1836)**  
DC: DG = DIN connector to EN 175301-803  
DK = KOSTAL threaded connection M27x1  
DL = 2 flying leads, 457 mm long, 0.75 mm<sup>2</sup>  
DN = Deutsch connector, 2-pole, axial  
DT = AMP Junior Timer, 2-pole, radial

AC: AG = DIN connector to EN 175301-803  
Other connectors on request

## Standard models

Model code	Part No.
WS08Z-30-C-N-24DG	3132859
WS08Z-30-C-N-230AG	3132860

## \*Standard in-line bodies

Code	Part No.	Material	Ports	Pressure
FH082-SB3	560919	Steel, zinc-plated	G3/8	420 bar
FH082-AB3	3011423	Aluminium, anodized	G3/8	210 bar

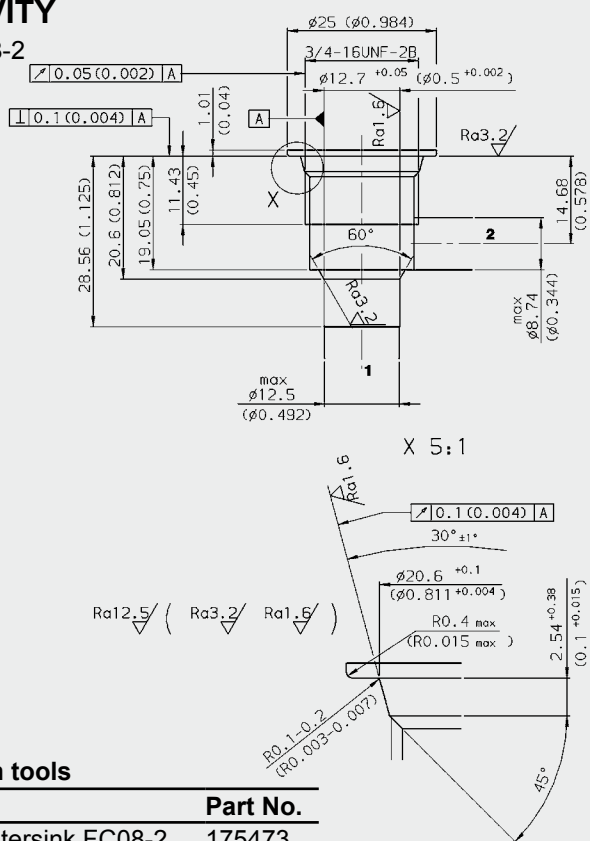
Other line bodies on request

## Seal kits

Code	Material	Part No.
FS082-N SEAL KIT	NBR	3033920
FS082-V SEAL KIT	NBR	3051756

## CAVITY

FC08-2



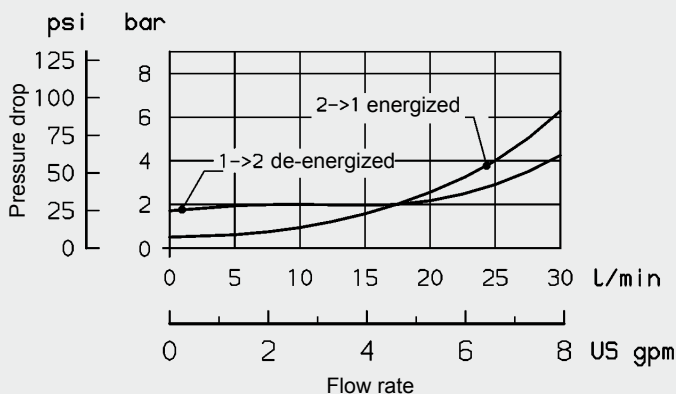
## Form tools

Tool	Part No.
Countersink FC08-2	175473
Reamer FC08-2	175474

millimeter (inch) subject to technical modifications

## PERFORMANCE

Measured at  $v = 33 \text{ mm}^2/\text{s}$ ,  $T_{oil} = 46 \text{ }^\circ\text{C}$



## NOTE

The information in this brochure relates to the operating conditions and applications described. For applications or operating conditions not described, please contact the relevant technical department.  
Subject to technical modifications.

**HYDAC Fluidtechnik GmbH**  
Justus-von-Liebig-Str.  
**D-66280 Sulzbach/Saar**  
Tel: 0 68 97 /509-01  
Fax: 0 68 97 /509-598  
E-Mail: flutec@hydac.com