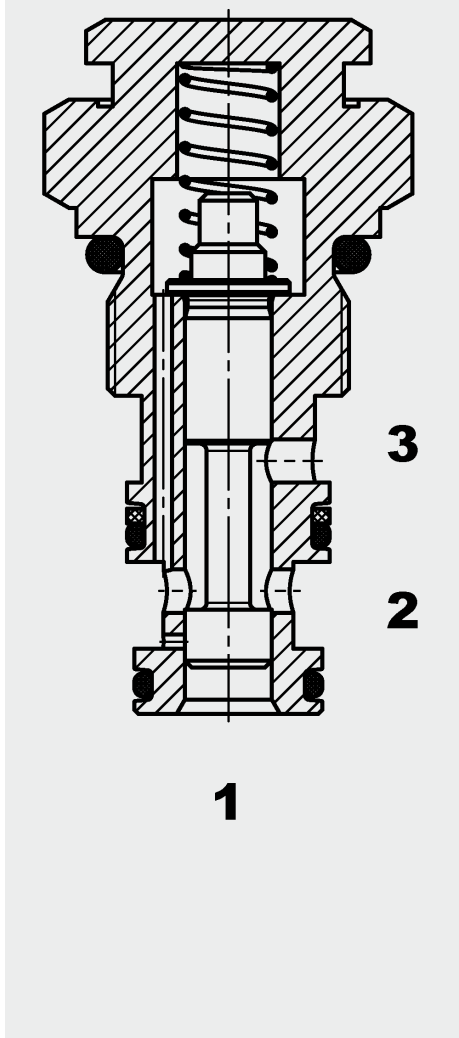


FUNCTION



The WKH05330 is a hydraulically operated, 3/2 directional valve. Pump port 1 is closed in the normal position. There is free flow through the valve from port 2 (consumer) to port 3 (tank) below the spring pressure.

With an increase in pressure at port 1 against the spring force, the valve opens from pump port 1 to port 2. The tank port 3 is then closed.

3/2 Directional Spool Valve Hydraulically Operated Direct Acting Metric Cartridge – 350 bar

WKH05330

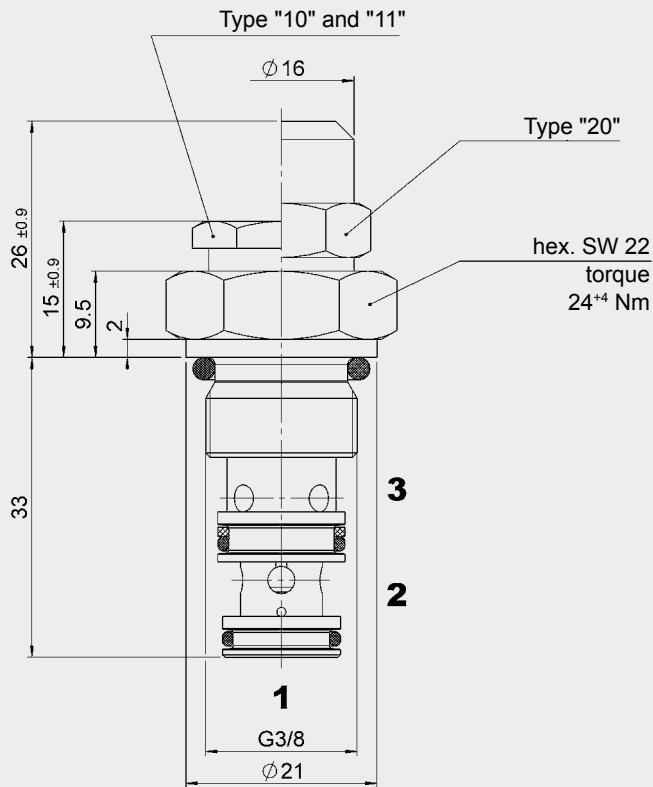
FEATURES

- Excellent stability throughout the entire flow range
- External surfaces zinc-plated and corrosion-proof
- Hardened and ground control spool to ensure minimal wear and extended service life
- Low pressure drop due to CFD optimized flow path

SPECIFICATIONS

Operating pressure:	max. 250 bar
Nominal flow:	max. 15 l/min
Internal leakage:	max. 120 cm ³ /min at 250 bar and 36 mm ² /s
Media operating temperature range:	min. -20 °C to max. +120 °C
Ambient temperature range:	min. -20 °C to max. +120 °C
Operating fluid:	Hydraulic oil to DIN 51524 Part 1 and 2
Viscosity range:	min. 10 mm ² /s to max. 420 mm ² /s
Filtration:	Class 21/19/16 according to ISO 4406 or cleaner
MTTF _d :	150 years (see "Conditions and instructions for valves" in brochure 5.300)
Installation:	No orientation restrictions
Material:	Valve body: free-cutting steel Spool: hardened and ground steel
	Seals: FKM Back-up rings: PTFE
Cavity	05330 metric
Weight:	approx. 0.065 kg

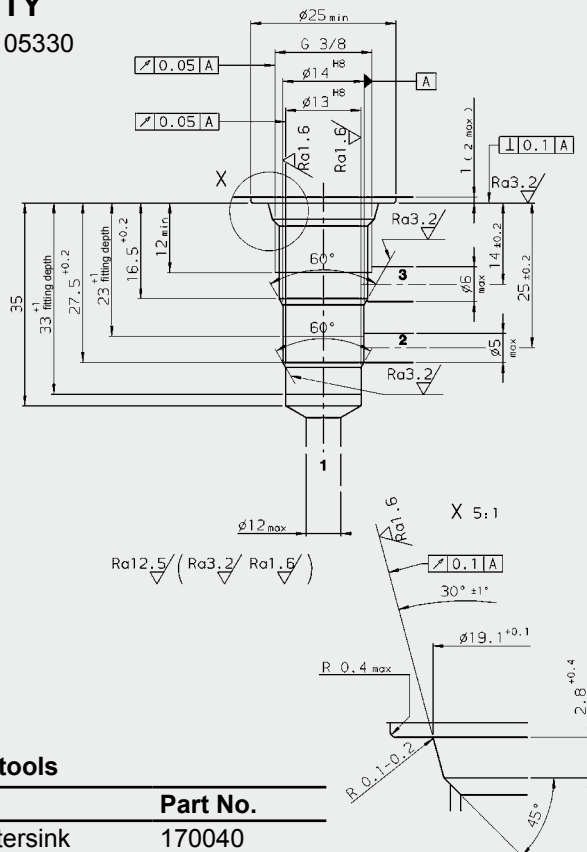
DIMENSIONS



millimeter
subject to technical modifications

CAVITY

Metric 05330



millimeter
subject to technical modifications

Form tools

Tool	Part No.
Countersink	170040
Reamer	1014203

TYPENSCHLÜSSEL

WKH05330 - 10 X

Basic model _____
Directional valve, hydraulically operated

Type _____
10 = 2.5 bar spring pressure
11 = 5 bar spring pressure
20 = 20 bar spring pressure

Series _____
(determined by manufacturer)

Standard models

Model code	Part No.
WKH05330-10X	710273
WKH05330-11X	710272
WKH05330-20X	3341739

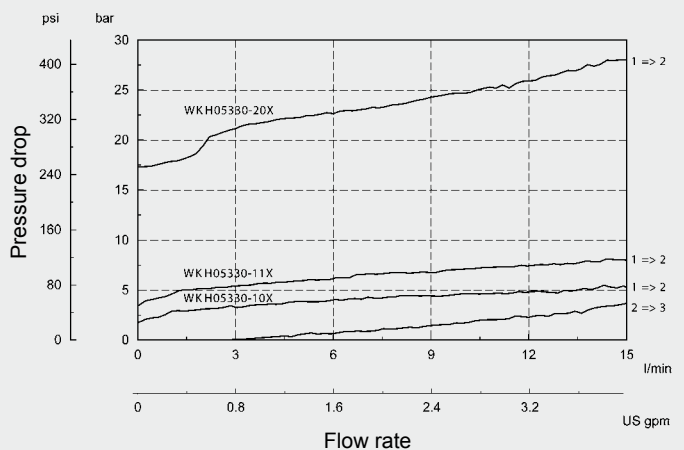
Other models on request

Seal kits

Code	Part No.
Seal kit WKH05330-XXXFKM	3006592

PERFORMANCE

Measured at $v = 34 \text{ mm}^2/\text{s}$, $T_{\text{oil}} = 46 \text{ }^\circ\text{C}$



NOTE

The information in this brochure relates to the operating conditions and applications described. For applications or operating conditions not described, please contact the relevant technical department.
Subject to technical modifications.

HYDAC Fluidtechnik GmbH
Justus-von-Liebig-Str.
D-66280 Sulzbach/Saar
Tel: 0 68 97 /509-01
Fax: 0 68 97 /509-598
E-Mail: flutec@hydac.com