



2/2 slip-in cartridge cover

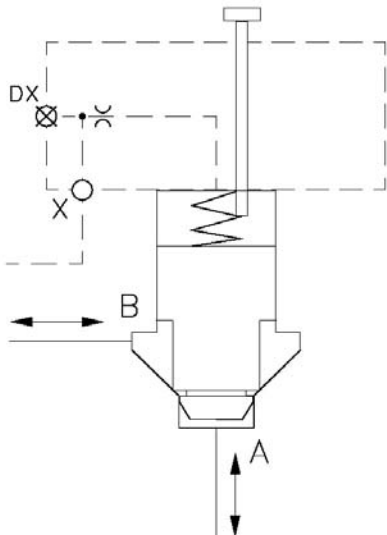
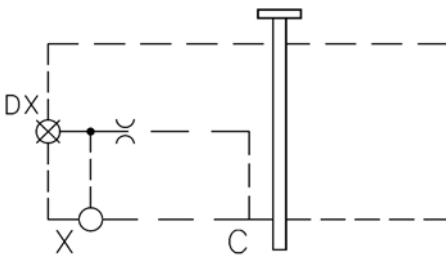
Function 1H

Series LD-CCE

Size 16 up to 63

SYMBOL

P max = 350 bar



FEATURES:

- 2/2 slip-in cartridge covers with remote control port according to ISO 7368
- with possibility to built-in a nozzle at port X
- with adjustable stroke limitation (needle function)

Needle FUNCTION:

By using a 1H-cover in combination with a 2/2 slip-in cartridge the port X will be connected to tank at pressure discharge - so that a directional function is realized with flow from A -> B or B -> A.

If the control port X of the cover will be charged with the highest system pressure or with the highest pressure of A or B, the flow from A to B and inverse is blocked. By the adjustable stroke limitation the flow in both directions will be throttled. An adjustment of the stroke under pressure is limited. The 2/2 slip-in cartridge may also be closed by the stroke limitation.

The 2/2 slip-in cartridge covers 1H can be combined with A, B and C-cone, but not in conjunction with cone with sealing between cone and sleeve.

SPECIFICATIONS:

Operating pressure:	max. 350 bar
Temp. range of operating fluid:	min. -20°C up to max. +80°C
Ambient temperature range:	min. -20°C up to max. +60°C
Operating fluid:	hydraulic fluid according to DIN 51524 part 1 and 2
Filtration:	Class 20/18/15 according to ISO 4406 (C)
Viscosity range:	2,8 up to 380 mm ² /s
Seals:	KM + PU (NBR / FKM on request)

Standard models

Type	Part No.
LD-CCE 16 D 6 1H 2	6071672
LD-CCE 25 D 6 1H 2	6071674
LD-CCE 32 D 6 1H 2	6071675
LD-CCE 40 D 6 1H 2	6071676
LD-CCE 50 D 6 1H 2	6071677
LD-CCE 63 D 6 1H 2	6071678

Nozzles

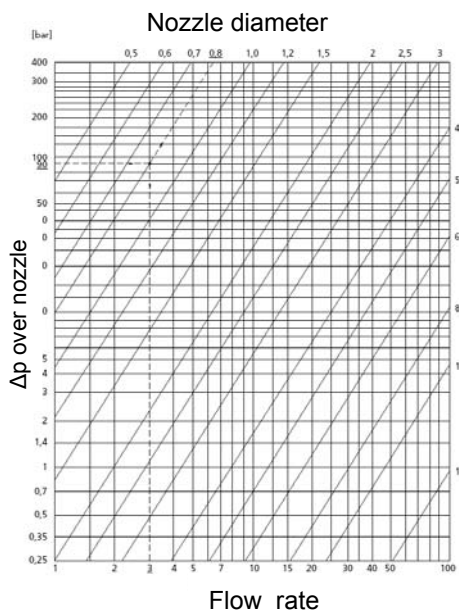
Ports **NG16 NG25 NG32**
X M5 M6 M6

X **NG40 NG50 NG63**
M8 M8 M10

Nozzle 0,8	Part No.
Nozzle covers M5x0,8	6071916
Nozzle covers M6x0,8	6071917
Nozzle covers M8x0,8	6071918
Nozzle covers M10x0,8	6071919

Nozzle 1,5	Part No.
Nozzle covers M5x1,5	6071920
Nozzle covers M6x1,5	6071921
Nozzle covers M8x1,5	6071922
Nozzle covers M10x1,5	6071923

Nozzle choice



Annotation

The technical information in this brochure are relating to the operating conditions and applications.

At deviant applications and/or operating conditions please contact the technical dept.

Technical information are subject to technical modifications.

HYDAC Fluidtechnik GmbH
 Justus-von-Liebig-Str. 5
 66280 Sulzbach / Saar
 Tel.: 06897 / 509-0
 Fax: 06897 / 509-598
 Email: flutec@hydac.com

MODEL CODE

LD - C C E 16 D 6 1H 2

Name

LD-CCE= 2/2 slip-in cartridge covers,
 Standard

Nominal size

Size 16, 25, 32, 40, 50, 63

Series

named by manufacturer

Type

Threads and control ports according to ISO 7368

Cover code

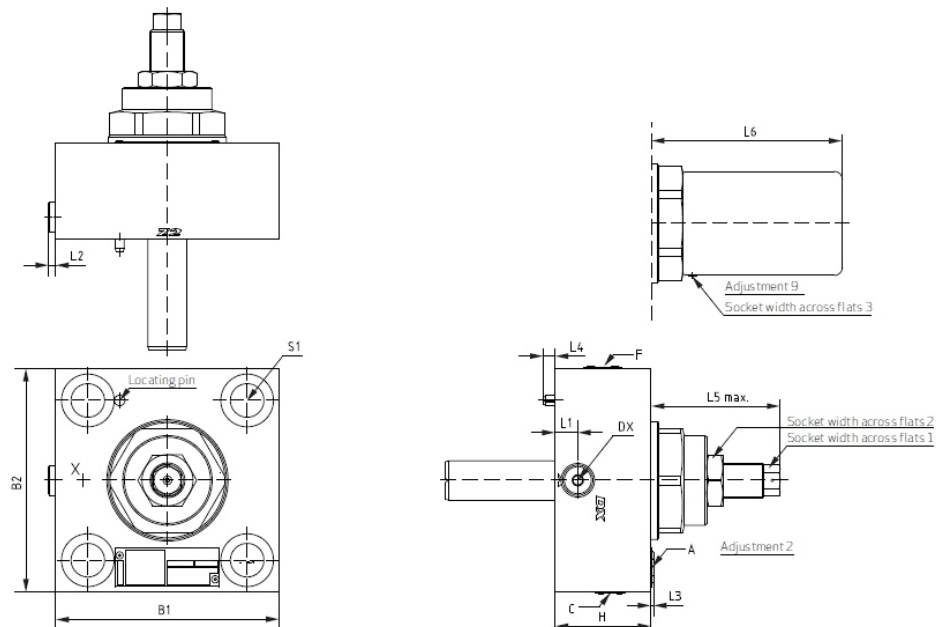
1H = functional symbol

Adjustment

2 = Allen screw with counter nut (Standard)

9 = Allen screw with counter nut and protection cap, lead-sealable
 (on request)

DIMENSIONS



Size	16	25	32	40	50	63
B1 [mm]	65	85	102	125	140	180
B2 [mm]	65	85	102	125	140	180
H [mm]	35	35	45	60	60	80
L1 [mm]	17	12	21	20	14	27
L2 [mm]	3,5	3,5	4,5	4,5	4,5	4,5
L3 [mm]	1,6	1,6	1,6	1,6	1,6	1,6
L4 [mm]	5	5,5	6	6	7,5	8
L5 max [mm]	50,5	50,5	62	62	81	117
L6 [mm]	83,5	83,5	80	80	120	131
approx. L7 [mm]	94	94	90,5	90,5	129	140
Nameplate on the side	C	C	F	C	A	A
Plug DX**	G 1/8"	G 1/8"	G 1/4"	G 1/4"	G 1/4"	G 3/8"
Tightening torque [mm]	12	12	27	27	27	56
Socket width across flats	5	5	6	6	6	8
Socket width across flats 1	8	8	10	10	17	19
Socket width across flats 2	19	19	24	24	32	46
Tightening torque	65	65	85	85	110	150
Socket width across flats 2 [Nm]						
Socket width across flats 3 (Allen screw)	2	2	2	2	2	2
Tightening torque	5	5	5	5	5	5
Socket width across flats 3 [Nm]						
S1* DIN EN ISO 4762 - 12.9	M8x35	M12x40	M16x50	M20x70	M20x70	M30x90
Tightening torque [Nm]	30	100	300	550	550	1800
Weight [kg]	1,4	2,7	4	7,3	10,3	19,2

*not part of the delivery, **may also be used as test port