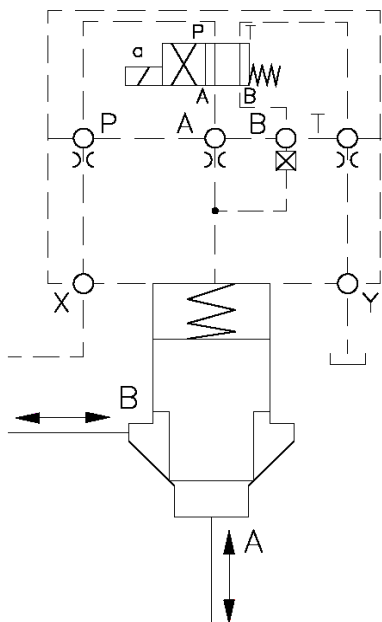
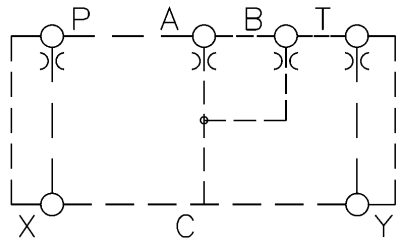




2/2 slip-in cartridge cover Function RM Series LD-CCE Size 16 up to 63

SYMBOL

P max = 350 bar



FEATURES:

- 2/2 slip-in cartridge covers with remote control port according to ISO 7368
- with possibility to built-in a nozzle at port P, A, B, T
- with port scheme size 6 and size 10

Pilot operated directional FUNCTION:

By using a RM-cover in combination with a 2/2 slip-in cartridge and a body mounted spool valve a directional function will be realized if port B is plugged and the coil is energized - with flow from A → B or B → A. This will be realized by pressure discharge of the springchamber of the 2/2 slip-in cartridges. If the control port X of the cover will be charged with the highest system pressure or with the highest pressure of A or B, the flow from A to B and inverse is blocked if port B is plugged and the coil is de-energized. If port A is plugged and the coil is energized there will be exactly the inverse function of the a.m. at energized and de-energized coil.

The 2/2 slip-in cartridge covers RM can be combined with cone B and C. Up to size 50 the 2/2 slip-in cartridge covers can be combined with 4/2-body mounted spool valves size 6. For 2/2 slip-in cartridge covers size 63 there may only be used 4/2 body mounted spool valves size 10.

SPECIFICATIONS:

Operating pressure:	max. 350 bar
Temp. range of operating fluid:	min. -20°C up to max. +80°C
Ambient temperature range:	min. -20°C up to max. +60°C
Operating fluid:	hydraulic fluid according to DIN 51524 part 1 and 2
Filtration:	Class 20/18/15 according to ISO 4406 (C)
Viscosity range:	2,8 up to 380 mm ² /s
Seals:	FKM + PU (NBR / FKM on request)

Standard models

Type	Part No.
LD-CCE 16 D 6 RM	6071679
LD-CCE 25 D 6 RM	6071681
LD-CCE 32 D 6 RM	6071682
LD-CCE 40 D 6 RM	6071683
LD-CCE 50 D 6 RM	6071684
LD-CCE 63 D 6 RM	6071685

Nozzles

Ports **NG16 NG25 NG32**
P, A, B, T M6 M6 M6

NG40 NG50 NG63
P, A, B, T M6 M6 M10

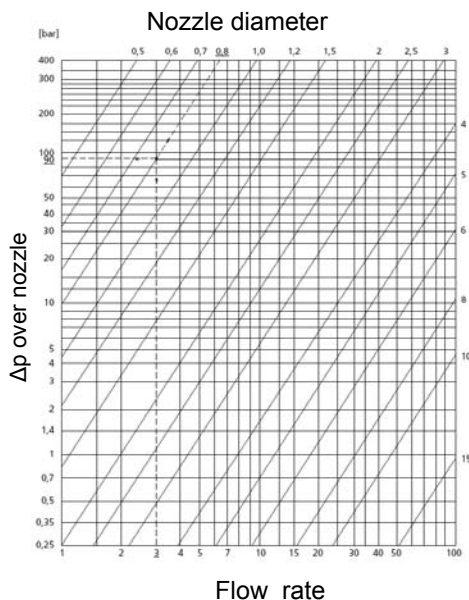
Nozzle 0,8 Part No.

Nozzle covers M5x0,8	6071916
Nozzle covers M6x0,8	6071917
Nozzle covers M8x0,8	6071918
Nozzle covers M10x0,8	6071919

Nozzle 1,5 Part No.

Nozzle covers M5x1,5	6071920
Nozzle covers M6x1,5	6071921
Nozzle covers M8x1,5	6071922
Nozzle covers M10x1,5	6071923

Nozzle choice



Annotation

The technical information in this brochure are relating to the operating conditions and applications.

At deviant applications and/or operating conditions please contact the technical dept.

Technical information are subject to technical modifications.

HYDAC Fluidtechnik GmbH
 Justus-von-Liebig-Str. 5
 66280 Sulzbach / Saar
 Tel.: 06897 / 509-0
 Fax: 06897 / 509-598
 Email: flutec@hydac.com

MODEL CODE

LD-CCE 16 D 6 RM

Name

LD-CCE= 2/2 slip-in cartridge covers,
 Standard

Nominal size

Size 16, 25, 32, 40, 50, 63

Series

named by manufacturer

Type

Threads and control ports according to ISO 7368

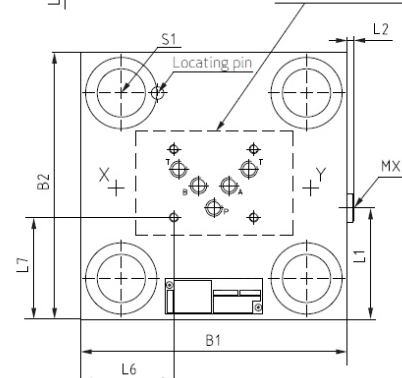
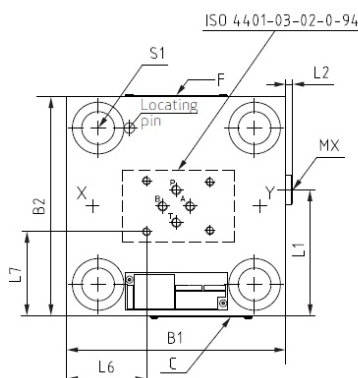
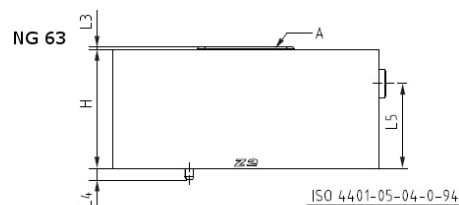
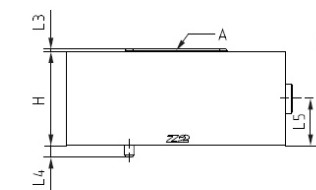
Cover code

RM = functional symbol

DIMENSIONS

(additional measuring port at sizes > 32)

(Size 63 nozzle possible in both T ports)



Size	16	25	32	40	50	63
B1 [mm]	80	85	102	125	140	180
B2 [mm]	65	85	102	125	140	180
H [mm]	35	40	45	60	60	80
L1 [mm]	-	-	61,3	73	80,4	74,9
L2 [mm]	-	-	3,5	4,5	4,5	4,5
L3 [mm]	1,6	1,6	1,6	1,6	1,6	1,6
L4 [mm]	5	5,5	6	6	7,5	8
L5 [mm]	-	-	27	30	30	57
L6 [mm]	7	22,25	30,75	43,5	51	63
L7 [mm]	16,25	26,25	34,75	46,25	53,75	68,6
Nameplate on the side	C	C	F	C	A	A
Plug MX	-	-	G 1/8"	G 1/4"	G 1/4"	G 1/4"
Tightening torque [Nm]	-	-	12	27	27	27
Socket width across flats	-	-	5	6	6	6
S1* DIN EN ISO 4762 - 12.9	M8x35	M12x40	M16x50	M20x70	M20x70	M30x90
Tightening torque [Nm]	30	100	300	550	550	1800
Weight [kg]	1,3	2	3	6,2	8	17

*not part of the delivery