

2/2 slip-in cartridge cover

Function 2WR

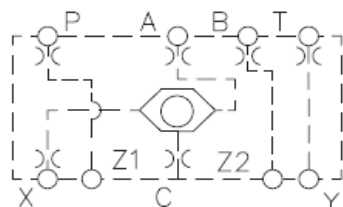
Series LD-CCE

Size 16 up to 63

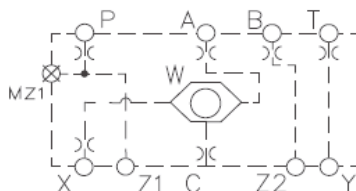
SYMBOL

P_{max} = 350 bar

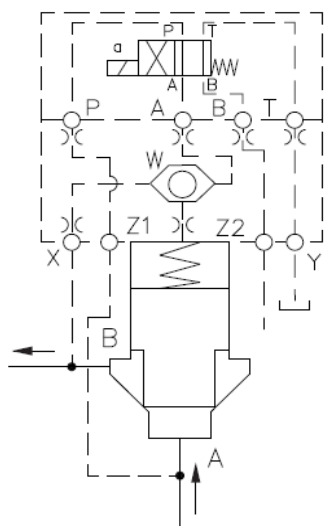
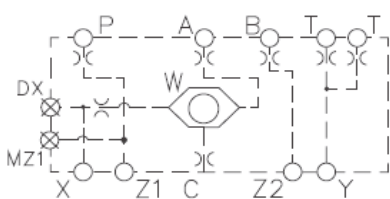
NG16, 25



NG32, 40, 50



NG63



FEATURES:

- 2/2 slip-in cartridge covers with remote control port according to ISO 7368
- with possibility to built-in a nozzle at port P, A, B, T, X, C

FUNCTION:

Pilot operated directional valve with shuttle change over function

By using a 2WR-cover in combination with a 2 way directional cartridge valve and a check function will be realized in energized mode with flow from port A -> B. The flow direction from B -> A is always closed. In de-energized mode the flow direction from A -> B is closed. The control port Z1 of the cover is charged with the highest system pressure.

The control port Z2 may be used for the actuation of a second cartridge valve.

SPECIFICATIONS:

Operating pressure:	max. 350 bar
Temp. range of operating fluid:	min. -20°C up to max. +80°C
Ambient temperature range:	min. -20°C up to max. +60°C
Operating fluid:	hydraulic fluid according to DIN 51524 part 1 and 2
Filtration:	Class 20/18/15 according to ISO 4406 (C)
Viscosity range:	2,8 up to 380 mm ² /s
Seals:	FKM + PU (NBR / FKM on request)

Standard models

Type	Part No.
LD-CCE 16 D6 2WR	6083431
LD-CCE 25 D6 2WR	6083432
LD-CCE 32 D6 2WR	6083433
LD-CCE 40 D6 2WR	6083434
LD-CCE 50 D6 2WR	6083435
LD-CCE 63 D6 2WR	6083436

Nozzles

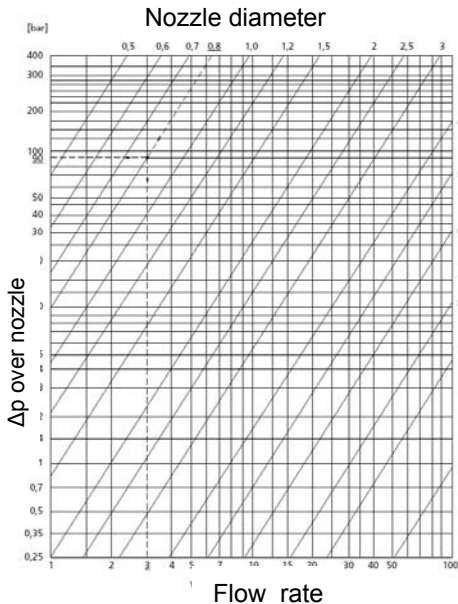
Ports	NG16	NG25	NG32
X, C	M5	M6	M6
P, A, B, T	M6	M6	M6

Ports	NG40	NG50	NG63
X, C	M8	M8	M10
P, A, B, T	M6	M6	M10

Nozzle 0.8	Part No.
Nozzle Control cover M5x0,8	6071916
Nozzle Control cover M6x0,8	6071917
Nozzle Control cover M8x0,8	6071918
Nozzle Control cover M10x0,8	6071919

Nozzle 1.5	Part No.
Nozzle Control cover M5x1,5	6071920
Nozzle Control cover M6x1,5	6071921
Nozzle Control cover M8x1,5	6071922
Nozzle Control cover M10x1,5	6071923

Nozzle choice



Annotation

The technical information in this brochure are relating to the operating conditions and applications.

At deviant applications and/or operating conditions please contact the technical dept.

Technical information are subject to technical modifications.

HYDAC Fluidtechnik GmbH
 Justus-von-Liebig-Str. 5
 66280 Sulzbach / Saar
 Tel.: 06897 / 509 -0
 Fax: 06897 / 509 -598
 Email: flutec@hydac.com

MODEL CODE

LD - C C E 16 D 6 2WR

Name LD-CCE= Control cover for 2/2- cartridge valve, Standard

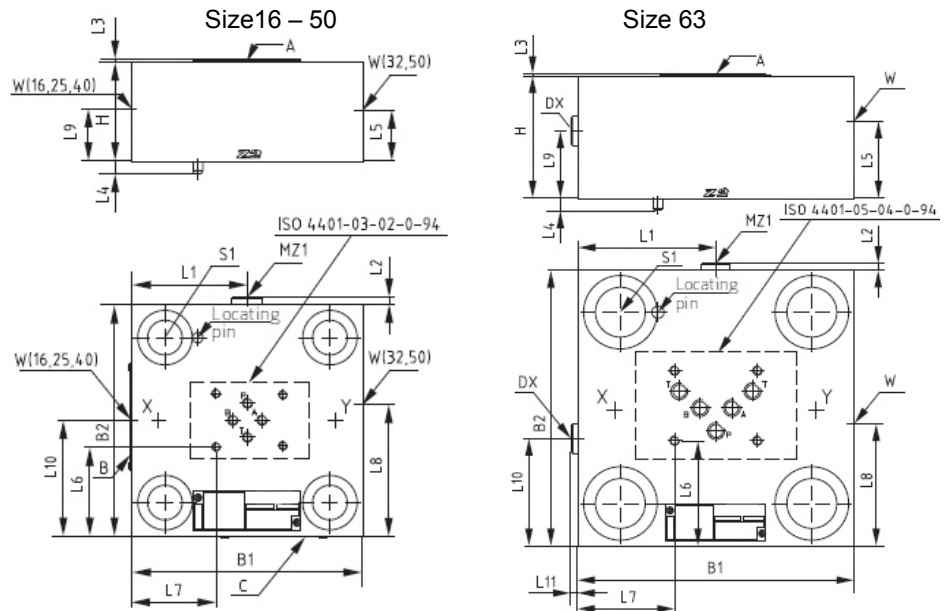
Nominal size NG 16, 25, 32, 40, 50, 63

Series named by manufacturer

Type Threads and control ports according to ISO 7368

Cover code 2WR = functional symbol

DIMENSIONS



Size	16	25	32	40	50	63
B1 [mm]	80	85	102	125	140	180
B2 [mm]	65	85	102	125	140	180
H [mm]	40	40	45	60	60	80
L1 [mm]	-	-	51	62,5	70	90
L2 [mm]	-	-	3,5	4,5	4,5	4,5
L3 [mm]	1,6	1,6	1,6	1,6	1,6	1,6
L4 [mm]	5	5,5	6	6	7,5	8
L5 [mm]	-	-	17,5	-	31	44
L6 [mm]	16,25	26,25	34,65	46,25	73	68,6
L7 [mm]	7	23,5	32	43,5	53,75	63
L8 [mm]	-	-	63	-	51	70
L9 [mm]	16,5	21	-	34,5	-	44
L10 [mm]	31,5	43,5	-	64	-	70
L11 [mm]	-	-	-	-	-	4,5
Nameplate on the side	C	C	B	C	A	A
Plug DX** + MZ1	-	-	G 1/8"	G 1/4"	G 1/4"	G 1/4"
Tightening torque [Nm]	-	-	12	27	27	27
Socket width across flats	-	-	5	6	6	6
Plug W	G 3/8"	G 3/8"	G 3/8"	G 3/8"	G 3/8"	G 3/4"
Tightening torque [Nm]	56	56	56	56	56	120
Socket width across flats	8	8	8	8	8	12
Shuttle valve under plug W	-	-	-	-	-	G 1/2"
Tightening torque [Nm]	-	-	-	-	-	40
Socket width across flats	-	-	-	-	-	10
S1* DIN EN ISO 4762 - 12.9	M8x35	M12x40	M16x50	M20x70	M20x70	M30x90
Tightening torque [Nm]	30	100	300	550	550	1800
Weight [kg]	1,5	2	3	6,2	8	16,5

*not part of the delivery, **may also be used as test port