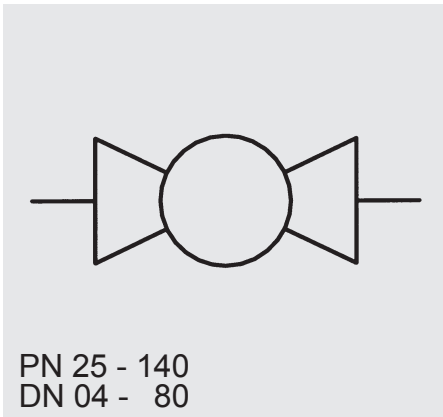


Stainless Steel Low Pressure Ball Valves

KHNVN / KHNVS



Model code
(also order example)

KHNVS **Rp** **1/2** **3333** **18** **X**

Designation

KHNVN – Low pressure ball valve - standard model
KHNVS – Low pressure ball valve - heavy duty model

Type of connection

Rp
G

Thread size

Materials

Housing
3 = Stainless steel (1.4408)

Ball, control spindle
3 = Stainless steel (1.4408)

Ball seals
3 = PTFE

Seals
3 = PTFE

Handle

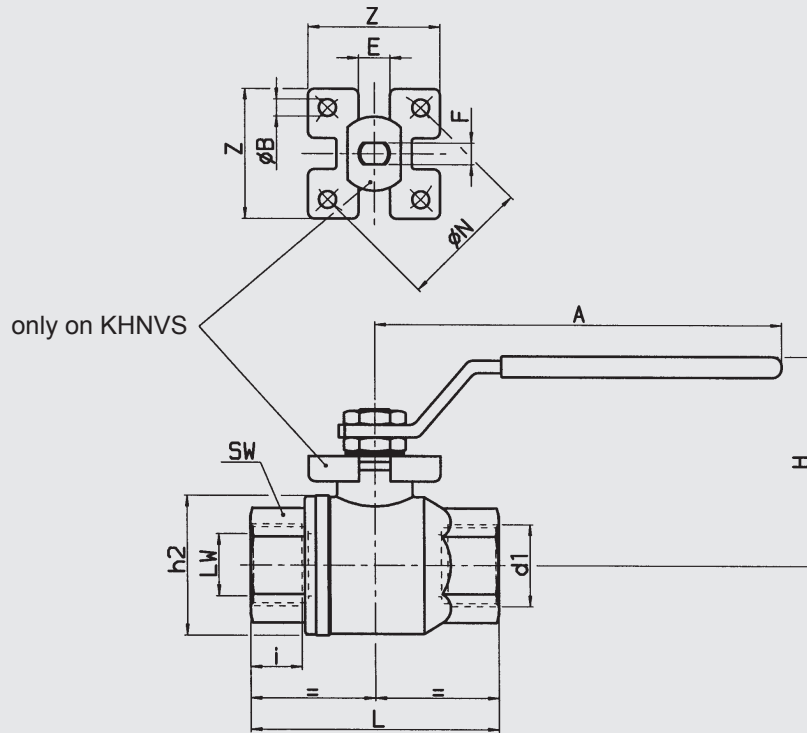
18 = Stainless steel handle, cranked, supplied fitted

Series

(determined by manufacturer)

Dimensions

KHNVN / KHNVS



Type	d1	Nominal bore DN	ØLW Int. diam.	PN [bar]	i	L	H	A	SW	Weight [kg]
KHNVN	G1/4	6	9.2	64	10	48.6	47.5	81	19	0.24
KHNVN	G3/8	10	12.5	64	12	52.5	52	87	22	0.25
KHNVN	G1/2	16	15	64	14.5	59	56.5	100	26	0.29
KHNVN	G3/4	20	20	64	16	65	58.5	100	32	0.44
KHNVN	G1	25	25	50	18	76	74	148	41	0.72
KHNVN	G1 1/4	32	32	50	20	90	78	148	50	1.20
KHNVN	G1 1/2	40	38	40	20	108	92	190	55	1.82
KHNVN	G2	50	50	40	22	122	103	190	70	2.74

Type	d1	Nominal bore DN	ØLW Int. diam.	PN [bar]	i	L	Øh2	H	A	SW	Weight [kg]
KHNVS	Rp1/8	04	8	140	7.4	55.5	30	50	111	22	0.25
KHNVS	Rp1/4	06	10	140	11	55.5	30	50	111	22	0.24
KHNVS	Rp3/8	10	10	140	11.4	55.5	30	50	111	22	0.22
KHNVS	Rp1/2	16	15	140	15	66	36	53	111	27	0.30
KHNVS	Rp3/4	20	20	105	16.3	79	45	68	132	32	0.50
KHNVS	Rp1	25	25	105	19.1	93	54	77	175	41	0.95
KHNVS	Rp1 1/4	32	32	64	21.4	100	64	83	175	50	1.30
KHNVS	Rp1 1/2	40	40	64	21.4	110	80	100	250	55	2.10
KHNVS	Rp2	50	50	64	25.7	131	95	108	250	70	3.30
KHNVS	Rp2 1/2	65	65	25	30.2	159	122	126	321	90	6.81
KHNVS	Rp3	80	80	25	33.3	185	144	137	321	105	10.20
KHNVS	Rp4	100	100	25	39.3	222	177	156	381	130	17.40

Type	d1	ØB	F	E	ØN	Z
KHNVS	Rp1/8	–	5	8	–	–
KHNVS	Rp1/4	5.5	5	8	36F03	36
KHNVS	Rp3/8	5.5	5	8	36F03	36
KHNVS	Rp1/2	5.5	5	8	36F03	36
KHNVS	Rp3/4	5.5	7	10	42F04	42
KHNVS	Rp1	5.5	8	12	42F04	42
KHNVS	Rp11/4	5.5	8	12	42F04	42
KHNVS	Rp11/2	6.5	10	16	50F05	50
KHNVS	Rp2	8.5	10	16	50F05	50

Technical specifications

Type of connection:	Whitworth female thread to ISO 228 (G) Whitworth female thread to DIN 2999 (Rp)
Mounting position:	Optional
Ambient temperature:	-20 °C to + 160 °C
Nominal pressure:	up to PN 140
Operating media:	Mineral oil to DIN 51524 part 1 + 2, gaseous media, compressed air, water other media on request
Temperature of operating media:	-20 °C to + 160 °C

Accessories:	All ball valves can be supplied with the following options: Actuator Limit switch Lock
---------------------	---

NOTE

The information in this brochure relates to the operating conditions and applications described.

For applications and operating conditions not described, please contact the relevant technical department.

Subject to technical modifications.

HYDAC Accessories GmbH
Hirschbachstr. 2
66280 Sulzbach/Saar
Tel.: +49 (0)6897 - 509-01
Fax: +49 (0)6897 - 509-1009
Internet: www.hydac.com
E-Mail: info@hydac.com

