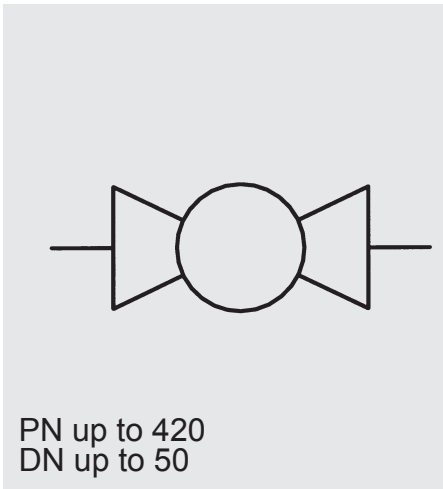
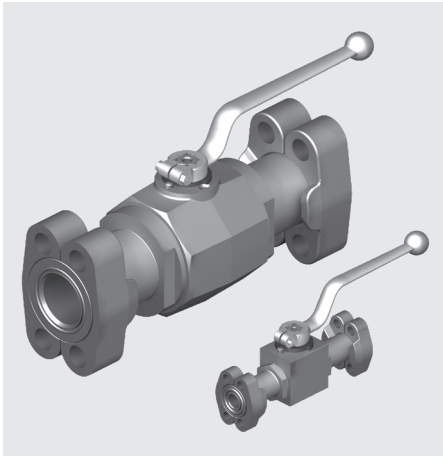


SAE Flanged Ball Valves

KHB-F3/6 / KHM-F3/6



Model code
(also order example)

KHB 20 F3 11141 02 X ...

Designation

KHB = Block-type ball valve DN 16-25
KHM = Sleeve type ball valve DN 32-50

Nominal bore

Type of SAE flange

F3 = 3000 PSI (210 bar)
F6 = 6000 PSI (420 bar)

Materials

Housing, connection adapters

1 = Steel
3 = Stainless steel

Ball, control spindle

1 = Steel
3 = Stainless steel

Ball seals

1 = POM

Control spindle seal and connection seal

2 = NBR
4 = FKM (Viton)

SAE split flange

1 = Steel
3 = Stainless steel

Handle

02 = Aluminium clamped handle, cranked
06 = Steel bolt-on handle, cranked
26 = Steel bolt-on handle, cranked, long (SW17)

Series

(determined by manufacturer)

Surface protection

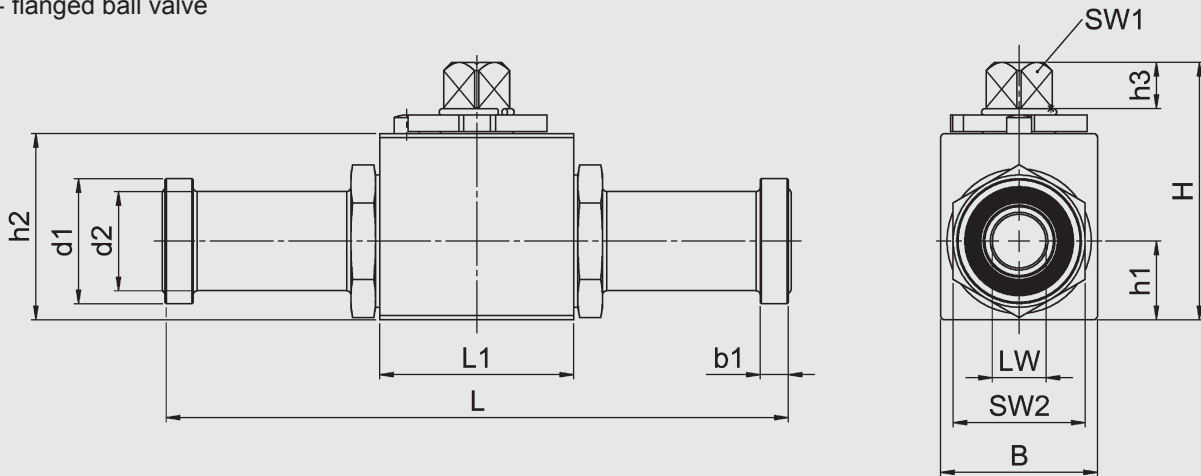
... = Phosphate-plated (no details required)
A = Zink-plated, chrome (VI)-free

Technical specifications

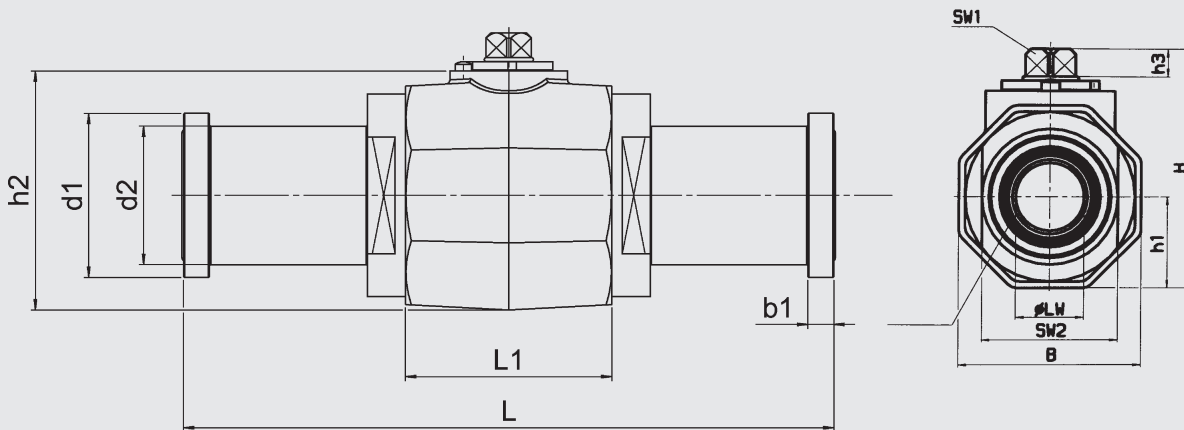
Type of construction:	Block type KHB DN 16 - 25 Sleeve type KHM DN 32 - 50
Flange dimensions:	ISO 6162, Table 1 and 2 (SAE J 518 c)
Flange connections:	SAE split flanges
Mounting position:	Optional
Ambient temperature steel:	-10 °C to +80 °C
Temperature range NIRO/POM/Viton:	-20 °C to +80 °C
Temperature range NIRO/POM/NBR:	-25 °C to +80 °C
Temperature range NIRO/POM/NBR TT:	-40 °C to +80 °C
Nominal pressure:	Up to PN 420 / 6000 PSI
Operating fluids:	Mineral oil to DIN 51524 part 1 and part 2 (other fluids on request)
Temperature of operating fluid:	-10 °C to +80 °C
Spare parts:	Seal kits available on request

Dimensions

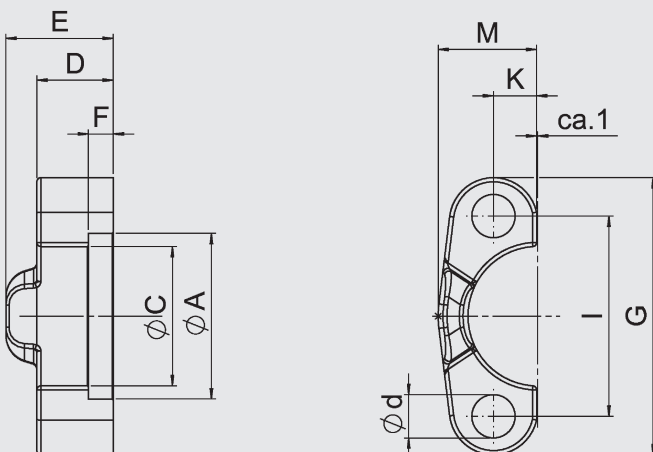
SAE - flanged ball valve
KHB



KHM



SAE split flanges



KHB / KHM – F3

Type	SAE size	DN	LW	L	L1	H	h1	h2	h3	B	b1	d1	d2	SW1	SW2	O-ring
KHB-16-F3	1/2"	16	13	151	47	62	20	46	11	38	6.8	30.2	24	12	32	18.66x3.53
KHB-16/20-F3	3/4"	16	16	170	47	62	20	46	11	38	6.8	38.1	31.5	12	32	25x3.53
KHB-20-F3	3/4"	20	19	170	60	75	24.5	57	11.6	48	6.8	38.1	31.5	14	41	25x3.53
KHB-25-F3	1"	25	25	176.5	65	82	28.5	64	11.6	57	8	44.45	38	14	50	32.92x3.53
KHM-32-F3	1 1/4"	32	30	191.4	83.4	105.2	40	86.7	12	80	8	50.8	43	17	60	37.7x3.53
KHM-40-F3	1 1/2"	40	38	231	91	116.2	45	97.7	12	90	8	60.35	50	17	70	47.22x3.53
KHM-50-F3	2"	50	48	234	100	134.2	55.5	115.7	12	111	9.6	71.4	62	17	80	56.74x3.53

KHB / KHM – F3 – XL

Type	SAE size	DN	LW	L	L1	H	h1	h2	h3	B	b1	d1	d2	SW1	SW2	O-ring
KHM-32-F3-XL	1 1/4"	32	30	274	83.4	105.2	40	86.7	12	80	8	50.8	43	17	60	37.7x3.53
KHM-40-F3-XL	1 1/2"	40	38	320	91	116.2	45	97.7	12	90	8	60.35	50	17	70	47.22x3.53
KHM-50-F3-XL	2"	50	48	323	100	134.2	55.5	115.7	12	111	9.6	71.4	62	17	80	56.74x3.53

SAE split flanges - F3

Type	A	C	D	E	F	M	K	I	G	d	Nominal pressure PN [bar]	Weight [kg]
KHB-16-F3	31	24.5	13	19	6.2	23	9	38.1	54	8.8	350	1.6
KHB-16/20-F3	38.9	32.1	14	22	6.2	26	11.1	47.6	65	10.5	350	1.6
KHB-20-F3	38.9	32.1	14	22	6.2	26	11.1	47.6	65	10.5	350	2.1
KHB-25-F3	45.2	38.5	16	22	7.5	29.2	13.1	52.4	70	10.5	350	2.8
KHM-32-F3	51.6	43.7	14	22	7.5	36.3	15.1	58.7	80	12	275	4.7
KHM-40-F3	61.1	50.8	16	24	7.5	41.1	17.9	69.9	94	13.5	210	6.9
KHM-50-F3	72.2	62.7	16	26	9	48.2	21.4	77.8	102	13.5	210	9.7

KHB / KHM – F6

Type	SAE size	DN	LW	L	L1	H	h1	h2	h3	B	b1	d1	d2	SW1	SW2	O-ring
KHB-16-F6	1/2"	16	13	151	47	62	20	46	11	38	7.8	31.8	24	12	32	18.66x3.53
KHB-16/20-F6	3/4"	16	16	170	47	62	20	46	11	38	8.8	41.3	32	12	32	25x3.53
KHB-20-F6	3/4"	20	19	170	60	75	24.5	57	11.6	48	8.8	41.3	32	14	46	25x3.53
KHB-25-F6	1"	25	25	198.5	65	82	28.5	64	11.6	57	9.5	47.6	38	14	50	32.92x3.53
KHM-32-F6	1 1/4"	32	30	223.4	83.4	105.2	40	86.7	12	80	10.3	54	44	17	60	37.7x3.53
KHM-40-F6	1 1/2"	40	38	281	91	116.2	45	97.7	12	90	12.6	63.5	51	17	70	47.22x3.53
KHM-50-F6	2"	50	48	315	100	134.2	55.5	115.7	12	111	12.6	79.4	67	17	80	56.74x3.53

KHB / KHM – F6 – XL

Type	SAE size	DN	LW	L	L1	H	h1	h2	h3	B	b1	d1	d2	SW1	SW2	O-ring
KHM-32-F6-XL	1 1/4"	32	30	322	83.4	105.2	40	86.7	12	80	10.3	54	44	17	60	37.7x3.53
KHM-40-F6-XL	1 1/2"	40	38	380	91	116.2	45	97.7	12	90	12.6	63.5	51	17	70	47.22x3.53
KHM-50-F6-XL	2"	50	48	385	100	134.2	55.5	115.7	12	111	12.6	79.4	67	17	80	56.74x3.53

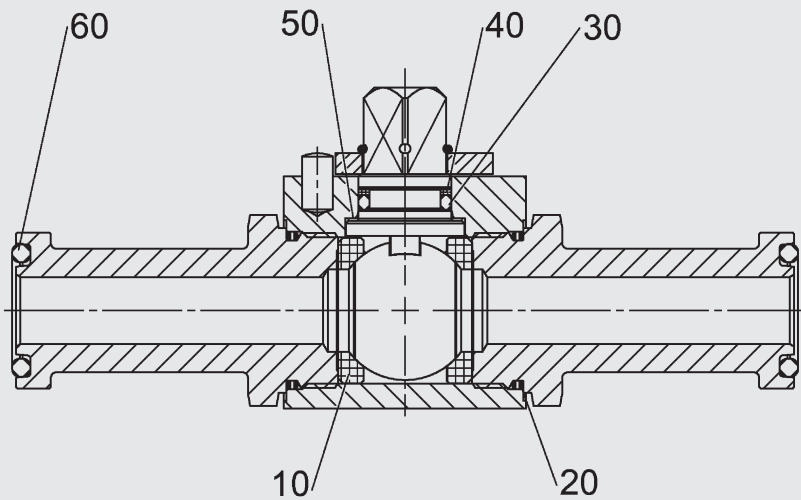
SAE split flanges - F6

Type	A	C	D	E	F	M	K	I	G	d	Nominal pressure PN [bar]	Weight [kg]
KHB-16-F6	32.5	24.6	16	22	7.2	23.6	9	40.5	56	8.8	420	1.9
KHB-16/20-F6	42	32.5	19	28	8.3	30	11.9	50.8	72	10.5	420	1.9
KHB-20-F6	42	32.5	19	28	8.3	30	11.9	50.8	72	10.5	420	2.5
KHB-25-F6	48.4	38.9	24	32	9	35	13.9	57.2	81	13	420	3.5
KHM-32-F6	54.8	44.5	27	38	9.8	39	15.9	66.7	96	15	420	6.4
KHM-40-F6	64.3	51.6	30	42	12.1	48	18.3	79.4	113	17	420	9.7
KHM-50-F6	80.2	67.6	37	52	12.1	57	22.2	96.8	134	21	420	14.7

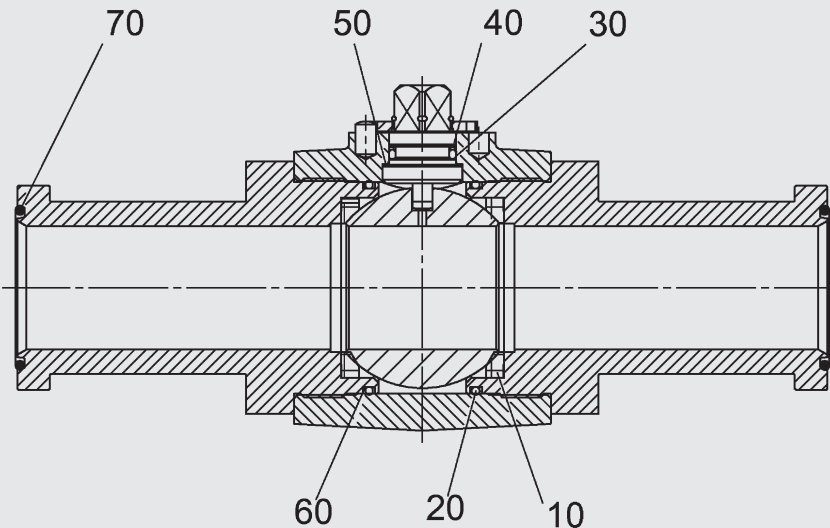
Spare Parts

(Seal kit)

KHB, DN 16 - 25



KHM, DN 32 - 50



Seal kit	Order No. = Part No.
DN 16	3046470
DN 16/20	554819
DN 20	703153
DN 25	703117
DN 32	703142
DN 40	703030
DN 50	703031

The parts indicated by numbers in the above drawing are contained in the seal kit.

NOTE

The information in this brochure relates to the operating conditions and applications described.

For applications and operating conditions not described, please contact the relevant technical department.

Subject to technical modifications.