

SAE Fixed Flange Ball Valves

KHF3

Model code
(also order example)

KHF3 65 1114 05 X A ...

Designation

KHF3 = Fixed flange ball valve DN 65 - 125

Nominal bore

Materials

Housing, housing flange

- 1 = Steel
- 3 = Stainless steel
- 5 = Structural steel ST 52-3

Ball, control spindle

- 1 = Steel
- 3 = Stainless steel

Ball seal

- 1 = POM (polyacetal)

Soft seal

- 4 = FKM (Viton)

(other materials on request)

Handle

- 05 = Steel bolt-on handle, straight

Series

(determined by manufacturer)

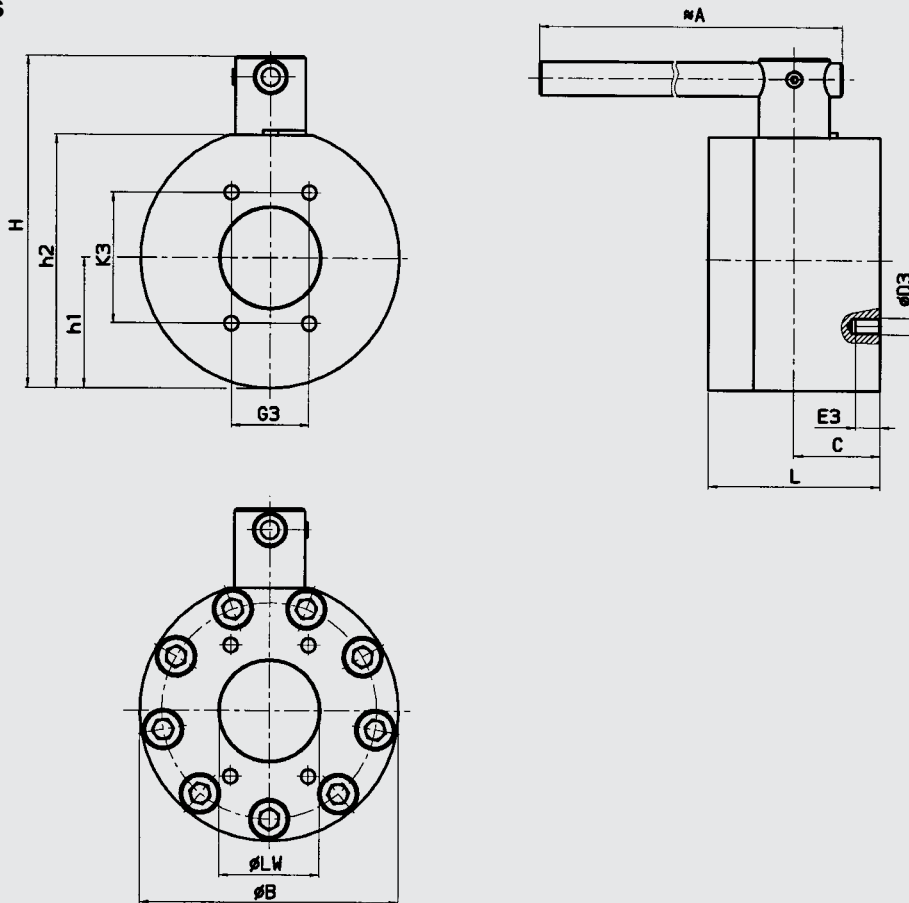
Surface protection

- ... = Phosphate-plated (no details required)
- A = Zinc-plated, chrome (VI)-free

Version

- ... = Metric connection thread (no details required)
- UNC = UNC connection thread

Dimensions KHF3



Connection type			Housing dimensions							PN [bar]	Weight [kg]	
	DN	SAE size	LW	L	C	H	h1	h2	B			A
Fixed flange ISO 6162 table 1 (SAE J 518 c) SAE - F3	65	2 1/2"	63	150	75	274	99	193	198	800	160	33.3
	80	3"	76	140	70	290	105	209	210	800	100	40.0
	100	4"	100	170	85	332	129	251	258	800	35	59.5
	125	5"	118	210	105	380	147.5	287.5	295	900	35	65.0

DN	SAE Size	Connection dimensions - metric				Connection dimensions - UNC			
		K3	G3	D3	E3	K3	G3	D3	E3
65	2 1/2"	88.9	50.8	M12	20	88.9	50.8	1/2-13 UNC	20
80	3"	106.4	61.9	M16	24	106.4	61.9	5/8-11 UNC	24
100	4"	130.2	77.8	M16	24	130.2	77.8	5/8-11 UNC	24
125	5"	152.4	92.1	M16	30	132.4	92.1	5/8-11 UNC	30

Technical specifications

Mounting position: Optional

Ambient temperature: -10 °C to +80 °C

Nominal pressure: Up to PN 160 (see pressure range)

Operating fluids: Mineral oil to DIN 51524 Part 1 and Part 2 (other fluids on request)

Temperature of operating fluid: -10 °C to +80 °C

Spare Parts Seal kits available on request

Accessories: All ball valves can be supplied with the following options: Actuator
Limit switch
Lock

NOTE

The information in this brochure relates to the operating conditions and applications described.

For applications and operating conditions not described, please contact the relevant technical department.

Subject to technical modifications.

HYDAC Accessories GmbH
Hirschbachstr. 2
66280 Sulzbach/Saar
Tel.: +49 (0)6897 - 509-01
Fax: +49 (0)6897 - 509-1009
Internet: www.hydac.com
E-Mail: info@hydac.com