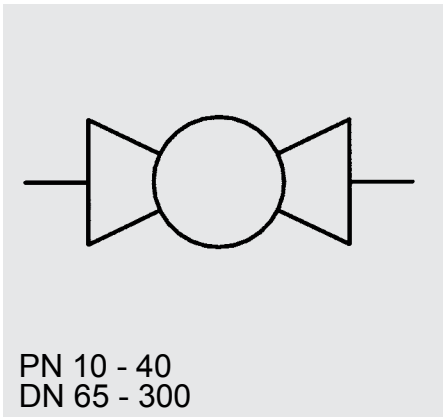


Flanged Ball Valves KHFF



Model code
(also order example)

KHFF 100 PN040 10333 06 X

Designation

KHFF = Flange ball valve DN 65 - 300 (short version - DIN EN 558-1 - series 27)
KHF = Flange ball valve DN 65 - 300 (long version - DIN EN 558-1 - series 1)

Nominal bore

Pressure range

Materials

Housing

3 = Stainless steel (1.4408)
10 = Cast steel (1.0619)

Ball

3 = Stainless steel (1.4408 / 1.4308)

Ball seal

3 = PTFE + 25% glass fibre reinforced

Stem seal

3 = PTFE

(other materials on request)

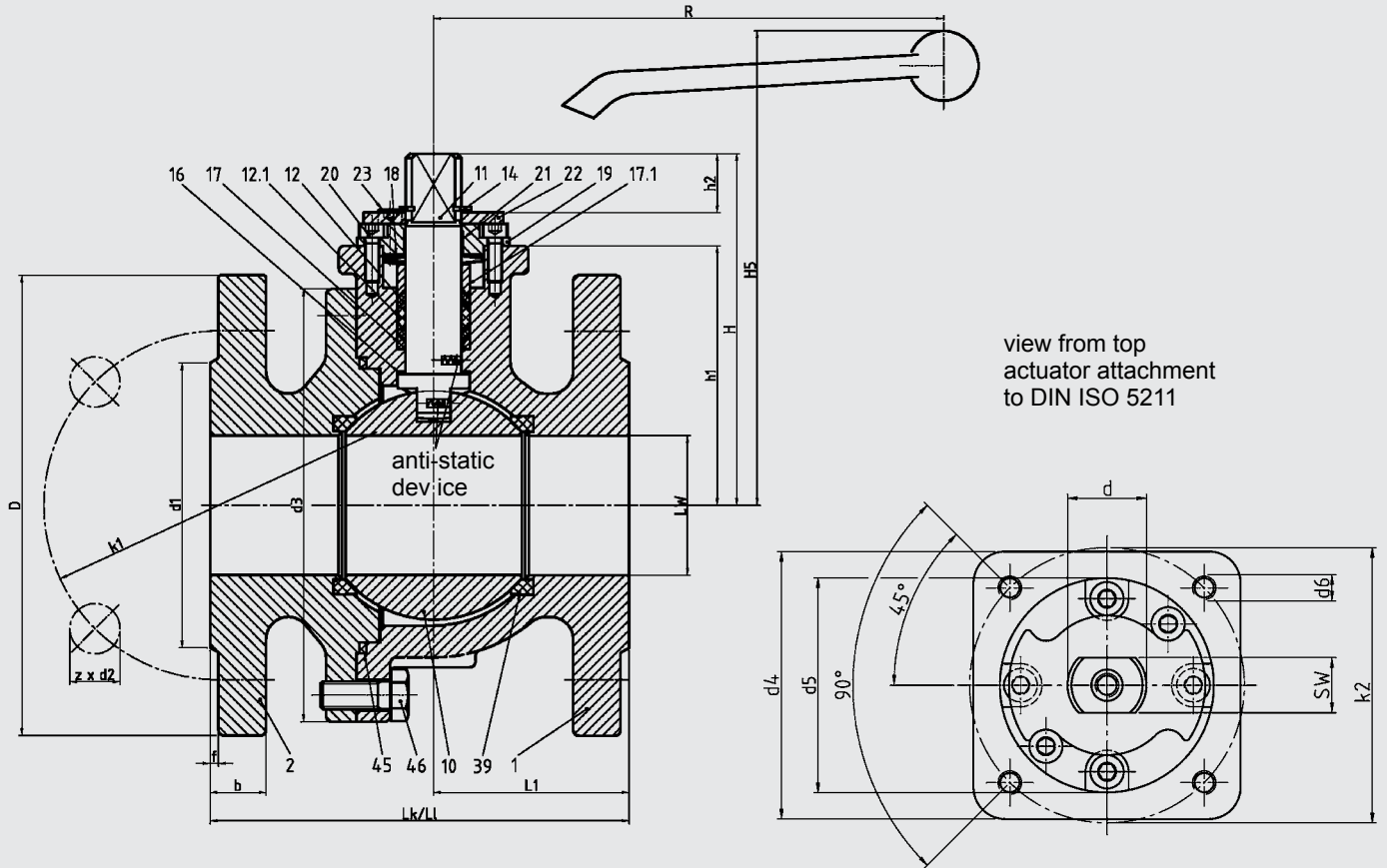
Handle

06 = Steel bolt-on handle, cranked

Series

(determined by manufacturer)

KHFF



Item	Description
1	Body 1
2	Body 2
10	Ball
11	Stem
12	Stem seal
12.1	Stem seal
14	Safety ring
16	Thrust ring
17	Ring
17.1	Gland
18	Belleville-type washer
19	Cover
20	Socket head screw
21	Bearing strip
22	Stop disc
23	Socket head screw
39	Ball seat ring
45	Body seal
46	Hexagon bolt

Dimensions

DN	PN	LW	L _k *	L _l *	L1	d3	H	H5	h1	h2	d	SW	k1	d1	d2	d4	d5	d6	k2	R	D	b	f	z	Wt. kg L _k *	Wt. kg L _l *	ISO 5211
65	40	65	170	290	80	190	150	195	115	18	20	14	145	122	18	96	70	M10	102	215	185	22	8	2	20	21.5	F10
80	40	80	180	310	86	208	161	211	124	20	25	19.3	160	138											25	27.5	
100	40	100	190	350	94.5	242	178	228	141				190	162	22	235	24	33.5	37.5								
125	16	125	325	400	162.5	290	265	270	222	30	35	25.5	210	188	18	150	85	M12	125	635	250	22	8	2	67	72	F12
125	40												220	26											270	26	
150	16	150	350	480	175	327	297.5	301	242.5	41.5	44	32	240	212	22	150	85	M12	125	800	285	22	8	2	100	106	
150	40												250	26											300	28	106
200	10	200	400	600	200	400	335	338	280	41.5	44	32	295	268	22	150	85	M12	125	800	340	26	8	2	161	173	F12
200	16												310	26											360	30	
200	25	200	400	600	200	400	335	338	280	41.5	44	32	320	285	30	150	85	M12	125	800	375	34	8	2	172	184	
200	40												350	26											375	34	172
250	10	250	450	-	225	492	390	-	330	51	48	36	350	320	22	175	100	M16	140	-	395	26	12	16	255	-	F14
250	16												355	26											405		
250	25	250	450	-	225	492	390	-	330	51	48	36	370	335	30	175	100	M16	140	-	425	32	12	16	272		
250	40												385	33											450	38	292
300	10	300	500	-	250	575	425	-	365	51	48	36	400	370	22	175	100	M16	140	-	445	26	12	16	339	-	F14
300	16												410	26											460		
300	25	300	500	-	250	575	425	-	365	51	48	36	430	395	30	175	100	M16	140	-	485	34	12	16	355		
300	40												450	33											515	42	380

* L_k = short version - DIN EN 558-1 - series 27

* L_l = long version - DIN EN 558-1 - series 1

Technical specifications

Flange connections:	DIN EN 1092 - 1 : 2000, DN 65 - DN 300, PN 10 - PN 40
Raised face:	DIN EN 1092 - 1 : 2000 Form B1 (others on request)
Face-to-face:	DIN EN 558- 1 Series 27 (F4/F5), DIN EN 558- 1 Series 1 (F1)
Stem seal:	PTFE or graphite stuffing box, supported by Belleville-type washer. Belleville-type washers are completely enclosed and protected against ingress of dirt.
Operation:	By stem on two flats according to NAMUR recommendation.
Top flange:	DIN ISO 5211 for hand-operation by worm gear, pneumatic, electric or hydraulic actuator.
Test certificates:	EN 10204 2.2 or 3.1 B/C/A
Certification according to:	PED 97/23/EC Manufactured to AD-2000 TA - Luft 2002 (Technical Instructions on Air Quality Control) Fire - safe BS 6755, part 2 (DN 65 - DN 100) DIN DVGW Reg. no. NG-4313AP1147 (German Technical and Scientific Association for Gas and Water) DIN EN ISO 9001 - TÜV CERT -
Accessories:	Stem extension, locking and positioning device, heating jackets and high quality sensors. (additional equipment on request)
Temperature range:	-50 °C to + 230 °C, depending on ball seals.
Application:	Neutral gases and fluids, mineral oil products, alkalis, corrosive fluids and gases.

NOTE

The information in this brochure relates to the operating conditions and applications described.

For applications and operating conditions not described, please contact the relevant technical department.

Subject to technical modifications.

HYDAC Accessories GmbH
Hirschbachstr. 2
66280 Sulzbach/Saar
Tel.: +49 (0)6897 - 509-01
Fax: +49 (0)6897 - 509-1009
Internet: www.hydac.com
E-Mail: info@hydac.com

