

Ultra-High Pressure Ball Valve KHBH / KHMH

Model code
(also order example)

KHBH 16 NPT 1114 04 X A

Designation

KHBH = Ultra-high pressure block ball valve
KHMH = Ultra-high pressure sleeve ball valve

Nominal bore
(DN)

Type of connection

NPT = NPT - ANSI B1.20.1
SR = SR - DIN 2353

Materials

Housing, connection adapters

1 = Steel
3 = Stainless steel

Ball, control spindle

1 = Steel
3 = Stainless steel

Sealing cups

1 = POM

Control spindle seal and connection seal

2 = NBR (Perbunan)
4 = FKM (Viton)

Handle

03 = Zinc die-casting clamped handle, straight DN 04 - 13
04 = Zinc die-casting bolt-on handle, cranked DN 20 - 25

Series

(determined by manufacturer)

Surface protection

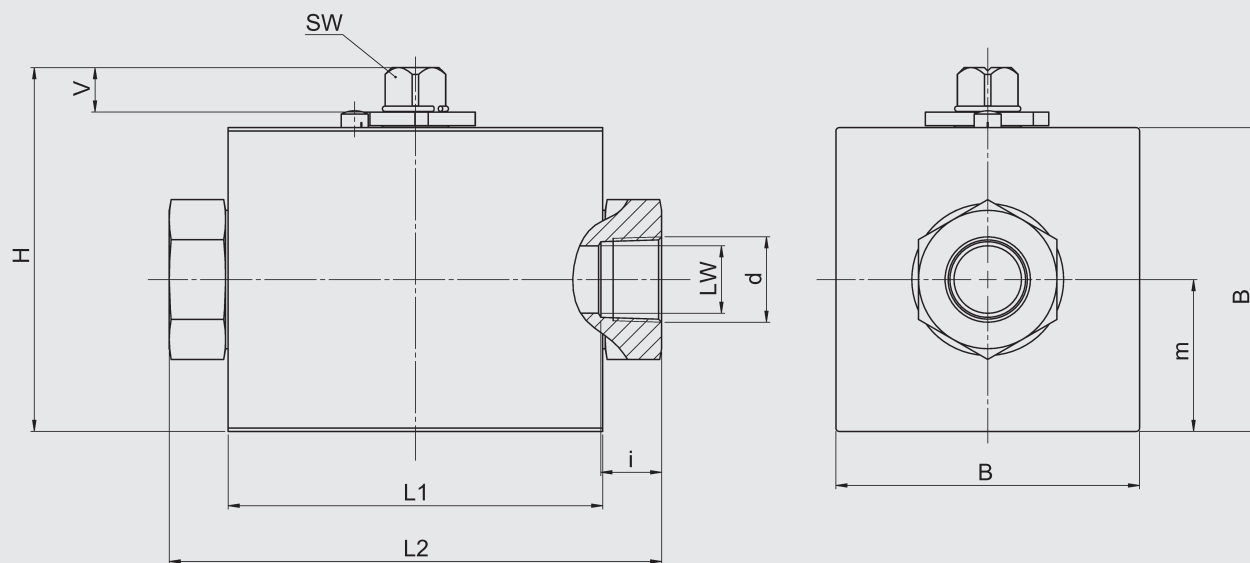
A = Zinc-plated, chrome (VI)-free

Technical specifications

Type of construction:	Block type KHBH DN 04 - 25 Sleeve type KHMH DN 04 - 25, stainless steel (on request)
Types of connection:	Heavy threaded pipe connection to DIN 2353 NP ANSI B1.20.1
Mounting position:	Optional
Ambient temperature:	-10 °C to +80 °C
Nominal pressure:	PN 800
Operating fluids:	Mineral oil to DIN 51524 part 1 and part 2
Temperature of operating fluid:	-20 °C to +100 °C
Viscosity range:	10 to 380 mm ² /s

Dimensions

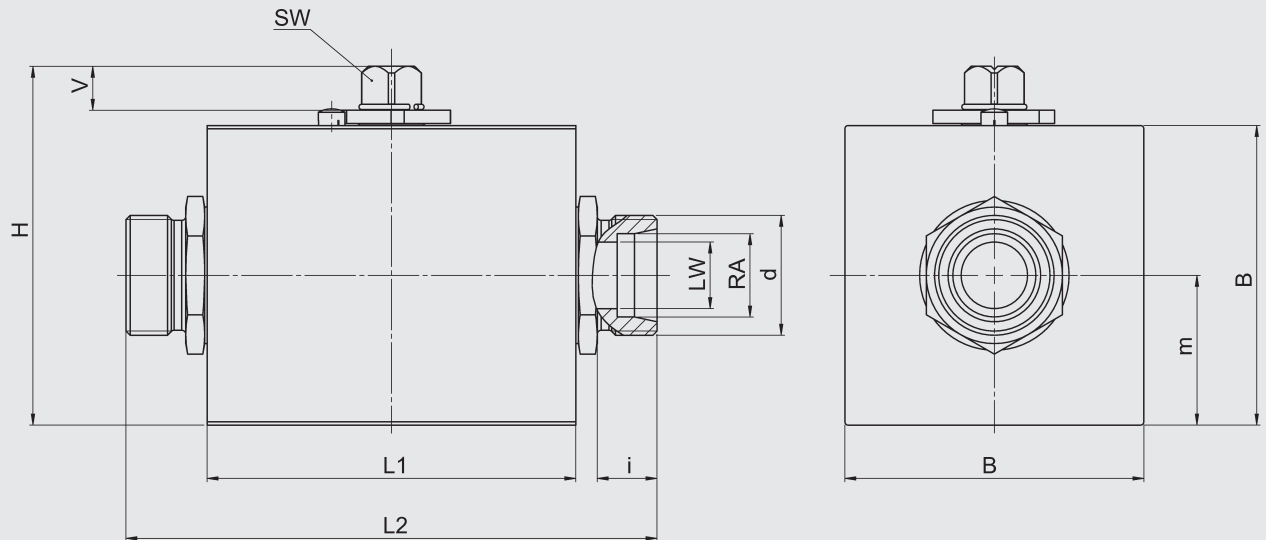
NPT ANSI B1.20.1



Type	DN	LW	L1	L2	B	H	m	V	SW	i	d
KHBH 06 NPT	6	6	76	130	50	64	25	11	9	13.7	1/4 NPT
KHBH 10 NPT	10	13	76	130	50	64	25	11	9	13.5	3/8 NPT
KHBH 16 NPT	13	13	76	130	50	64	25	11	9	17	1/2 NPT
KHBH 20 NPT	20	20	111	161	90	108	45	14	14	18.3	3/4 NPT
KHBH 25 NPT	25	25	111	164	90	108	45	14	14	21.6	1 NPT

Dimensions

DIN 2353 heavy range



Type	DN	RA	LW	L1	L2	B	H	m	V	SW	i	d
KHBH-08SR	4	8	5	76	110	50	64	25	11	9	12	M16x1.5
KHBH-10SR	6	10	6	76	114	50	64	25	11	9	12	M18x1.5
KHBH-12SR	8	12	8	76	114	50	64	25	11	9	12	M20x1.5
KHBH-14SR	10	14	13	76	114	50	64	25	11	9	14	M22x1.5
KHBH-16SR	13	16	13	76	114	50	64	25	11	9	14	M24x1.5
KHBH-20SR	13	20	13	76	118	50	64	25	11	9	16	M30x2
KHBH-25SR	20	25	20	111	162	90	108	45	14	14	18	M36x2
KHBH-30SR	25	30	25	111	166	90	108	45	14	14	20	M42x2

NOTE

The information in this brochure relates to the operating conditions and applications described.

For applications and operating conditions not described, please contact the relevant technical department.

Subject to technical modifications.

HYDAC Accessories GmbH
Hirschbachstr. 2
66280 Sulzbach/Saar
Tel.: +49 (0)6897 - 509-01
Fax: +49 (0)6897 - 509-1009
Internet: www.hydac.com
E-Mail: info@hydac.com

