

ISO - Flanged Ball Valve

KHF

Model code

(also example order)

KHF 100 ISO400 DN80 5314 05 X A

Designation

KHF = Fixed flange ball valve

Size

Type of connection

ISO 400 = ISO6164, p_{max} 400 bar

ISO 250/400 = ISO6164, p_{max} 250/400 bar

Nominal bore

(DN)

Materials

Housing, housing flange

5 = Steel

Ball, control spindle

3 = Stainless steel

Ball seal

1 = POM

Control spindle seal and connection seal

4 = FKM (Viton)

Handle

05 = Steel bolt-on handle, straight

Series

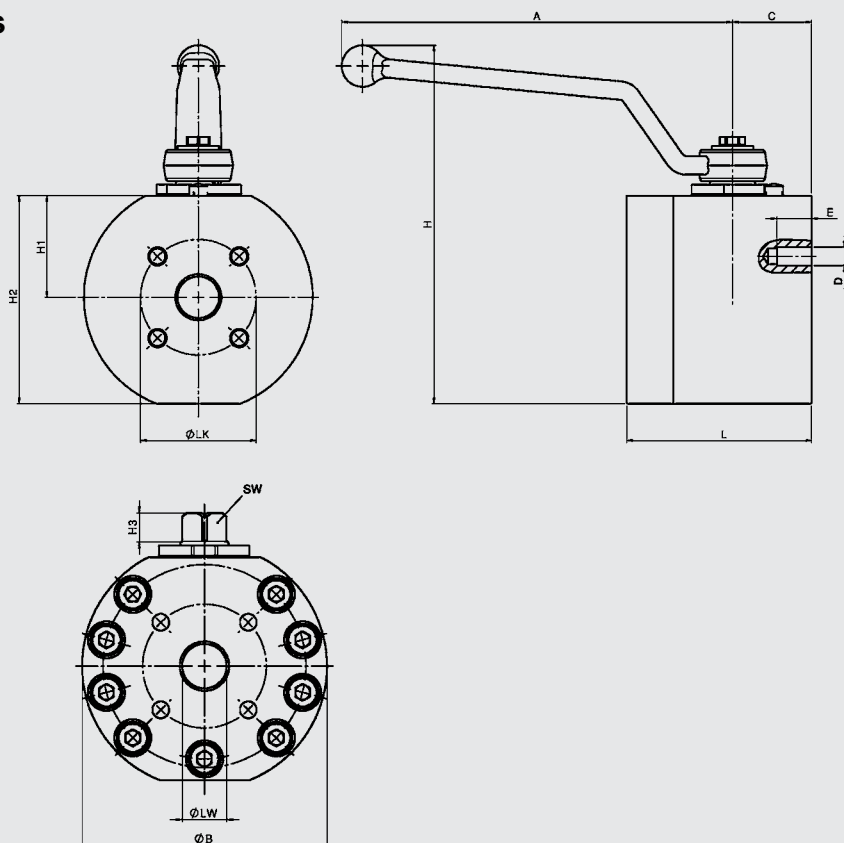
(determined by manufacturer)

Surface protection

A = Zinc-plated, chrome (VI)-free

Dimensions

DIN ISO 6164
Size 16 - 50



Type	DN	LW	L	C	H	h1	h2	h3	ØB	SW1	A
KHF 016	13	14	75	32.5	137	34.0	71.5	11	79	12	169
KHF 020	19	18	80	34.3	155	44.0	90.0	11	99	14	169
KHF 025	25	22	88	38.0	167	46.8	102.0	11	119	14	169
KHF 032	32	29	100	44.0	220	59.0	124.0	12	139	17	306
KHF 040	38	35	110	51.0	240	65.0	145.0	12	169	17	306
KHF 050	51	43	116	54.0	252	72.6	156.6	12	179	17	306

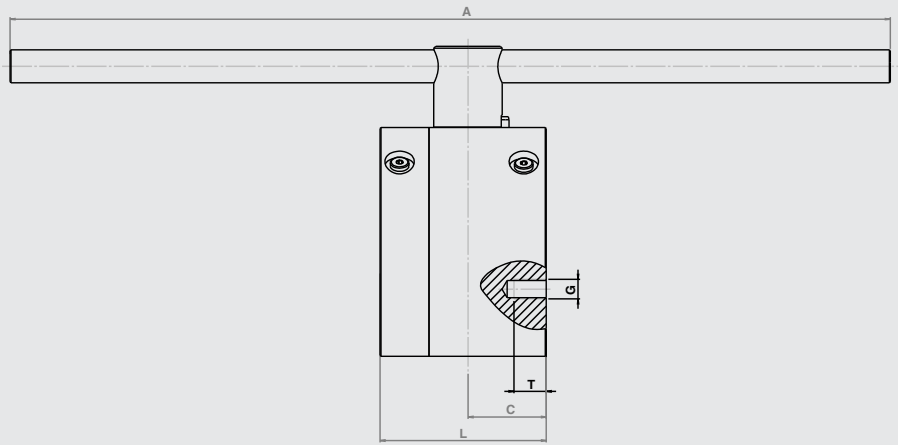
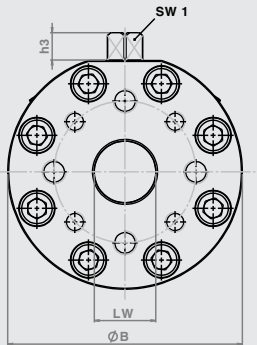
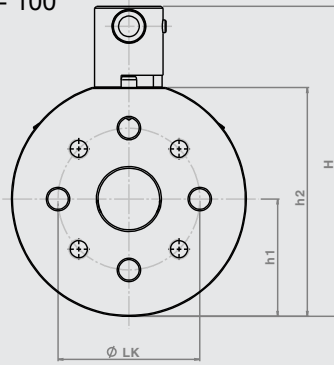
Flange dimensions

Connection type	Typ	DN	PN	LK	D	E
Fixed flange connection ISO 6164	KHF 016	13	250 / 400	42	M8	16
	KHF 020	19	250 / 400	50	M8	15
	KHF 025	25	250 / 400	62	M10	17
	KHF 032	32	250 / 400	73	M12	22
	KHF 040	38	250 / 400	85	M16	26
	KHF 050	51	250 / 400	98	M16	27

Dimensions

DIN ISO 6164

Size 65 - 100



Type	DN	LW	L	C	H	h1	h2	h3	ØB	SW1	A
KHF 065	56	58	170	80	276	99	193	27.9	198	27	900
KHF 080	63	63	170	80	317	120	234	27.9	240	27	900
KHF 100	80	76	170	80	336.5	129	253	27.9	258	27	900

Flange dimensions

Connection type	Type	DN	PN	ØLK	G	T
Fixed flange connection ISO 6164	KHF-065	56	250	118	M20	33
			400	118	M20	33
	KHF-080	63	250	145	M20	33
			400	145	M24	38
	KHF-100	80	400	175	M30	47

Technical specifications

Connections:	Fixed flange to ISO 6164
Mounting position:	Optional
Housing material:	Steel, zinc-plated
Ambient temperature range:	-10 °C to +80 °C
Operating fluid:	Hydraulic oil to DIN 51524 Part 1 and 2
Temperature of operating fluid:	-10 °C to +80 °C
Viscosity range:	10 to 380 mm ² /s
Max. operating pressure	400 bar
Spare parts:	Seal kits available on request
Accessories:	All ball valves can be supplied with the following options: Bypass Actuator Limit controls Lock

NOTE

The information in this brochure relates to the operating conditions and applications described.

For applications and operating conditions not described, please contact the relevant technical department.

Subject to technical modifications.

HYDAC Accessories GmbH
Hirschbachstr. 2
66280 Sulzbach/Saar
Tel.: +49 (0)6897 - 509-01
Fax: +49 (0)6897 - 509-1009
Internet: www.hydac.com
E-Mail: info@hydac.com