

PN 420
DN to 50

Direct Flange Ball Valve KHZF3 / KHZF6

Model code
(also order example)

KHZF6 16 1112 16 X A

Designation

KHZF3 = Direct flange ball valve 3000 psi
KHZF6 = Direct flange ball valve 6000 psi

Nominal size

Materials

Housing, connection adapters

1 = Steel
5 = Steel, ST52-3

Ball, control spindle

1 = Steel

Sealing cups

1 = POM

Control spindle seal und connection seal

2 = NBR

Handle

16 = steel handle, bolt-on, cranked, fitted

Series ID

(specified by manufacturer)

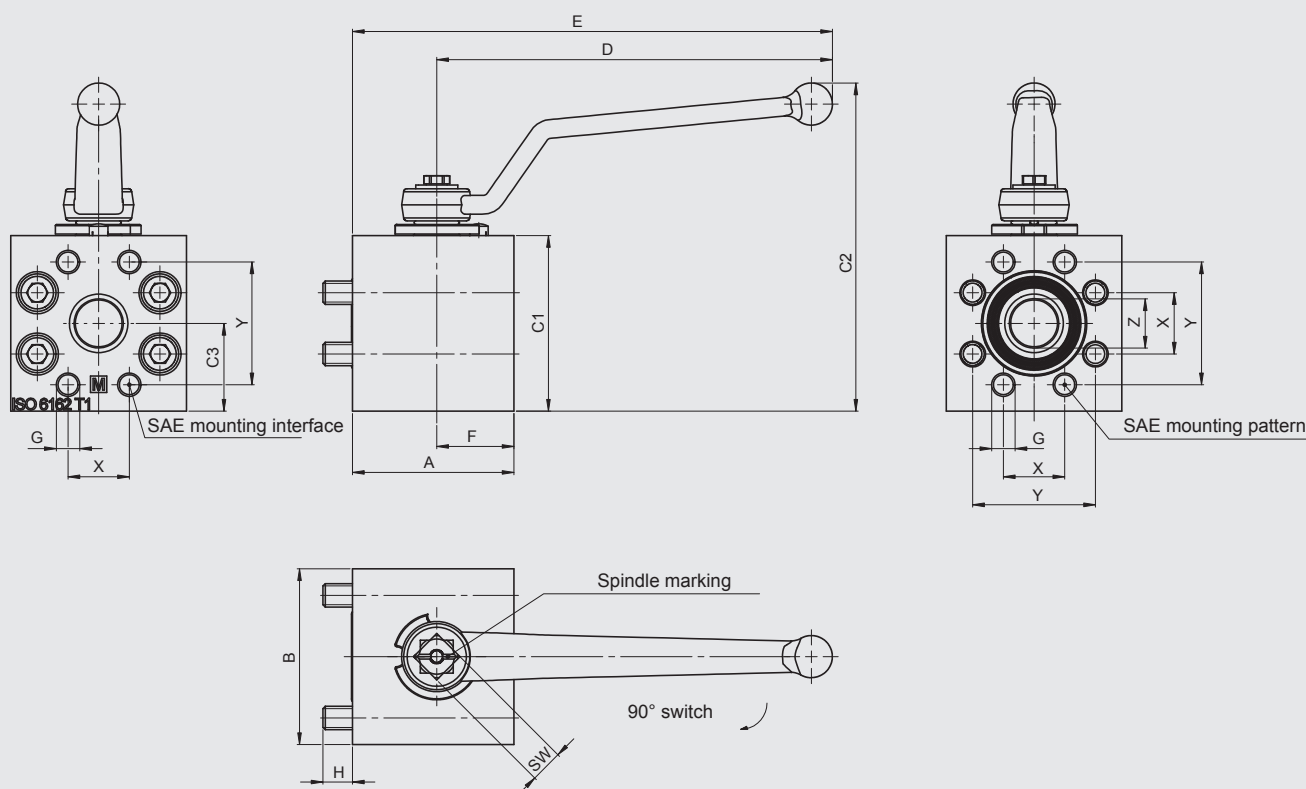
Surface protection

A = zinc-plated, (chrome VI-free)

Technical specifications

Types of connection:	SAE fixed flanges to ISO 6162, Table 1 and 2 (SAE J 518c)
Installation:	In any position
Ambient temperature:	-10 °C to +80 °C
Nominal pressure:	to PN 420
Operating fluids:	Mineral oil to DIN 51524 Part 1 and Part 2 (other fluids on request)
Temperature of operating fluid:	-10 °C to +80 °C
Spare parts:	Seal kits available on request
Accessories:	All ball valves can be supplied with the following options: Limit controls Lock

Dimensions



Type	A	B	C1	C2	C3	D	E	F	G	H	X	Y	ØZ	SW	PN	
	[mm]	[mm]	[mm]	[mm]	[mm]	[mm]	[mm]	[mm]		[mm]	[mm]	[mm]	[mm]	[mm]	bar	psi
KHZF3-16	59	60	60	125.1	26	169	198.5	29.5	M8x12	12	17.5	38.1	13	12	350	5000
KHZF3-20	68	70	70	135	32.5	169	205	32	M10x15	13.6	22.3	47.6	19	14	350	5000
KHZF3-25	69	75	75	140	37.5	169	205	33	M10x15	12.6	26.2	52.4	21	14	350	5000
KHZF3-32	81	85	85	150	42.5	169	208	42	M10x20	14	30.2	58.7	25	14	275	4000
KHZF3-40	99	110	110	204	51	228	277.5	49.5	M12x21	14	35.7	69.9	30	17	210	3000
KHZF3-50	120	120	115	209	50	228	288	60	M12x24	13	42.9	77.8	38	17	210	3000
KHZF6-16	65	60	65	130.1	31	169	201.5	32.5	M8x16	13.5	18.2	40.5	13	12	420	6000
KHZF6-20	71	75	75	140	37.5	169	205	35	M10x18	15	23.8	50.8	19	14	420	6000
KHZF6-25	81	85	85	150	42.5	169	208	42	M12x23	18	27.8	57.2	25	14	420	6000
KHZF6-32	81	100	100	165	49.5	169	208	42	M14x25	19	31.8	66.6	25	14	420	6000
KHZF6-40	99	120	119	213	60	228	278	49	M16x27	19	36.5	79.3	30	17	420	6000
KHZF6-50	120	140	140	234	70	228	288	60	M20x35	31.5	44.5	96.8	38	17	420	6000

NOTE

The information in this brochure relates to the operating conditions and applications described.

For applications or operating conditions not described, please contact the relevant technical department.

Subject to technical modifications.

HYDAC Accessories GmbH

Hirschbachstr. 2

66280 Sulzbach/Saar

Tel.: +49 (0)6897 - 509-01

Fax: +49 (0)6897 - 509-1009

Internet: www.hydac.com

E-Mail: info@hydac.com