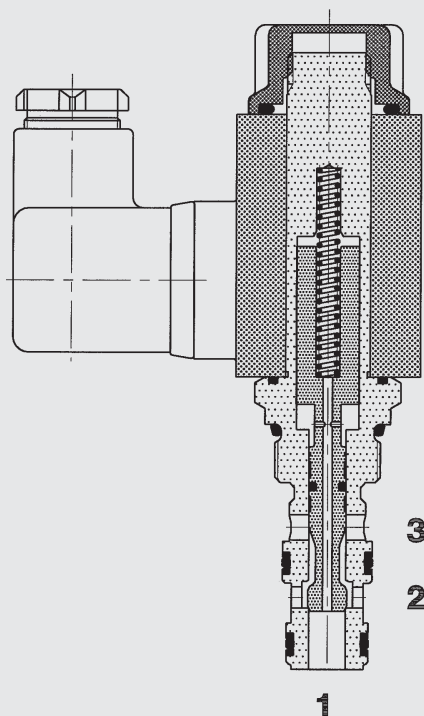


up to 20 l/min  
up to 350 bar

## FUNCTION



When the solenoid coil is not energized, port 1 is closed. There is free flow through the valve from port 2 to port 3.  
When the solenoid coil is energized port 3 is closed. There is free flow through the valve from port 1 to port 2.

## 3/2 directional seat valve direct operated cartridge valve – 350 bar

WSEC08130-04

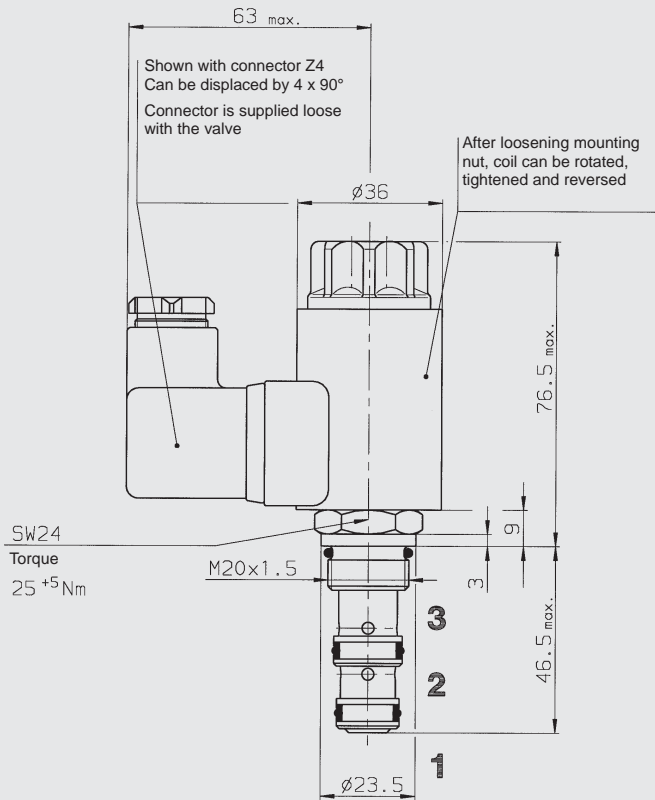
### GENERAL

- Long life and low noise level due to oil-immersed solenoid armature
- Electro-magnetic actuation available in all standard international DC and AC voltages and many electrical connection types available.
- Minimal wear and long life due to hardened and ground control elements.
- In the closed position the flow paths are shut off by means of a cone seat.
- Solenoid coils can be rotated through 360° and exchanged without opening the hydraulic system.
- Compact construction enables space-saving installation in connection housings and control blocks.

### SPECIFICATIONS

Operating pressure:	max. 350 bar
Flow rate:	max. 20 l/min
Internal leakage:	leakage-free (less than 3 drops/min at 350 bar)
Temperature range of operating fluid:	-20 °C to +80 °C
Ambient temperature range:	-20 °C to +40 °C
Type of voltage:	DC solenoid, AC voltage is rectified using bridge rectifier connector
Current draw at 20 °C:	2 A at 12 V DC 1.04 A at 24 V DC 0.125 A at 230 V AC (rectified using bridge rectifier connector)
Voltage tolerance:	-5% to +10%
Switch-on time:	100% (continuous)
Switching time:	approx. 30 to 50 ms (depending on pressure and flow rate)
Operating fluid:	hydraulic oil to DIN 51524 Part 1 and 2
Viscosity range:	10 mm <sup>2</sup> /s to 380 mm <sup>2</sup> /s is recommended
Filtration:	max. permissible contamination level of the operating fluid to ISO 4406 Class 21/19/16 or cleaner
Mounting position:	optional
Materials:	valve body: high tensile steel closing elements: hardened and ground steel seals: FPM and PTFE
Installation dimensions:	08130
Mass:	0.45 kg (complete with solenoid coil)

## DIMENSIONS



## MODEL CODE

**WSE C 08130 - 04 X - G 24 -Z4**

**Designation** \_\_\_\_\_  
Directional seat valve, electr. actuated

**Function code** \_\_\_\_\_

**Cavity** \_\_\_\_\_  
08130 = 3 way cavity

**Type** \_\_\_\_\_  
04 = standard model

**Series** \_\_\_\_\_  
determined by manufacturer

**Type of voltage for actuating solenoid** \_\_\_\_\_  
G = DC voltage  
W = AC voltage (connector with bridge rectifier)

**Nominal voltage for actuating solenoid** \_\_\_\_\_  
12 = 12 Volt  
24 = 24 Volt  
230 = 230 Volt 50/60 Hz AC (for voltage type W)  
other voltages on request

**Electrical connection types of actuating solenoids** \_\_\_\_\_  
Omission = with plug to DIN 43650  
T = with 2-pole AMP Junior timer plug  
for nominal voltages up to 48 VDC  
L = with flying leads, 110 mm long  
0.75 mm<sup>2</sup> cable cross section  
for nominal voltages up to 48 VDC

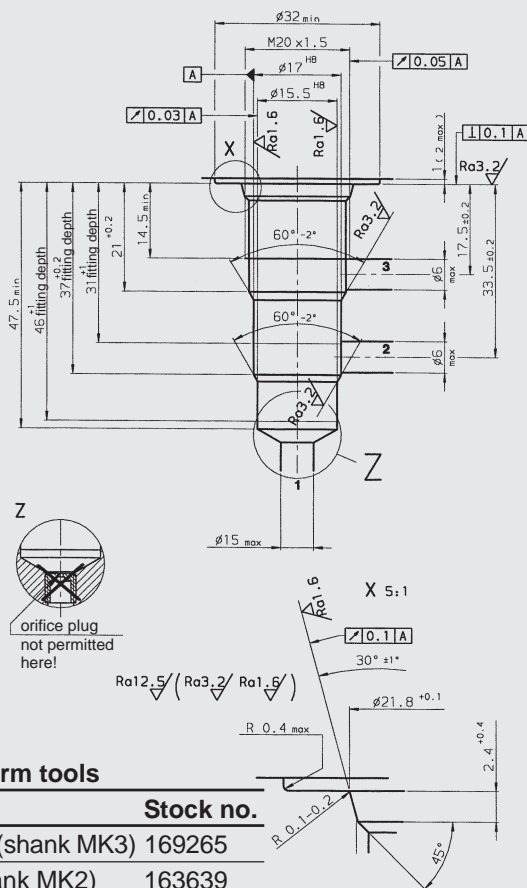
**Connectors for the electrical connection** \_\_\_\_\_  
Omission = without connector  
Z4 = connector to DIN 43650-AF2-PG11  
Z5 = large connector

## Standard models

Model code	Stock no.
WSEC08130-04X-G24-Z4	479710
WSEC08130-04X-W230-Z4	551154

## CAVITY

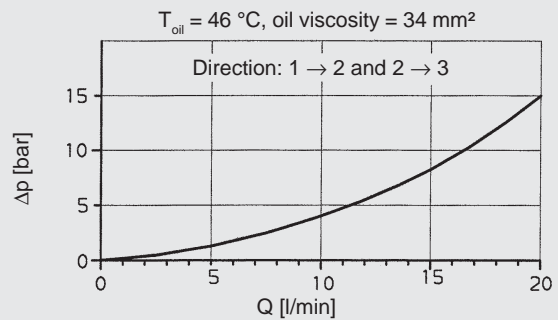
08130



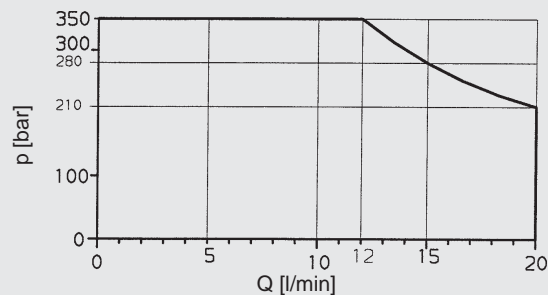
## Cartridge form tools

Tool	Stock no.
Countersink (shank MK3)	169265
Reamer (shank MK2)	163639

## PRESSURE DROP



## OPERATING LIMITS



## NOTE

The information in this brochure relates to the operating conditions and applications described. For applications or operating conditions not described, please contact the relevant technical department. Subject to technical modifications.

**HYDAC Fluidtechnik GmbH**  
Justus-von-Liebig-Str.  
**D-66280 Sulzbach/Saar**  
Tel: 0 68 97 /509-01  
Telefax: 0 68 97 /509-598  
E-Mail: flutec@hydac.com