

GENERAL DESCRIPTION

List: EDAR1211-1-Oct 2015



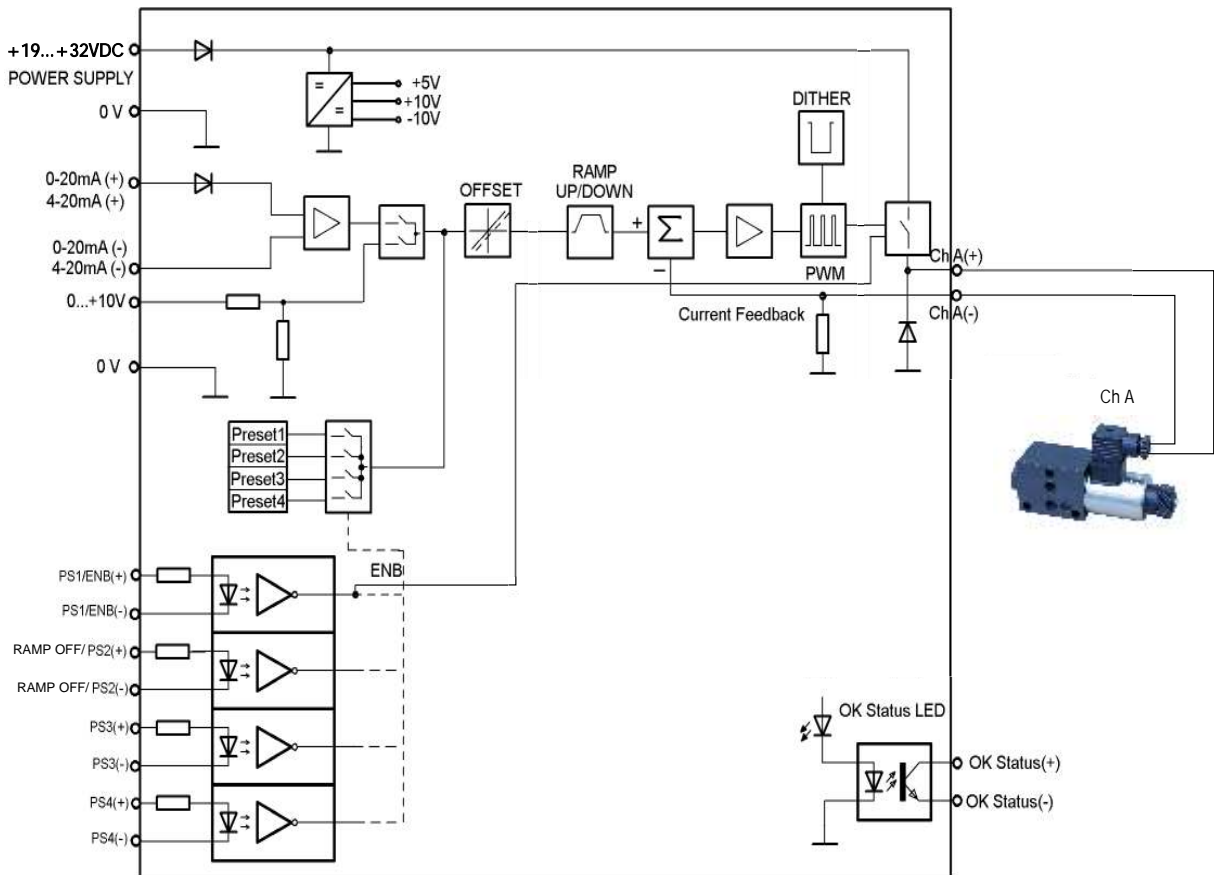
This digital amplifier EDAR 1211-1-25 is designed to control direct operated proportional directional control valves and proportional flow regulators with one solenoid without feedback.

There are few adjustments for base parameters:

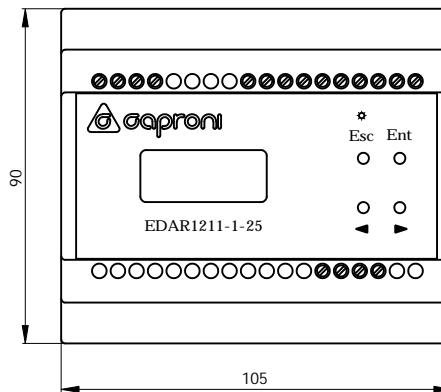
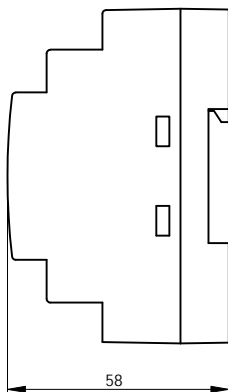
- Imax. to control the maximum current to the solenoid
- Imin. to correct the positive overlap (dead band elimination)
- Ramps to set increasing/decreasing time on channel "a"
- PWM to regulate hysteresis and stability (accuracy) of the valve -
 high frequency - high accuracy , high hysteresys
 low frequency - low accuracy , low hysteresys.

The adjustment sets realized by 4 push buttons on the front cover. The amplifier is designed for rail mounting type DIN EN 50022.

BLOCK DIAGRAM



DIMENSIONS



TECHNICAL DATA
GENERAL

DATA	UNIT	VALUE/RANGE
Power supply	V DC	24 (19...32)
Max. power consumption	W	35
Max. output current	A	2,7
Power supply polarity protection		
Output short-circuit protection		
Available reference signals	V	0... + 10
	mA	0...20
		4...20
		4 presets value selected by 4 discrete inputs
Ramps		Two ramps according to rising and falling reference signal
Ramps (duration)	sec	0,01...9,99
Opto insulated output signal - "OK"	mA V DC	$I_{max.} = 50$ $U_{max.} = 35$
Opto insulated input signal - "ENABLE"	V DC	24
4 opto insulated input signal for preset values selection	V DC	24
PWM frequency	Hz	80...500
Reference signal offset correction	%	-9,99... + 9,99
Mounting		Rail type DIN EN 50022
Ambient temperature	°C	0...50
Storage temperature	°C	-20... + 50
Dimensions	mm	105x90x60