



# SAE cavity cartridges



## EE10X type needle valves - 2 ways

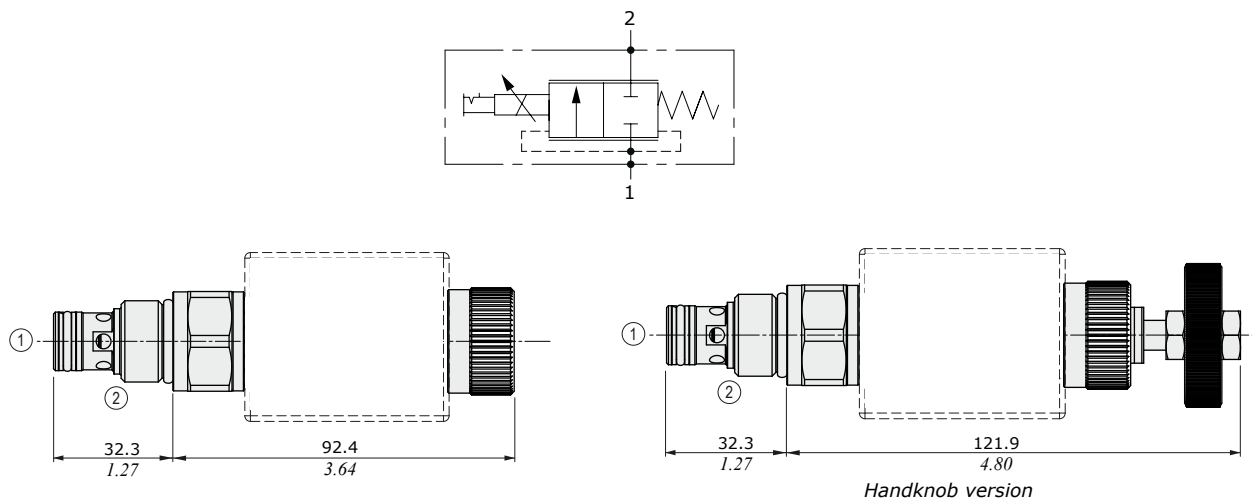
- Solenoid proportional type
- To be combined with an external compensator
- SAE10 cavity

Technical specifications and diagrams are measured with mineral oil of 46 cSt viscosity at 40°C (104°F) temperature.

### EE10X

|  |                                  |   |
|--|----------------------------------|---|
| Nominal flow                               |                                  | 40 l/min (10.6 US gpm)  |
| Max. pressure                              |                                  | 300 bar (4350 psi)  |
| Oil leakage                                | at 150 bar (2175 psi)            | 150 cm <sup>3</sup> /min (9.1 in <sup>3</sup> /min)                             |
| Fluid                                      |                                  | mineral based oil   |
| Viscosity                                  |                                  | 10-200 cSt  |
| Max level of contamination                 |                                  | 18/16/13 ISO4406  |
| Fluid temperature                          | with NBR seals<br>with FPM seals | from -20°C (-4°F) to 80°C (176°F)<br>from -20°C (-4°F) to 100°C (212°F)         |
| Environmental temp. for working conditions |                                  | from -20°C (-4°F) to 50°C (122°F)   |
| Cavity                                     |                                  | SAE 10/2  |
| Coil type*                                 |                                  | BQP19 or BH   |
| Nominal voltages                           |                                  | 12 VDC - 24 VDC ± 10%   |
| Power rating                               |                                  | 22,8 W (12 VDC) - 22,5 W (24 VDC)   |
| Max control current                        |                                  | 12 V -> 1.70 A - 24 V -> 0.85 A (BH)<br>12 V -> 1.25 A - 24 V -> 0.63 A (BQP19) |
| Dither frequency                           |                                  | 150 Hz  |
| Weight                                     |                                  | 0.3 kg (0.66 lb)  |

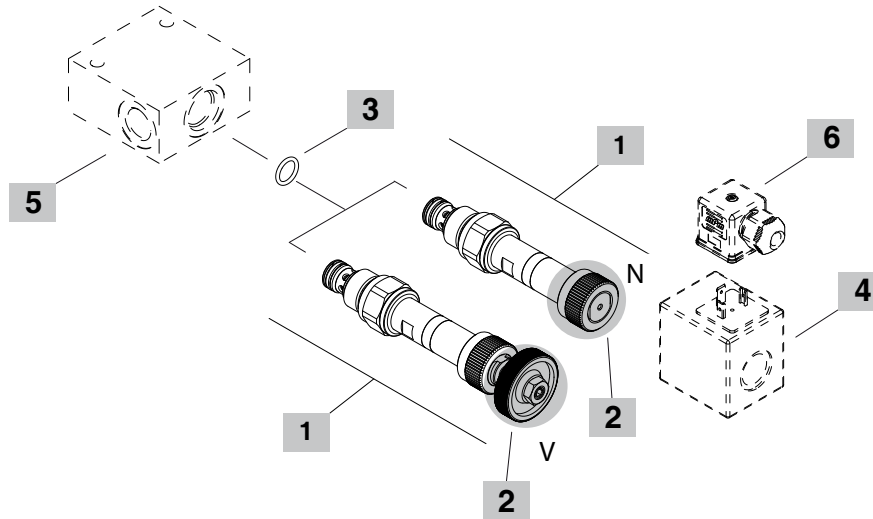
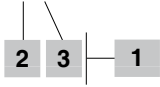
NOTE - For different conditions, please contact Walvoil Sales Dpt. - For coils further features see from page 190.





### Ordering codes and description composition

#### EE10X/22NB



#### 1 Cartridges

| TYPE              | CODE        | DESCRIPTION        |
|-------------------|-------------|--------------------|
| <b>EE10X/22NB</b> | 0EE10002009 | Without emergency  |
| <b>EE10X/22VB</b> | 0EE10002008 | Handknob emergency |

#### 2 Emergency

| TYPE     | DESCRIPTION        |
|----------|--------------------|
| <b>N</b> | Without emergency  |
| <b>V</b> | Handknob emergency |

#### 3 Seals

| TYPE     | DESCRIPTION   |
|----------|---|
| <b>B</b> | <b>NBR (Buna)</b> Std configuration without addition                |
| <b>V</b> | For valve with <b>FPM (Viton)</b> o-ring seals, contact Sales Dept. |

#### 4 Coils

| TYPE               | CODE       | DESCRIPTION        |
|--------------------|------------|--------------------|
| <b>BQP19 12VDC</b> | 4SL5000126 | Coil 12VDC-ISO4400 |

For complete coils list see from page 190  
It is possible also combine coils BH

#### 5 Valve body

| TYPE                  | CODE       | DESCRIPTION  |
|-----------------------|------------|--|
| <b>SAE 10/2-G 3/8</b> | 3CC1020C11 | Aluminium body for cavity 10 valve G3/8 std thread |

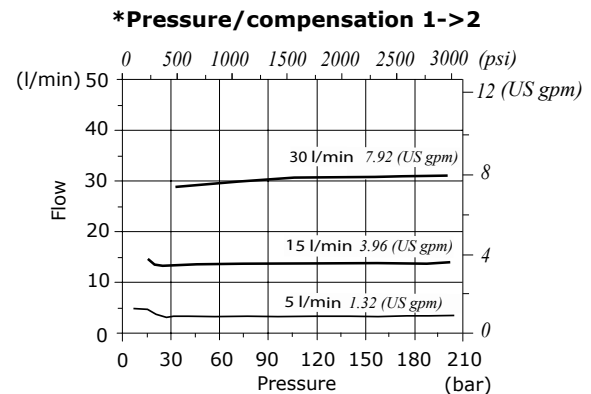
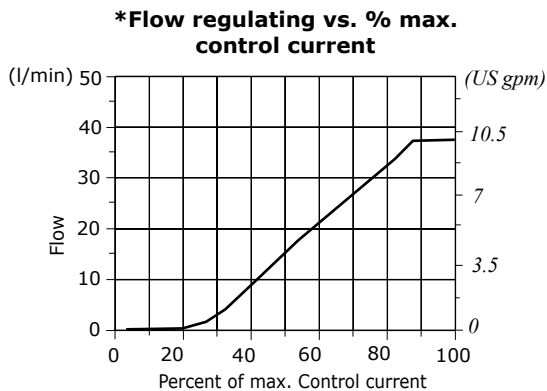
Note: aluminium body can stand up to 210 bar (3050 psi)  
For steel bodies or different threading see from page 199

#### 6 Connector

| TYPE           | CODE       | DESCRIPTION |
|----------------|------------|-------------|
| <b>ISO4400</b> | 4CN1009995 | Connector   |

For complete connectors list see from page 190

### Rating diagrams



\*The diagrams have been realized with the cartridge combined with a 10 bar (145 psi) compensator

6<sup>th</sup> edition September 2015

[WWW.WALVOIL.COM](http://WWW.WALVOIL.COM)



D1WWEI01E

