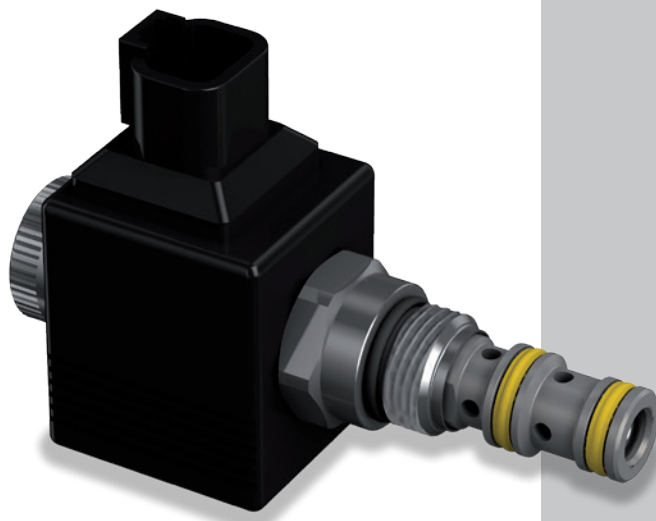


NEW

# EL08B

3 way-2 position directional solenoid valves  
poppet type



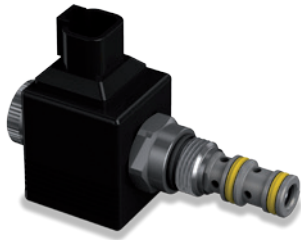
A member of



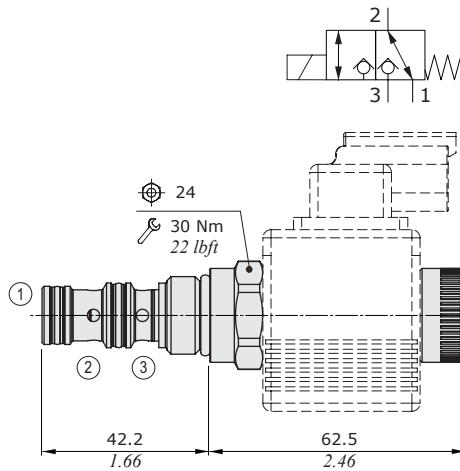
 **walvoil**  
FLUID POWER E|MOTION

# EL08B

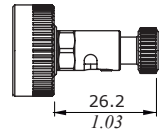
## 3 way-2 position directional solenoid valves, poppet type



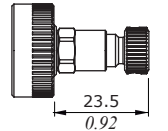
- 3 ways, 2 positions
- Direct acting
- Leak free
- Optional manual override  
(push-button, screw, push and twist)
- SAE cavity



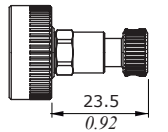
push and twist type



screw type



push-button type



Technical specifications and diagrams are measured with mineral oil of 46 cSt viscosity at 40°C (104°F) temperature.

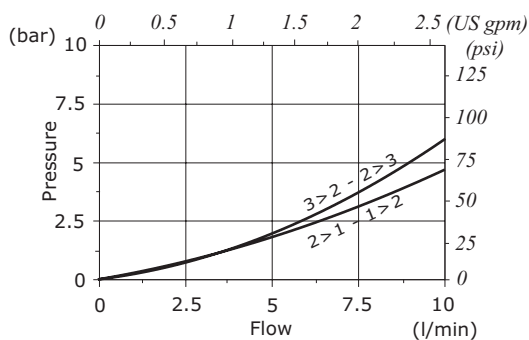
### EL08B

Max. flow		10 l/min (2.64 US gpm)
Max. pressure		250 bar (3600 psi)
Oil leakage	at 210 bar (3050 psi)	0.25 cm <sup>3</sup> /min (0.015 in <sup>3</sup> /min)
Fluid		mineral based oil
Viscosity		10-200 cSt
Max level of contamination		18/16/13 ISO4406
Fluid temperature	with NBR seals with FPM seals	from -20°C (-4°F) to 80°C (176°F) from -20°C (-4°F) to 100°C (212°F)
Environmental temp. for working conditions		from -20°C (-4°F) to 50°C (122°F)
Cavity		SAE 8/3
Coil type		BER
Nominal voltages		12 VDC - 24 VDC ± 10%
Power rating		19 W
Weight		0.162 kg (0.36 lb)

NOTE - For different conditions, please contact Walvoil Sales Dpt.

### Rating diagrams

Pressure drop vs. flow



Performance limit

