

EX72

LOAD SENSING VALVE



TECHNICAL CATALOGUE

A member of



walvoil
FLUID POWER EMOTION

1st edition EX72.01

*This catalogue shows the product in the most standard configurations.
Please contact our Sales Dpt. for more detailed information or special requests.*

WARNING!

*All specifications of this catalogue refer to the standard product at this date.
Walvoil, oriented to a continuous improvement, reserves the right to
discontinue, modify or revise the specifications, without notice.*

**WALVOIL IS NOT RESPONSIBLE FOR ANY DAMAGE CAUSED BY AN
INCORRECT USE OF THE PRODUCT.**

PATENTED SYSTEM

All the control valves belonging to the EX family work according to a principle designed by Hydrocontrol's R&D department and covered by patents EP1860327 (A1) EP1860327 (B1) US2008282691 (A1) and US7581487 (B2).

The valve LS signal is managed according to innovative technique which is an absolute first in the flow sharing world, ensuring:

- elimination of any LS signal bleed off, which can be observed in most systems currently available commercially, and is often the cause of poor compensation accuracy, slow response and excessive sensitivity to operating conditions.
- LS signal picking downstream of the local compensator: this will make signal detection "neater" improving control efficiency and accuracy.

RESPONSE RATE

The EX control valve's strength resides in its quick, prompt response, achieved thanks to the functional advantages built into our patented system. Even the most critical applications such as excavator bucket shacking and the swift dynamics of forestry machinery, usually hard to achieve on flow sharing systems, can be successfully implemented by using EX family products.

ACCURACY AND STABILITY

The unique technical characteristics of the Hydrocontrol's patent allows for outstanding flow control and compensation precision, not likely to be affected even by the most diverse operating conditions. Simultaneous functions are never mutually influenced, not even in the presence of the same load factors (an aspect best highlighted in crawler machinery travelling). System stability itself is greatly benefited by the EX design; the system, also in combination with traditional overcenter valves, appears well balanced and able to effectively reduce oscillation and dynamic instability.

EFFICIENCY

In addition to the well known advantages typically offered by flow sharing systems which, associated with a variable pump, will drastically reduce the machine operating consumption, the EX family introduces a number of interesting options, including pressure relief on the LS signal to further increase energy saving and guarantee top efficiency levels.

FLEXIBILITY

The EX family control valves can be easily adjusted to a variety of applications, thanks to the wide range of available options and different types of available control systems.

COMPACT DIMENSIONS

The carefully designed features and integrated electrohydraulic control ensure a highly compact and optimised layout. Integrated end plates are available in the final working section (only EX54 and EX72), adding to the system dimensional and functional efficiency.

PRIORITY

The EX family allow to install side by side pre-compensated section with post-compensated section. This feature allow to establish a priority in the way the oil is directed and increase the number of application where the EX family can be applied solving technical difficulties that before required external components. Both Inlets and Outlets remain common for the pre and post compensated sections making the assembling of the valve particularly convenient.

APPLICATIONS

Flow Sharing valve for 450 l/min inlet flow rate. Suitable application include drilling machines, wheeled loaders, telescoping cranes, marine cranes, mining and off-shore equipment.





QUICK REFERENCE GUIDE

GENERAL SPECIFICATIONS	EX38	EX46	EX54	EX72
Working section number	1 - 10	1 - 10	1 - 8	1 - 8
CIRCUIT				
Spool stroke (mm)	7	7	9	11
Spool pitch (mm)	38	46	54	72
RATED FLOW				
Pump flow rate (l/min)	150	220	300	450
A/B port flow rate (l/min) (*)	100	180	250	350
RATED PRESSURE				
working pressure inlet port P (bar)	350	350	350	350
BACK PRESSURE MAX				
Max pressure outlet port T (bar)	10	10	10	10

(*) with fixed Pump inlet compensator

OPTION CHART	EX38	EX46	EX54	EX72
LS Signal pressure relief valve	•	•	•	•
Pump pressure relief valve	•	•	•	•
LS Signal dump valve (electric 12/24 Vdc)	•	•	•	•
Pump dump valve (electric 12/24 Vdc)	•	•		
SPOOLS TYPE				
Single acting	•	•	•	•
Double acting	•	•	•	•
Float spool	•	•	•	•
SPOOL ACTUATION				
Hydraulic actuation	•	•	•	•
Mechanical lever actuation	•	•	•	
Mechanical cloche actuation	(•)			
Prop. electrohydraulic actuation 12-24 Vdc (*)	•	•	•	•
ON/OFF electrohydraulic actuation 12-24 Vdc (*)	•	•	•	•
CAN BUS interface actuation	on development	on development	on development	•
SPOOL RETURN ACTION				
Return spring	•	•	•	•
Mechanical detent	•	•		
Pneumatic control	•	•		
Spools displacement sensor (HLPS)	•	•	•	•
PORT RELIEF VALVE				
Direct operated antishock valve			•	•
Anticavitation valve	•	•	•	•
Pilot operated combined valve			•	•
Direct operated combined valve (fixed setting)	•	•		
Plug	•	•	•	•

• = available

(•) = available on request

(*) = we recommend to keep the T line for the electrohydraulic cartridges separate from the T line of the valve.



GENERAL INDEX

4	GENERAL SPECIFICATIONS Standard working conditions Fluid options Operating principle
6	HYDRAULIC SCHEMA Post Compensated system - Electrohydraulic actuation Post Compensated system - Hydraulic actuation
7	ORDER EXAMPLE Standard thread Tie-rod kit classification Painting
9	DIMENSIONS EX72 with mechanical lever actuation EX72 with electrohydraulic actuation
11	TYPICAL CURVES
13	INLET SECTION Order example Inlet side classification Valve identification Combinations valve available Inlet body classification
19	WORKING SECTION Order example Spool identification Spool flow Spool end identification Spool actuation classification - side A Spool return action classification - side B Work section arrangement Auxiliary valves identification
30	INTEGRATED OUTLET SECTION Order example Integrated outlet section arrangement
32	EX72 SPARE PARTS LIST
37	INSTALLATION General clamping torque
43	GENERAL CONDITIONS AND PATENTS Product identification



The specifications detailed in this catalogue show standard products. Special applications are available to order subject to contacting our Engineering Department for an estimate. The data and specifications indicated are to be considered a guide only and Hydrocontrol S.p.A. reserves the right to introduce improvements and modifications without prior notice. Hydrocontrol is not responsible for any damage caused by an incorrect use of the product.



GENERAL SPECIFICATIONS

Standard working conditions

Description	Value
Ambient operating temperature range	-40°C / +60°C
Kinematic viscosity range	10 ÷ 300 cSt
Max contamination level	9 (NAS 1638) - 20/18/15 (ISO 4406:1999)
Recommended filtration level	$\beta_{10} > 75$ (ISO 16889:2008)
Internal filter (on electroproportional valves pilot line)	30 μ m

All information and diagrams in this catalogue refer to a mineral base oil VG46 at 50°C temperature (32 cSt kinematic viscosity)

Fluid options

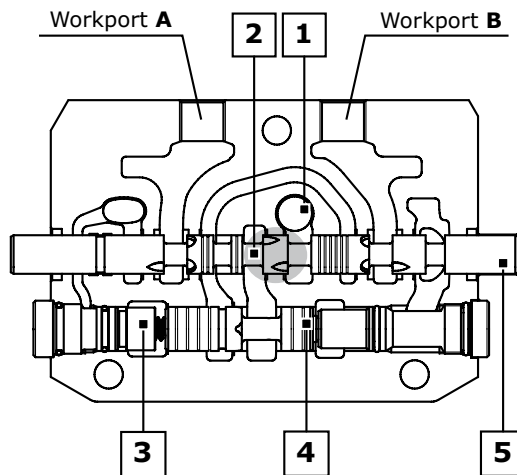
Types of fluid (according to ISO 6743/4) Oil and Solutions	Temperature (°C)		Compatible gasket
	min	max	
Mineral Oil HL, HM (or HLP acc. to DIN 51524)	-25	+80	NBR
Oil in water emulsions HFA	+5	+55	NBR
Water in oil emulsions HFB	+5	+55	NBR
Polyglycol-based aqueous solution HFC	-10	+60	NBR

For special applications and different fluids, please call our Technical Department.



Operating principle

The flow sharing technology applied to the standard load sensing system characterizes the new control valves EX. The valve, completely pressure compensated, guarantees great controllability to all actuations, making workport flow dependent only on metering area (spool position). When flow saturation occurs the system reacts by implementing an equal reduction of pressure margin across all spools, generating a proportional reduction of workport flow.



LEGEND:

1. Inlet line (High pressure)
2. Metering notches
3. Load sensing line
4. Local compensator
5. Metering spool

Single section

Referring to picture it's possible to remark some aspects of system functionality. Coming from the common inlet line the main flow, passing across the metering area, reaches local compensator. Metering area, according to the pressure margin, controls the total amount of flow to the workport selected by the main spool. The load sensing signal, picked up downstream the local compensator, feeds the common load-sensing line. When a single section is actuated, the local compensator fully opens to the left side, reaching its complete balanced position. The control of the LS system is made by the inlet compensator for fixed displacement pump or pump compensator for variable displacement pump.

Multi-section

When two or more sections are actuated only one, characterized by the highest pressure (dominant), is involved in the LS signal transmission, working as briefly described in the previous paragraph. The other functions (slaves) become directly dependent on it. The common LS line transfers the information coming from the dominant local compensator to all dependent compensators. Driven by the LS signal, the unbalanced slave compensators activate the pressure compensation creating an artificial pressure drop able to keep pressure margin nominally the same on all the spools. Workport flow becomes only a function of metering area making the system totally load independent.

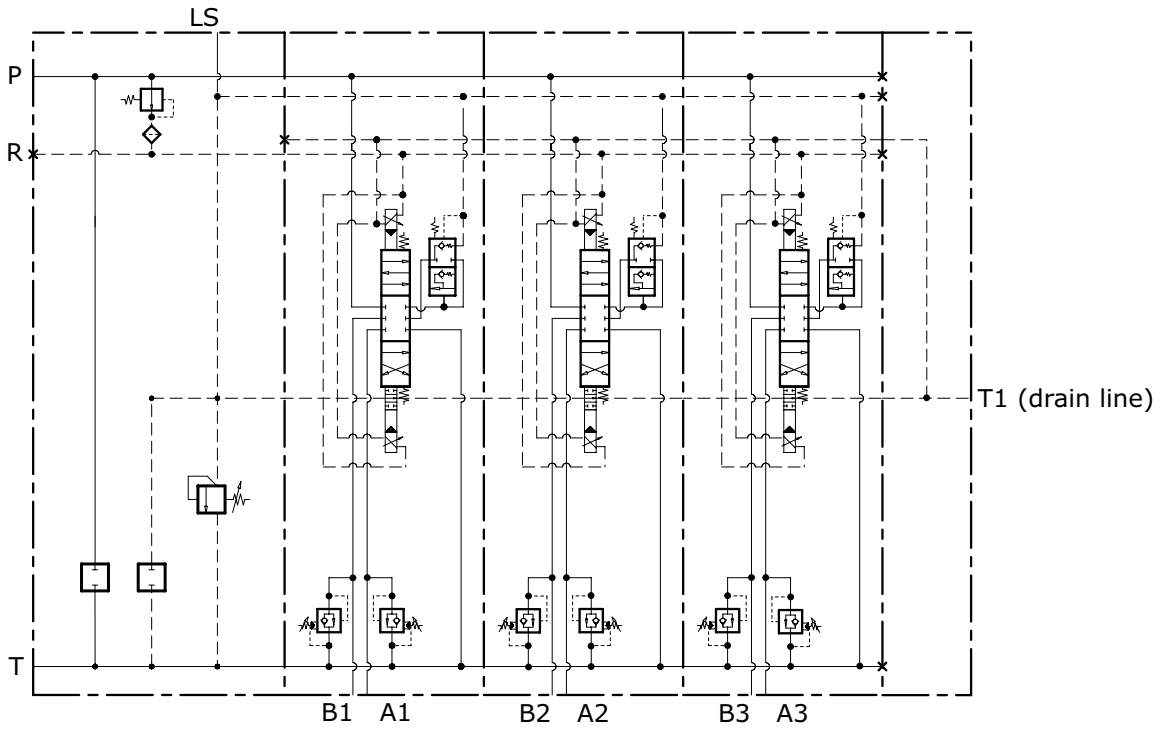
Flow Sharing function

When saturation occurs the total amount of flow required by actuations is higher than the maximum pump flow rate. The system is able to keep the nominal pressure margin no more. The actual pressure margin reduces according to real flow demand. Since all the local compensators feel the same LS signal and the same pressure drop is applied to different metering areas, then workport flows are reduced proportionally in order to keep all actuations completely under control.

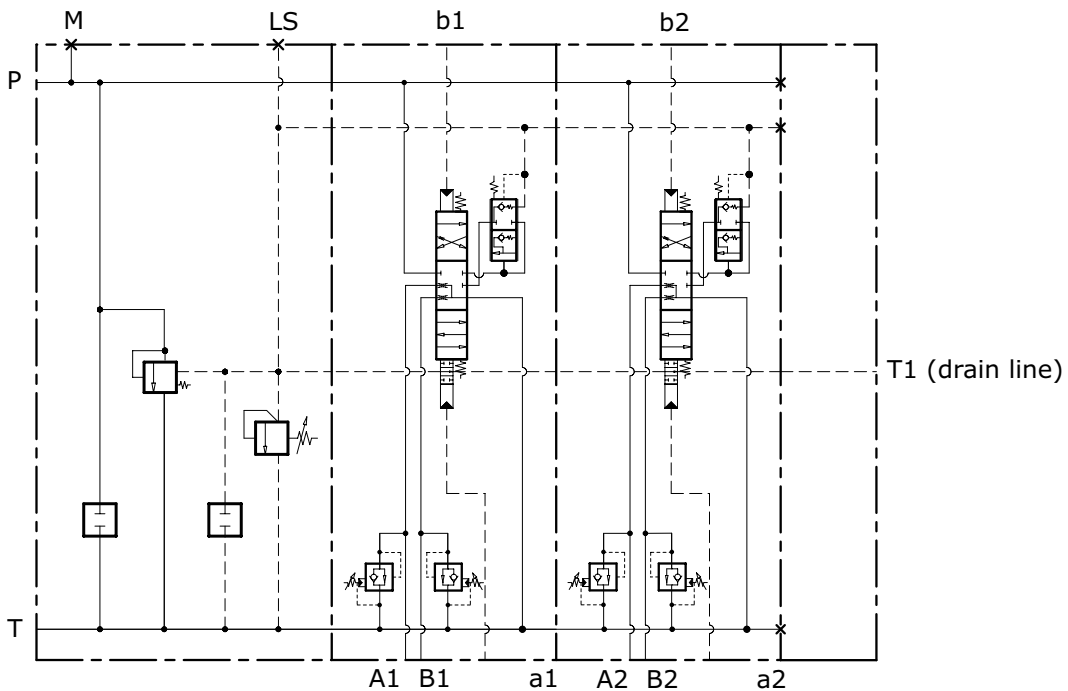


HYDRAULIC SCHEMA

Post compensated system - Electrohydraulic actuation



Post compensated system - Hydraulic actuation





ORDER EXAMPLE

EX72/2: MR V1A 200 V4B V11C C12AJ KV S37 | W001C 200200 HP05A RC1 S35 04 PA 90 04 PB 90 | W001C 200200 HP05A RCK1A S35 05 PA 05 PB

TYPE:

EX72: product type
/2: working section number

1) INLET ARRANGEMENT: p.13

- MR** Inlet side
- V1A** LS pressure relief valve on port A
- 200** Setting (bar)
- V4B** Full flow relief plug on port B
- V11C** LS electric dump valve on port C
- C12AJ** Connector kit type
- KV S37** Inlet body arrangement

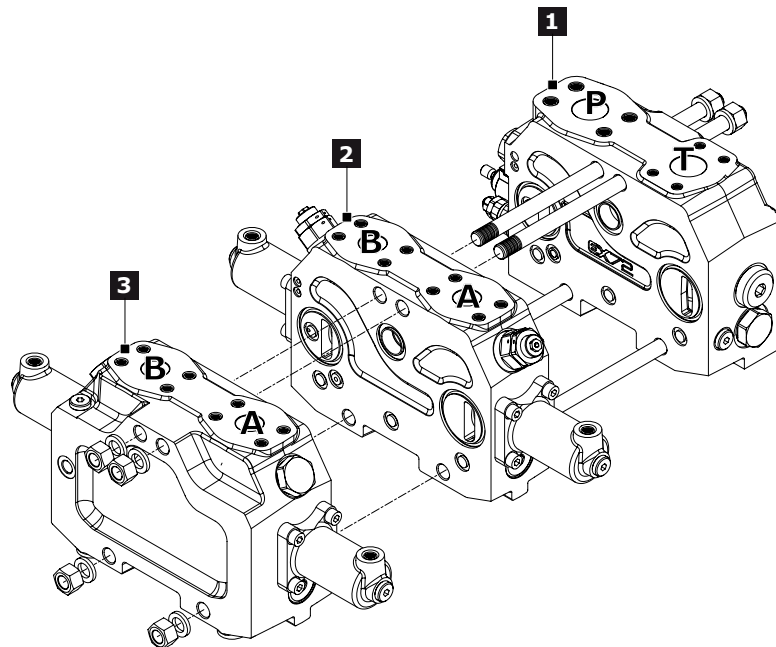
2) WORK SECTION ARRANGEMENT: p.19

- W001C 200200** Spool delivery
- HP05A** Spool actuation type
- RC1 S35** Section type and port threads
- 04 PA 90** Auxiliary valve (port A)
- 04 PB 90** Auxiliary valve (port B)

3) INTEGRATED OUTLET SECTION ARRANGEMENT: p.32

- W001C 200200** Spool delivery
- HP05A** Spool actuation type
- RCK1A S35** Section type and port threads
- 05 PA** Auxiliary valve (port A)
- 05 PB** Auxiliary valve (port B)

Ordering row 2 must be repeated for every work section



Standard thread

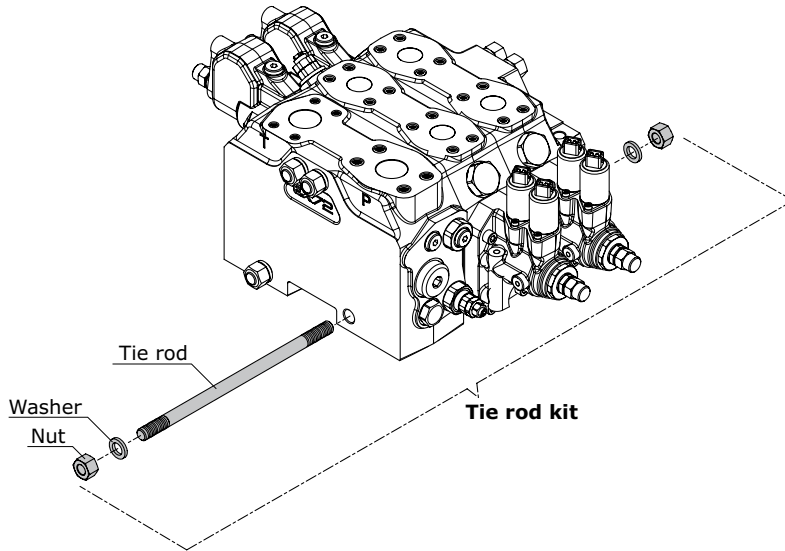
The connection ports size is indicated by an ordering code common for all Hydrocontrol products. Following table shows all available connections; for ordering code refer to table on page 44.

Ports	BSP	Code	UN-UNF	Code	SAE 6000	Code
(P)					1"1/4 MA-UNC	S37-S38
(T)					1" MA-UNC	S35-S36
(T1)	G 1/4"	G02	9/16" - 18 UN	U02		
(A - B)					1" MA-UNC	S35-S36



Tie-rod kit classification

Tie rod kit allows the correct assembly of sectional valves. Tie rod's length depends on the number of sections; each valve is assembled with tie rod kits including a tie rod, nut and washer. EX72 requires 3 tie-rod kits



Tie rod kit	Order Code	Length (mm)	Clamping Torque (Nm)	Quantity
EX72/1	300195003	232		
EX72/2	300195002	304		
EX72/3	300195009	376		
EX72/4	300195001	448		
EX72/5	300195007	520	110	3
EX72/6	300195004	592		
EX72/7	300195005	664		
EX72/8	300195006	736		

Painting

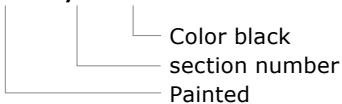
On request, all Hydrocontrol valves can be delivered painted (RAL 9005 black primer).

Order example of EX72/2 painted:

EX72/2
 MR V1A 200 V7B C12AJ V10C KV S37
 W001C 200200 HP05A RC1 S35 04 PA 90 05 PB 90
 W001C 200200 HP05A RCK1A S35 05 PA 05 PB
P006/2 N10

The painting is indicated with the following value:

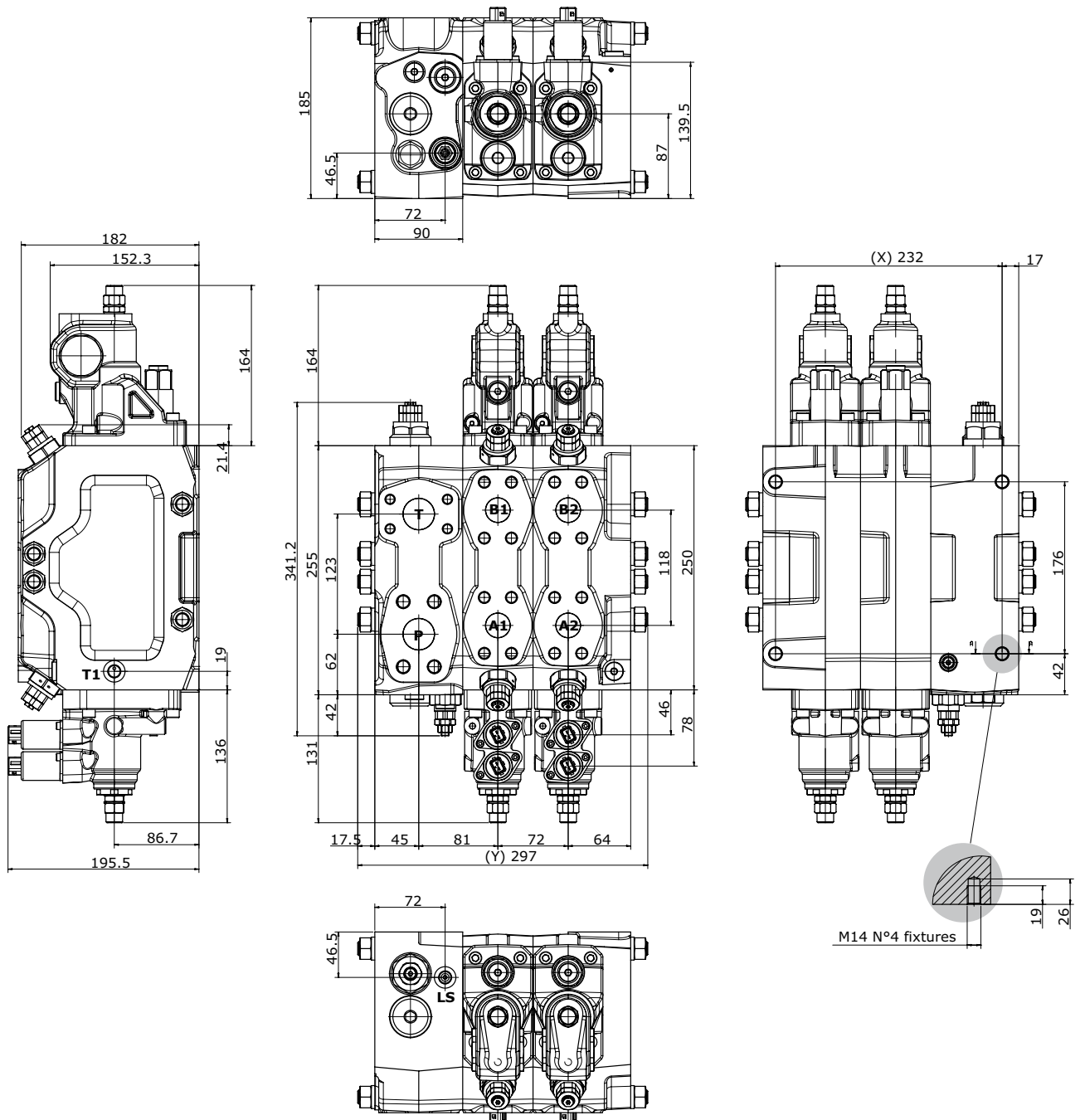
P006 - /2 - N10





DIMENSIONS

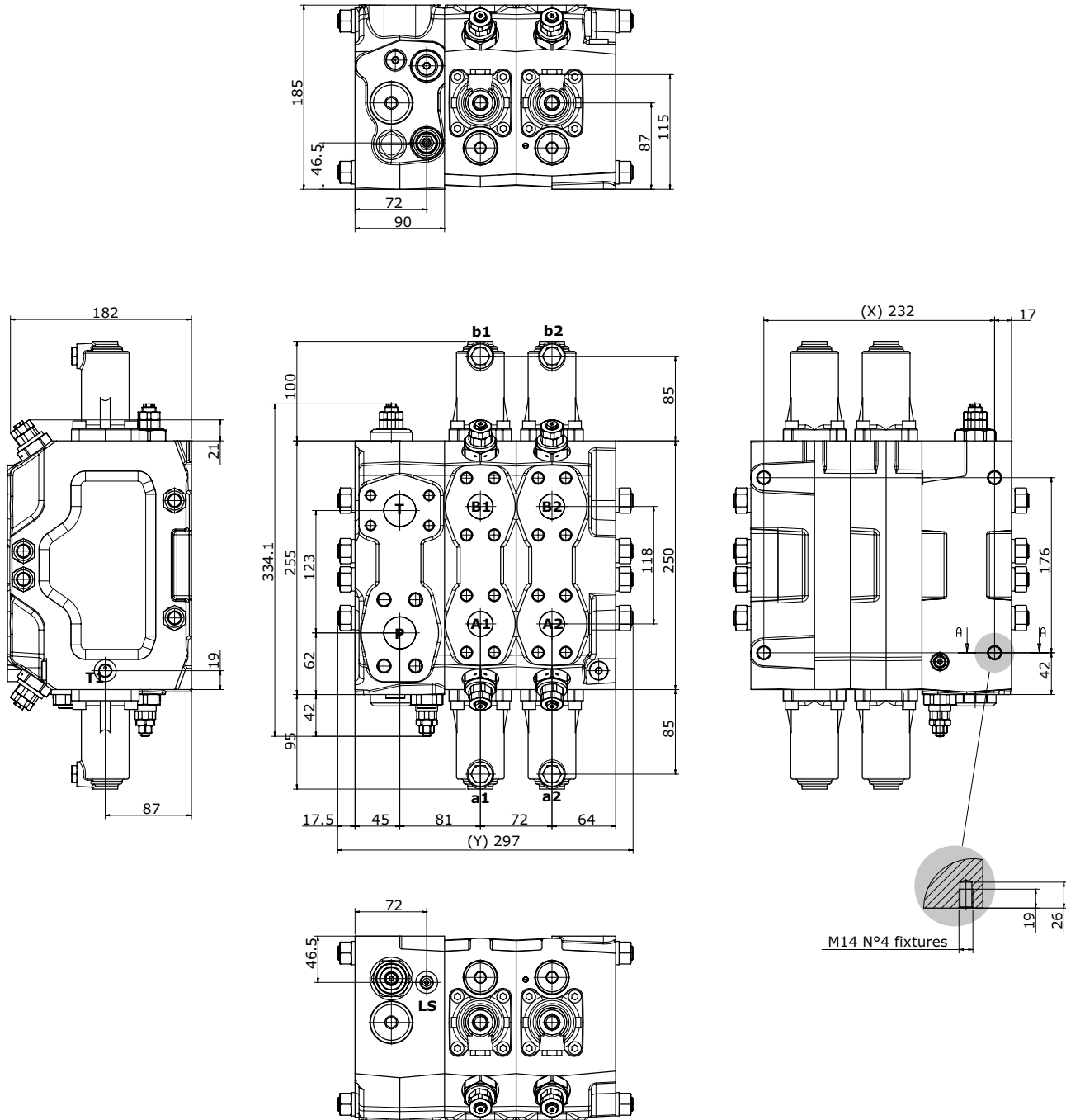
EX72 with Electrohydraulic actuation



Type	/1	/2	/3	/4	/5	/6	/7	/8
X (mm)	160	232	304	376	448	520	592	664
Y (mm)	225	297	369	441	513	585	657	729
Weights (kg)	52	72	92	112	132	152	172	192



EX72 with Hydraulic actuation



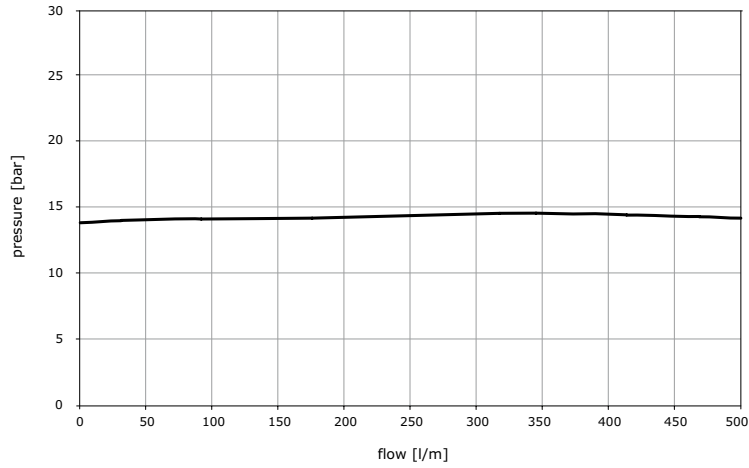
Type	/1	/2	/3	/4	/5	/6	/7	/8
X (mm)	160	232	304	376	448	520	592	664
Y (mm)	225	297	369	441	513	585	657	729
Weights (kg)	52	72	92	112	132	152	172	192



TYPICAL CURVES

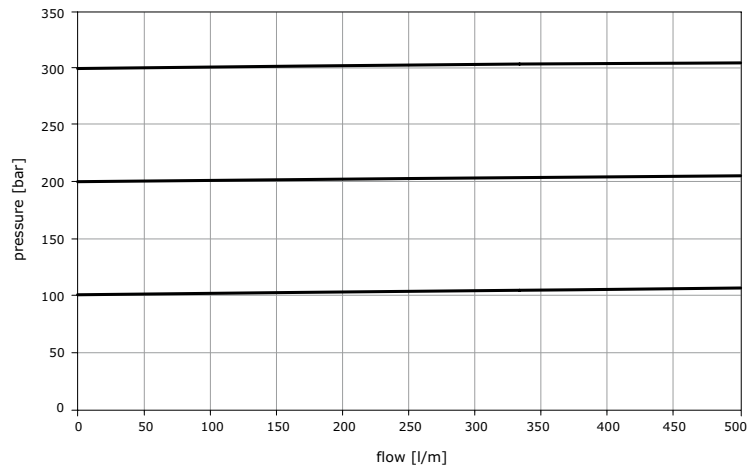
Inlet compensator Pressure drop (P-T)

Fixed displacement system (KV): pressure drop across the inlet compensator as function of pump flow



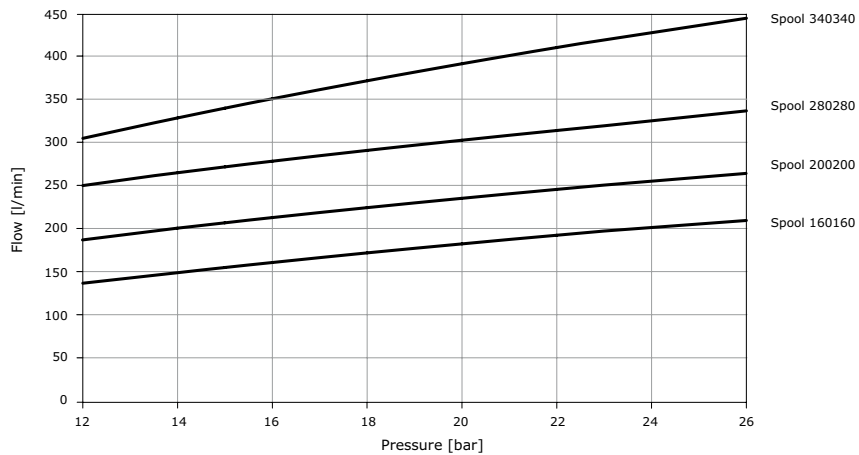
LS relief valve

Fixed displacement system (KV): LS relief valve characteristic



Post compensated spool flow with variable displacement pumps

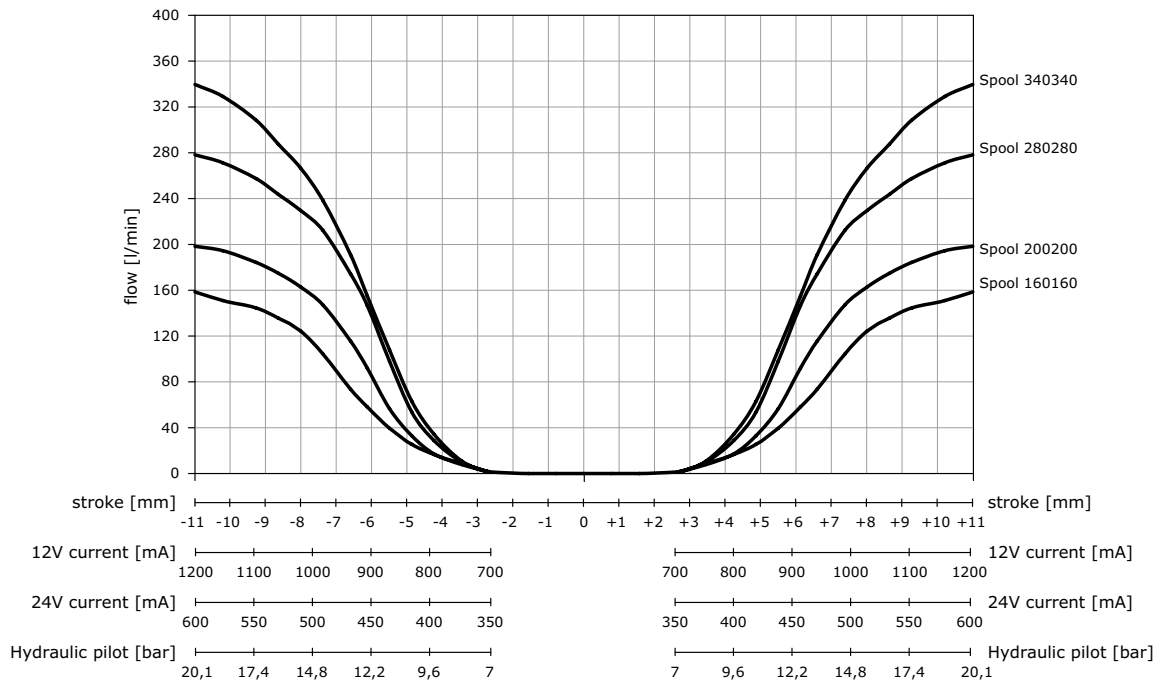
Variable displacement systems (JV): spools maximum delivered flow as function of pump Δp setting





Post compensated spool flow characteristic

Fixed displacement systems (KV): flow on ports A and B as function of spool stroke, pilot pressure, control current
Inlet flow: 300 l/min - Pump inlet compensator at 16 bar Δp

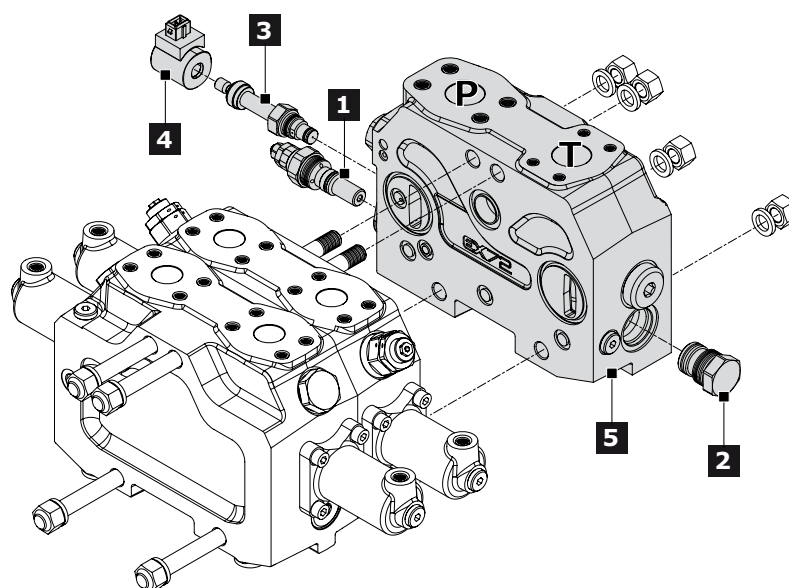




INLET SECTION

Order example

	MR	V1A	200	V4B	V11C	C12AJ	KV S37
1.	MR	Inlet side					
	V1A	LS pressure relief valve on position A					
	200	setting (bar)					
2.	V4B	Full flow relief plug on position B					
3.	V11C	LS electric dump valve on position C					
4.	C12AJ	Connector kit type					
5.	KV S37	Inlet body classification					



Rif.	Code	Description	Page
-	MR	Flow sharing valve with right inlet section	14
1	V1A V2A	LS pressure relief valve - on position A LS relief plug - on position A	14
2	V3B V4B	Full flow direct operated pressure relief valve - on position B Full flow relief plug - on position B	14
3	V10C V11C	LS plug - on position C LS electric dump valve - on position C	14
4	C12AJ	AMP Junior connector - 12 Vdc	16
5	KV S37 JV S37 KVR S37 JVR S37	Open centre inlet section for fixed displacement pumps (SAE 6000 1"1/4 MA) Closed centre inlet section for variable displacement pumps (SAE 6000 1"1/4 MA) Open centre inlet section with RDP for fixed displacement pumps (SAE 6000 1"1/4 MA) Closed centre inlet section with RDP for variable displacement pumps (SAE 6000 1"1/4 MA)	17

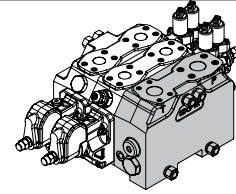
NOTE: when ordering a relief valve it is necessary to specify factory setting (example 200).



Inlet side classification

MR

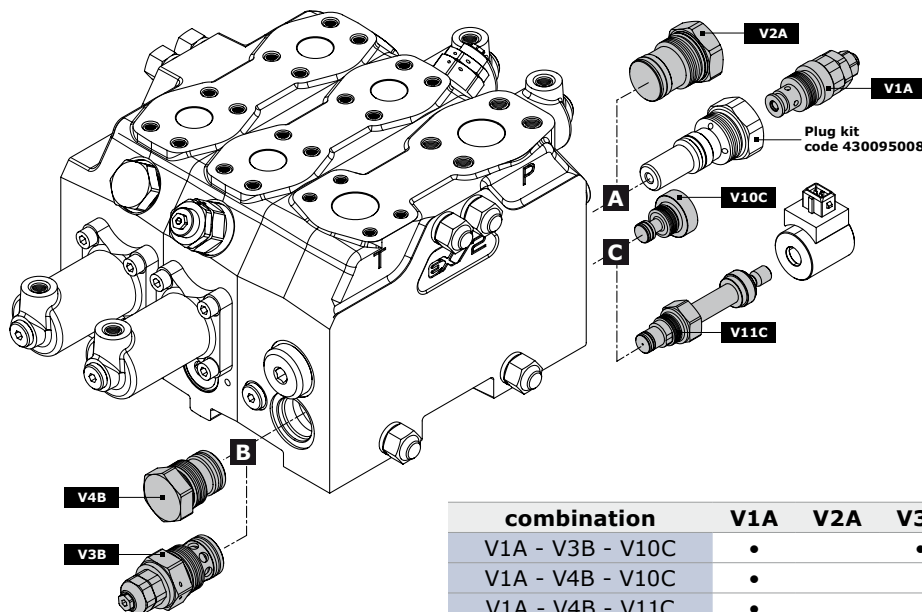
Flow sharing valve with **RIGHT INLET** section



Valves identification

Order code	Schema		Description	Setting Range (bar)
V1A			LS pressure relief valve	120 - 250
				251 - 350
V2A			LS relief plug	
V3B			Full flow direct operated pressure relief valve	50 - 350
V4B			Full flow relief plug	
V10C			LS plug	
V11C			LS electric dump valve	

Valves combination



In the presence of LS pressure relief valve (V1A) is compulsory to order separately plug adapter kit that allows the correct assembly of the valve on the inlet section.

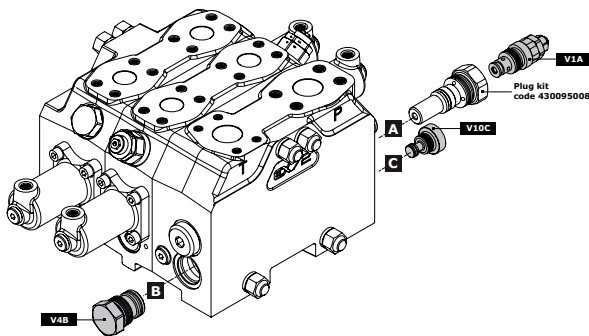
ORDER CODE: **430095008**

combination	V1A	V2A	V3B	V4B	V7B	V10C	V11C
V1A - V3B - V10C	•		•			•	
V1A - V4B - V10C	•			•		•	
V1A - V4B - V11C	•			•			•
V2A - V4B - V10C		•		•		•	
V2A - V4B - V11C		•		•			•



Inlet valve arrangement examples

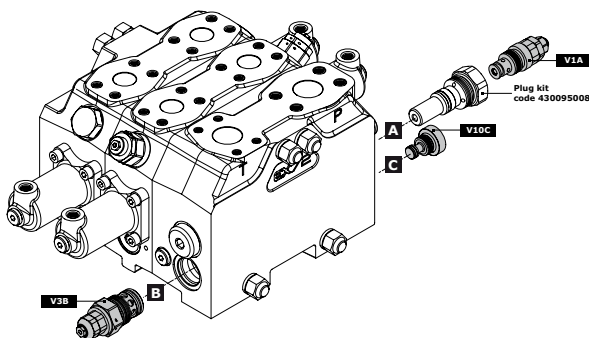
NOTE: when ordering a valve type V1A or V3B, it is necessary to specify pressure setting.



MR - V1A (200) - V4B - V10C - KV S35

- V1A** LS relief valve on position A
- 200** setting (bar)
- V4B** Full flow relief plug on position B
- V10C** LS plug on position C

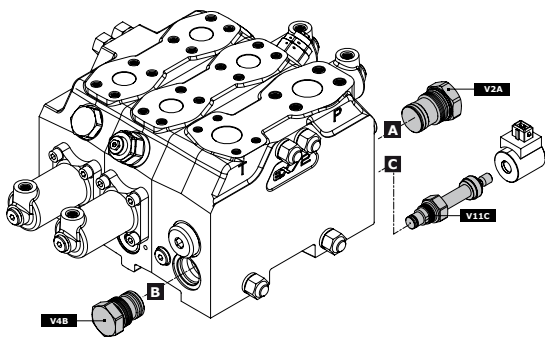
NOTE: requires minimum 40 bar difference in setting of valve V1A (LS relief valve) and valve V3B (Full flow relief valve)



MR - V1A (200) - V3B (240) - V10C - KV S35

- V1A** LS relief valve on position A
- 200** setting (bar)
- pressure relief valve
- V3B** Full flow direct operated pressure relief valve on position B
- 240** setting (bar)
- Full flow direct operated pressure relief valve
- V10C** LS plug on position C

NOTE: when ordering a valve type V11C, it is necessary to specify connector type (see table "A" page 16)



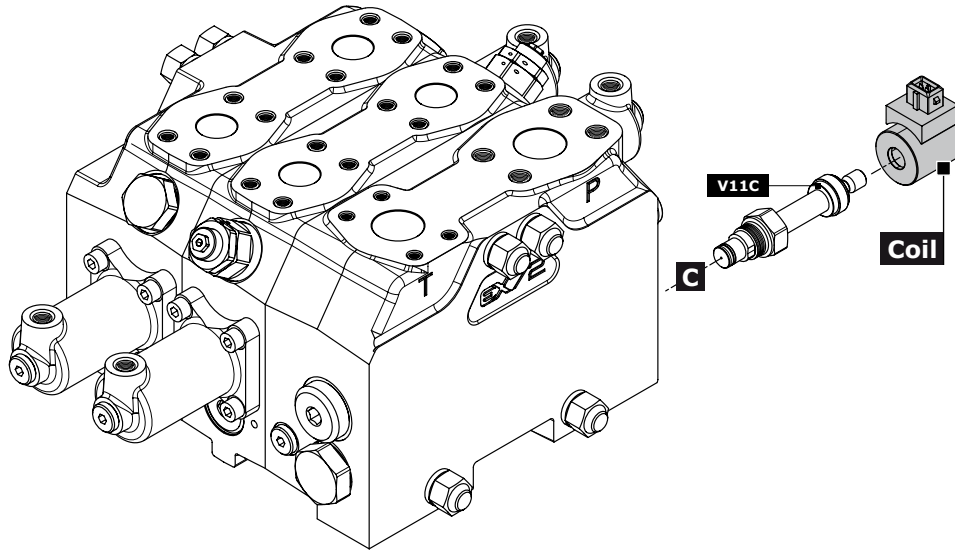
ML - V2A - V4B - V11C (C24AJ) - KV G05

- V2A** LS relief plug on position A
- V4B** Full flow relief plug on position B
- V11C** LS electric dump valve on position C
- C24AJ** Connector DIN - 24 Vdc



Table "A"
Coil and Connectors specifications for inlet section

Electric dump valve coil must be ordered separately



Coil Type	Order Code	supply voltage (Vdc)	weather protection	Coil resistance R20 (Ω)	connector Material	coil body	duty cycle	Coil Insulation	power
DIN 43650 ISO 4400	C12DI	413171235	IP65	7	Nylon	Zinc plated steel	ED 100%	Class H coil as from IEC 85 standard	20.5 W
	C24DI	413172432		24					
DEUTSCH DT 4	C12DE	413171238	IP67	7					
	C24DE	413172440		24					
AMP JUNIOR	C12AJ	413171237	IP65	7					
	C24AJ	413172433		24 Vdc					

NOTE: mating connector for DIN 43650 can be ordered separately with code 413000313.



Inlet body classification

The inlet section with KV configuration enables control valve usage with fixed displacement pumps. With this configuration the presence of LS relief valve (valve type 1) is suitable to adjust the system maximum pressure. The inlet section with JV configuration enables control valve usage with variable displacement pumps. With this configuration the presence of LS relief valve (valve type 1) is suitable to adjust the system maximum pressure. LS electric dump valve (valve type 11) can also be added as safety device. An additional full flow relief valve (valve type 3) can be added to protect the system from pump regulator failures. Additional solution for variable displacement pumps is available on request to allow a constant reduced free flow in stand by condition through the system: this is sometime required to guarantee a stand by flow for oil cooling.

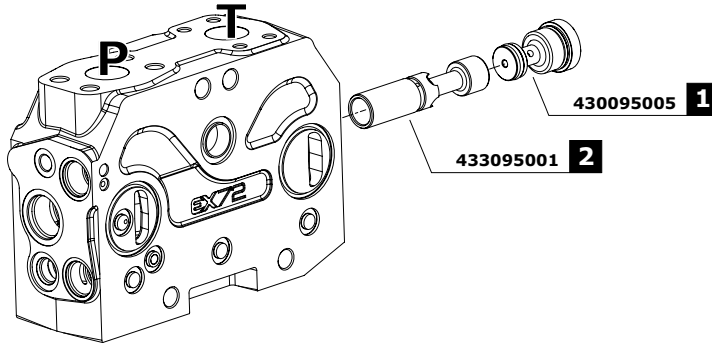
INLET BODY ARRANGEMENT AND THREAD AVAILABLE		
code	schema	description
KV S37		Open centre inlet section for fixed displacement pumps
KV S38		
JV S37		Closed centre inlet section for variable displacement pumps
JV S38		
KVR S37		Open centre inlet section with RDP for fixed displacement pumps
KVR S38		
JVR S37		Closed centre inlet section with RDP for variable displacement pumps
JVR S38		

NOTE:
Electrohydraulic actuation requires inlet section with RDP.
Transformation of the inlet section from closed center to open center and vice versa is possible by ordering the appropriate kit 320095003 or 320095004 (see page 18)



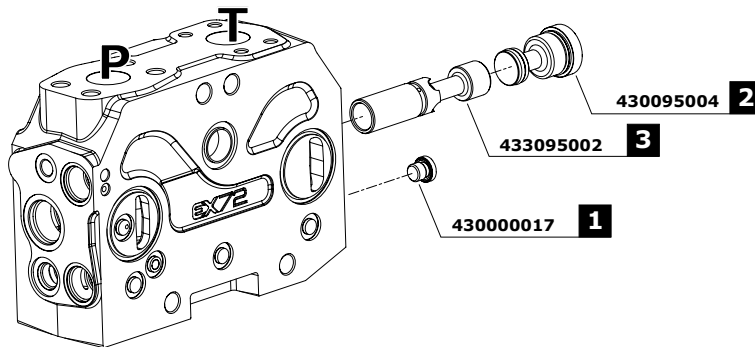
Trasformation kits

Transformation on the inlet section from open center to closed center is possible by ordering the complete kit code: **320095003 (transformation kit from KV to JV)**



OPEN CENTER CONFIGURATION (JV) - VARIABLE PUMP			
Ref.	Order Code	Description	Q.ty
1	430095005	Inlet compensator kit	1
2	433095001	Spool assembly	1
Complete transformation kit: order code - 320095003			

Transformation on the inlet section from closed center to open center is possible by ordering the complete kit code: **320095004 (transformation kit from JV to KV)**



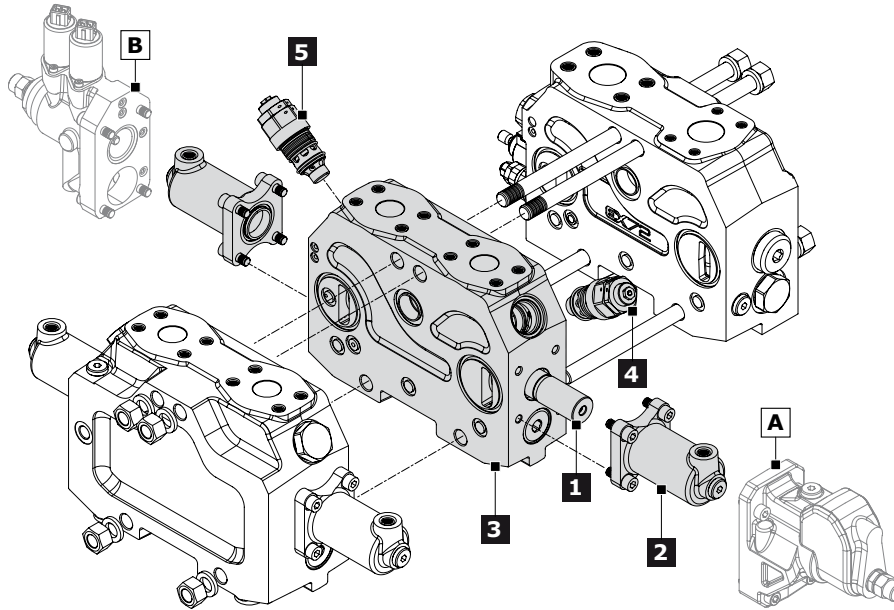
OPEN CENTER CONFIGURATION (KV) - FIXED PUMP			
Ref.	Order Code	Description	Q.ty
1	430000017	Plug G1/4"	1
2	430095004	Inlet compensator plug kit	1
3	433095002	Spool assembly	1
Complete transformation kit: order code - 320095004			



WORKING SECTION

Order example:

	W001C 200200	HP05A	RC1 S35	04 PA 90	04 PB 90
1. W001C 200200	spool type _____				
2. HP05A	spool actuation type _____				
3. RC1 S35	section type _____				
4. 04 PA 90	auxiliary valve type (port A) _____				
5. 04 PB 90	auxiliary valve type (port B) _____				



Ref.	Code	Description	Page
1	W001C 200200	3 positions double-acting (200200 = l/min Spool flow)	20
	W002C 200200	3 positions double-acting A-B to tank (200200 = l/min Spool flow)	
2	HP05A	hydraulic actuation (pilot ports on the top)	22
	HP05C	hydraulic actuation (pilot ports on the side)	
3	RC1 S35	Post-Compensated section (SAE 6000 1"MA)	29
	RC1 S36	Post-Compensated section (SAE 6000 1"UNC)	
	RCD1 S35	Post-Compensated section with LS relief valve (SAE 6000 1"MA)	
	RCD1 S36	Post-Compensated section with LS relief valve (SAE 6000 1"UNC)	
4	04 PA 90	Pilot combined valve (port A)	31
	05 PA	Prearrangement for auxiliary valve (port A)	
5	04 PB 90	Pilot combined valve (port B)	31
	05 PB	Prearrangement for auxiliary valve (port B)	

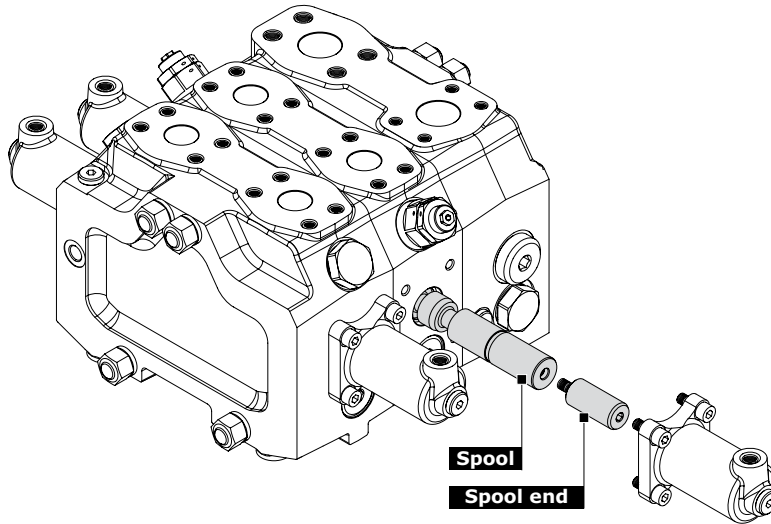
EX72 work sections are available in one configuration: POST COMPENSATED

- RIF. A = spool actuation side A / RIF. B = Spool return action side B
 - Sections designed with electrohydraulic actuation require double choice on side A and side B
 - Leave out the spool return action code when choosing hydraulic actuation HP05A, HP05C and HP05L
 - Sections designed to house auxiliary valve option require double choice on work ports A and port B.
- Always indicate setting value when using antishock and pilot combined valve: 01 PA (120) - 04 PA (120)
- When ordering a section with electrohydraulic actuation, it is necessary to specify connector type. (see table on page 27).



Spool identification

Each work section contains a spool; each spool is compatible with all actuations. For the correct operation of all actuations, each work section requires a spool end which changes according to the type of actuations. (see tables "C" on page 21)



POST - COMPENSATED SECTION		
Code	Description	Schema
W001C	3 positions double-acting	
W002C	3 positions double-acting A and B to tank	

Spool flow

Flow rates delivered to the A and B ports are identified in following table. Rated flows refer to simmetrical spools.

POST - COMPENSATED SECTION (FLOW RATES l/min)					
Spool type	160160	200200	250250	280280	340340
W001C	•	•	•	•	•
W002C	•	•	•	•	•



Spool end identification

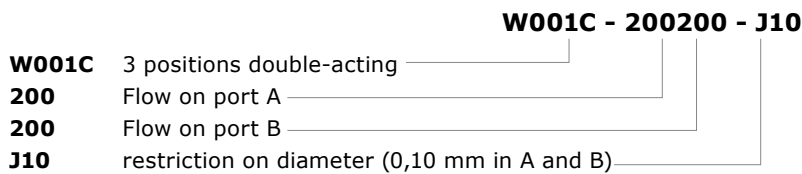
All work section contain end spool, that changes as a function of spool actuation control.

POST - COMPENSATED SECTION		
Code	Description	Layout
422501231	Pin hole end (Available with hydraulic actuation)	
422501250	Pin hole end (Available with electrohydraulic actuation)	

Spool with restricted service ports

Code	Circuit	Restriction on diameter (mm)	Section (mm ²)	Schema
J10	A-B IN T	0,10	2,19	
K10	A IN T	0,10	2,19	
Y10	B IN T	0,10	2,19	

Classification spool example



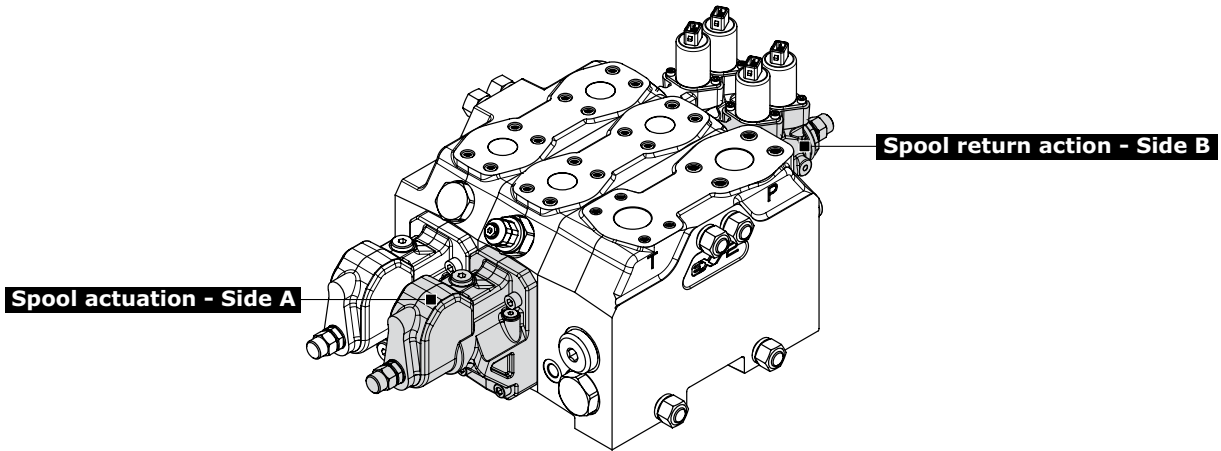
NOTE:

- not simmetric spools (such as 160200, 250280...) are available on request; for availability we suggest to contact our Sales department.
- rated flows are defined for 16 bar ΔP (as per KV inlet arrangement); for different ΔP values on variable pump systems, refer to diagram on page 12 (Post compensated spool flow with variable displacement pumps).



Spool actuation classification - SIDE A

Spool actuations are divided in two types: **Hydraulic actuation - Electrohydraulic actuation**



COMPLETE HYDRAULIC ACTUATION			
Code	Description	Dimensions	Configuration
HP05A	<p>Hydraulic actuation (pilot ports on the top)</p> <p>(only with manual and hydraulic section body)</p>		
HP05C	<p>Hydraulic actuation (pilot ports on the sides)</p> <p>(only with manual and hydraulic section body)</p>		
HP05L	<p>Hydraulic actuation with stroke limiter</p> <p>(only with manual and hydraulic section body)</p>		

HYDRAULIC ACTUATION SPECIFICATIONS	
Regulating pressure (bar)	6,2 - 20,1
Max Pressure on pilot line (bar)	40
Max Pressure on pilot Tank line (bar)	5

NOTE:

- Leave out the spool return action code when choosing hydraulic actuation HP05A, HP05C and HP05L
- HP05A, HP05C, HP05L requires a hydraulic version body.
- All hydraulics actuation are available in BSP or UNF version: (Port Pilot: 1/4" BSP or 9/16" UNF)
- Recommended control curve for HC Remote Control: A01 for standard spool

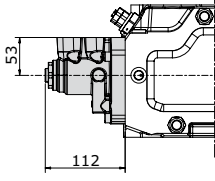
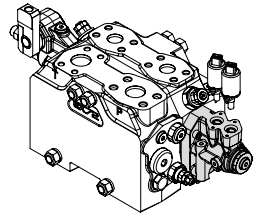
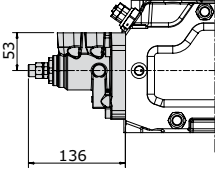
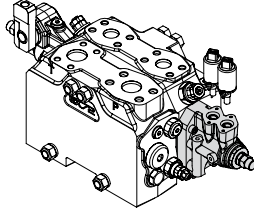


ELECTROHYDRAULIC ACTUATION - SIDE A			
Code	Description	Dimensions	Configuration
HP04	Lever actuation + electrohydraulic actuation		
HP04L	Lever actuation + electrohydraulic actuation with stroke limiter		
HP07	Without lever + electrohydraulic actuation		
HP07L	Without lever + electrohydraulic actuation with stroke limiter		

NOTE: Require electrohydraulic version body.



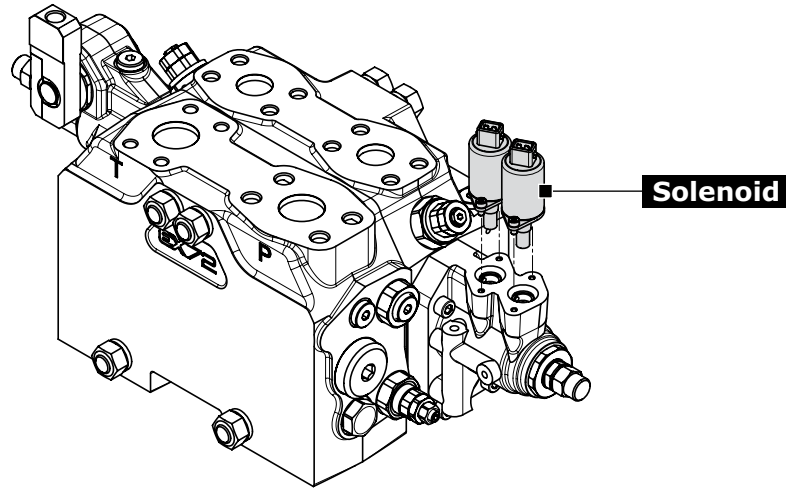
Spools return action classification - SIDE B

ELECTROHYDRAULIC ACTUATION - SIDE B			
Code	Description	Dimensions	Configuration
FP04	Lever actuation + electrohydraulic actuation available with HP04 - HP04L - HP07		
FP04L	Lever actuation + electrohydraulic actuation with stroke limiter Only available with HP07L		



Solenoid specifications for Electrohydraulic actuation

Solenoid kit must be ordered separately. Each work section require two solenoid kit.



COIL AND CONNECTOR SPECIFICATIONS				
Type	DEUTSCH DT 4		AMP JUNIOR POWER TIMER	
Order Code	B12DE	B24DE	B12AJ	B24AJ
	430093102	430093103	430093100	430093101
Supply voltage (Vdc)	12	24	12	24
Coil resistance R20 (Ω)	4,7	20,8	4,7	20,8
ON-OFF control current (mA)	2500	1150	2500	1150
Proportional control current (mA)	500 - 1300	250 - 650	500 - 1300	250 - 650
PWM frequency suggested (Hz)	70 - 90		70 - 90	
Connector	DEUTSCH DT 4		AMP Junior Power Timer	
Feeding reducing pressure (bar)	40		40	
Max Pressure on pilot Tank line (bar)	5		5	

NOTE:

Mating connector for AMP Junior Power Timer can be ordered separately with code 413000223 (including 2 m wire). Mating connector for Deutsch DT 4 can be ordered separately with code 487200802.



Compatibility table

COMBINATION		SPOOL ACTION AND RETURN SPRING TYPE - SIDE B	
		FP04	FP04L
SPOOL ACTION AND RETURN SPRING TYPE - SIDE A	HP05A		
	HP05C		
	HP05L		
	HP04	•	
	HP04L	•	
	HP07	•	
	HP07L		•

NOTE: Leave out the spool return action code when choosing hydraulic actuation HP05A, HP05C and HP05L



Work section arrangement

Following pages are showing ordering code for post compensated section in their standard version and in combination with some specific applicable devices.

POST-COMPENSATED Section with local LS relief valve

Another feature not commonly found in flow sharing systems is the possibility to have a Load Sensing relief valve on individual sections. The purpose to use a local LS relief instead of a standard port shock relief is to improve the efficiency of the system. When a standard port shock relief is used, the full flow across the relief will be directed to tank, if the pressure system exceeds the setting. By using a local LS relief, only a very minimal part of oil will be directed to tank in the same condition, with great advantage for the system efficiency.

Furthermore, by saving oil from going to tank, more oil will be available for simultaneous operations and this will improve the performance of the machine.

The pressure limitation generated by the local LS relief applies to both section ports, A and B.

The local pressure limitation works properly if the section is actuated alone or if the section is the most charged.

The local LS relief can be easily installed as a retrofit too.

Functions	Code	Setting range	Type	POST compensated
Standard section	RC1		with auxiliary valve	•
Section with local LS relief valve	RCD1	71 - 180 181 - 280 281 - 350 351 - 420	with auxiliary valve	•
Standard integrated outlet section	RCK1A RCK1C		with auxiliary valve	•
Integrated outlet section with local LS relief valve	RCDK1A RCDK1C	71 - 180 181 - 280 281 - 350 351 - 420	with auxiliary valve	•

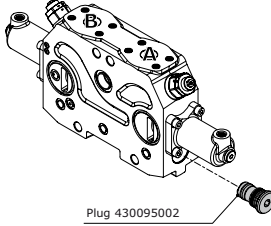
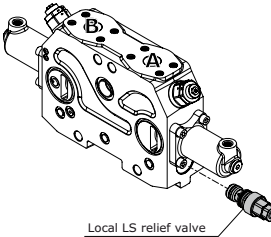
NOTE:

- Local LS relief valve work on both ports; setting for A and B ports is the same.
- LS relief valve setting must be specified as follow: RCD1 S35 (120) - RCDK1A S35 (120)



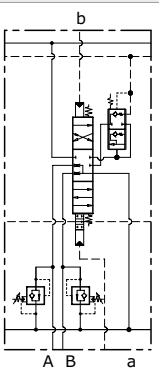
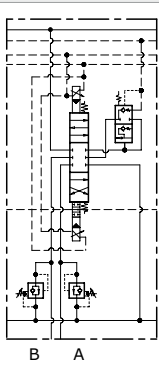
Work section trasformation kits

Transformation on the work section from RC type to RCD type and viceversa, is possible by ordering the following plug kit codes:

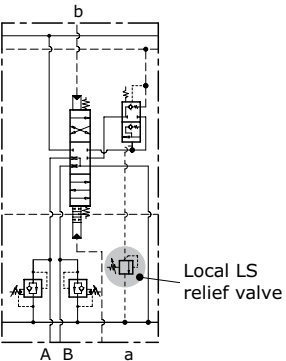
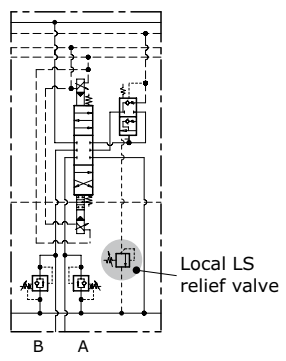
Type	Order Code	Setting Range	Description	Configuration	Section Type
RC	430095002		Standard section		Post compensated section
RCD	915029506	71 - 180	Section with local LS relief valve		
	915029503	181 - 280			
	915029504	281 - 350			
	915029505	350 - 420			

POST compensated arrangement

POST-COMPENSATED SECTION STANDARD

code	schema for hydraulic lever actuation	schema for electrohydraulic actuation	description
RC1 S35			POST compensated section Arranged for auxiliary valves
RC1 S36			

POST-COMPENSATED SECTION WITH LOCAL LS RELIEF VALVE

code	schema for hydraulic lever actuation	schema for electrohydraulic actuation	description
RCD1 S35			POST compensated section with local Load Sensing relief valve Arranged for auxiliary valves
RCD1 S36			



Auxiliary valve identification

Valve setting is defined at 10 l/min flow. Look at Auxiliary valves diagram on page 14 to evaluate setting at actual flow.

code	description	schema	configuration	setting range (bar)			
				type	at full flow	type	at min. flow
01 PA	Antishock valve (port A)			A	60 / 100	A	10-A / 60-A
				B	101 / 160	B	61-A / 130-A
				C	161 / 250	C	131-A / 250-A
02 PA	Anticavitation valve (port A)						
04 PA	Pilot combined valve (port A)			A	50 / 390		
05 PA	Prearrangement for auxiliary valve (port A)						

code	description	schema	configuration	setting range (bar)			
				type	at full flow	type	at min. flow
01 PB	Antishock valve (port B)			A	60 / 100	A	10-A / 60-A
				B	101 / 160	B	61-A / 130-A
				C	161 / 250	C	131-A / 250-A
02 PB	Anticavitation valve (port B)						
04 PB	Pilot combined valve (port B)			A	50 / 390		
05 PB	Prearrangement for auxiliary valve (port B)						

Auxiliary valve - Setting range

Sections designed to house auxiliary valve option require double choice on work ports A and B.

Always indicate setting value when using antishock valve or pilot combined valve:

01 PA (120) = setting at full flow / 01 PA (120-A) = setting at min. flow

04 PA (120) = setting at full flow / 04 PA (120-A) = setting at min. flow

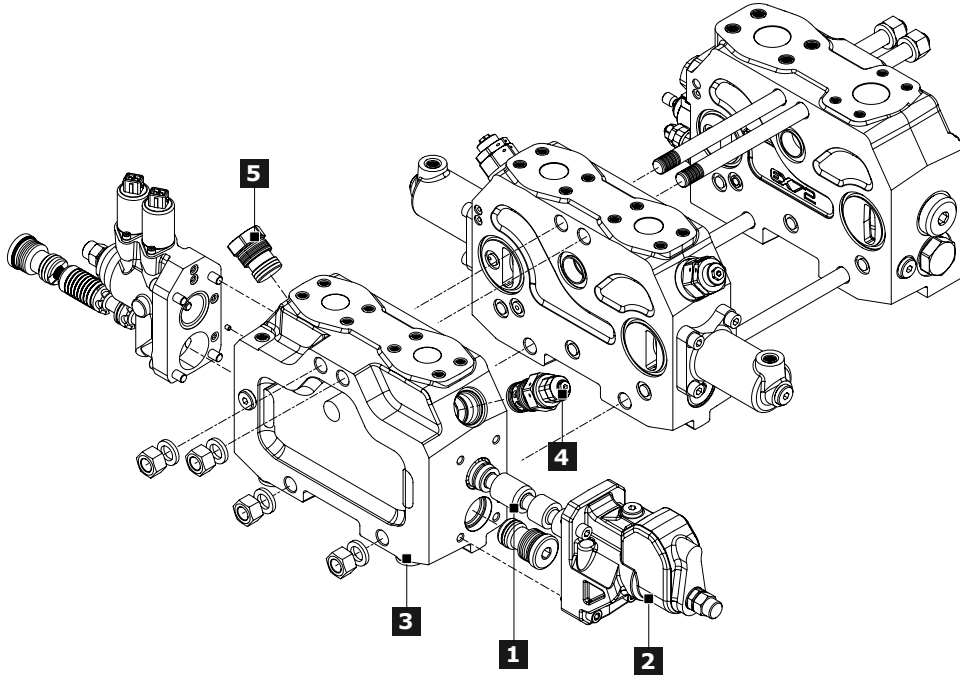


INTEGRATED OUTLET SECTION

Order example:

W001C 200200	HP05A	RCK1A S35	05 PA	05 PB
---------------------	--------------	------------------	--------------	--------------

- | | | | |
|----|---------------------|--------------------------------|--|
| 1. | W001C 200200 | spool type | |
| 2. | HP05A | spool actuation type | |
| 3. | RCK1A S35 | integrated outlet section type | |
| 4. | 05 PA | auxiliary valve type (port A) | |
| 5. | 05 PB | auxiliary valve type (port B) | |



Ref.	Code	Description	Page
1	W001C 200200	3 positions double-acting (200200 = l/min Spool flow)	20
	W002C 200200	3 positions double-acting A-B to tank (200200 = l/min Spool flow)	
2	HP05A	hydraulic actuation (pilot ports on the top)	22
	HP05C	hydraulic actuation (pilot ports on the side)	
3	RCK1A S35	Integrated outlet section - LS drain Upper (SAE 6000 1"1/4 MA)	33
	RCK1A S36	Integrated outlet section - LS drain Upper (SAE 6000 1"1/4 UNC)	
	RCDK1A S35	Integrated outlet section with LS relief valve - LS drain Upper (SAE 6000 1"1/4 MA)	
	RCDK1A S36	Integrated outlet section with LS relief valve - LS drain Upper (SAE 6000 1"1/4 UNC)	
4	04 PA 90	Pilot combined valve (port A)	31
	05 PA	Prearrangement for auxiliary valve (port A)	
5	04 PB 90	Pilot combined valve (port B)	31
	05 PB	Prearrangement for auxiliary valve (port B)	

EX72 integrated outlet sections are available in one configuration: POST COMPENSATED
 Integrated outlet sections are equipped with the same parts of work section, change only the body arrangement.
 - RIF. A = spool actuation side A / RIF. B = Spool return action side B
 Integrated outlet section designed with electrohydraulic actuation require double choice on side A and side B
 - Leave out the spool return action code when choosing hydraulic actuation HP05A, HP05C and HP05L
 - Sections designed to house auxiliary valve option require double choice on work ports A and port B.
 Always indicate setting value when using antishock and pilot combined valve: 01 PA (120) - 04 PA (120)
 - When ordering a integrated outlet section with electrohydraulic actuation, it is necessary to specify connector type. (see table on page 27).



Integrated Outlet Section Arrangement

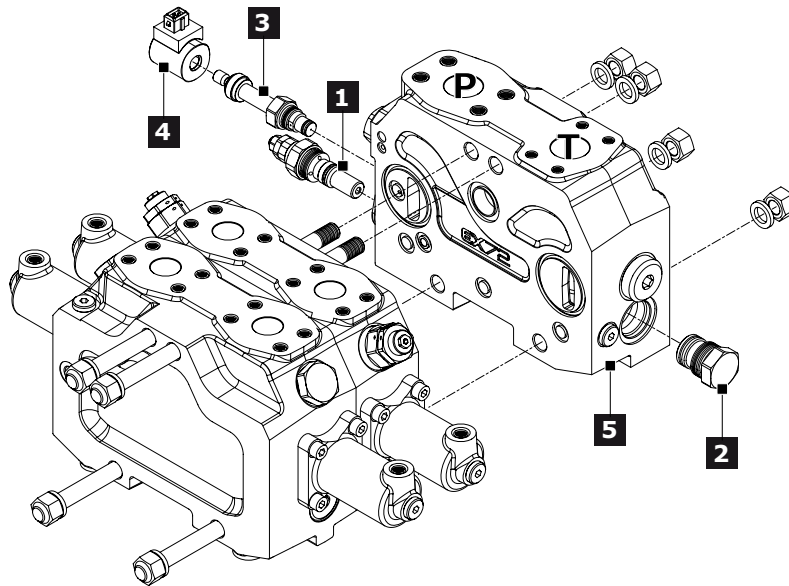
POST-COMPENSATED INTEGRATED OUTLET SECTION STD			
code	schema	configuration	description
RCK1A S35			<p>POST compensated integrated outlet section with LS drain - UPPER</p> <p>Arranged for auxiliary valves</p>
RCK1A S36			<p>POST compensated integrated outlet section with LS drain - SIDE</p> <p>Arranged for auxiliary valves</p>
RCK1C S35			<p>POST compensated integrated outlet section with LS drain - SIDE</p> <p>Arranged for auxiliary valves</p>
RCK1C S36			<p>POST compensated integrated outlet section with LS drain - SIDE</p> <p>Arranged for auxiliary valves</p>

POST-COMPENSATED INTEGRATED OUTLET SECTION WITH LOCAL LS RELIEF VALVE			
code	schema	configuration	description
RCDK1A S35			<p>POST compensated integrated outlet section with LS drain - UPPER</p> <p>Arranged for auxiliary valves</p>
RCDK1A S36			<p>POST compensated integrated outlet section with LS drain - SIDE</p> <p>Arranged for auxiliary valves</p>
RCDK1C S35			<p>POST compensated integrated outlet section with LS drain - SIDE</p> <p>Arranged for auxiliary valves</p>
RCDK1C S36			<p>POST compensated integrated outlet section with LS drain - SIDE</p> <p>Arranged for auxiliary valves</p>



EX72 SPARE PARTS LIST

Inlet Section

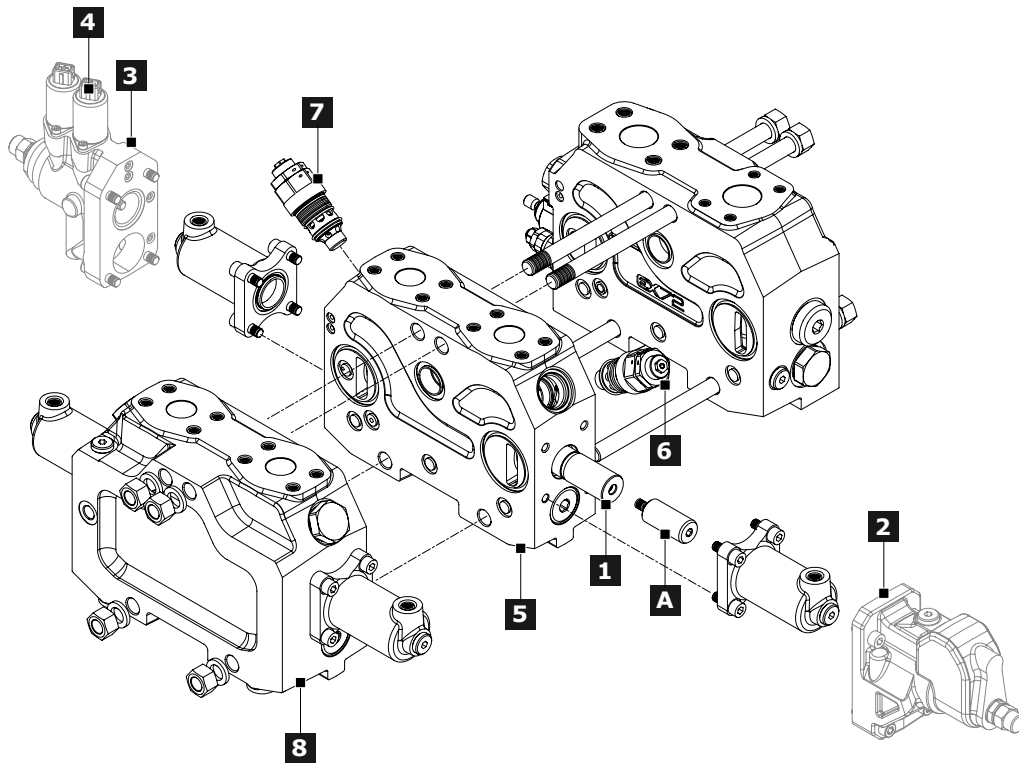


Rif.	Description	Order code	Q.ty	Code	Note
1	LS pressure relief valve	915029501	1	V1A	Setting range: 120-250 bar
	LS relief plug	915029502	1	V2A	Setting range: 251-350 bar
2	Full flow pilot operated pressure relief valve	915078801	1	V3B	Setting range: 50-390 bar
	Full flow relief plug	430488001	1	V4B	
3	LS plug	430059003	1	V10C	
	LS electric dump valve	413150076	1	V11C	
4*	Electric dump valve coil	413171235	1	C12DI	DIN 43650 ISO 4400 - 12 Vdc
		413172432	1	C24DI	DIN 43650 ISO 4400 - 24 Vdc
		413171238	1	C12DE	DEUTSCH DT 4 - 12 Vdc
		413172440	1	C24DE	DEUTSCH DT 4 - 24 Vdc
		413171237	1	C12AJ	AMP JUNIOR - 12 Vdc
		413172433	1	C24AJ	AMP JUNIOR - 24 Vdc
5	Open centre inlet section	029500001	1	KV S37	for fixed displacement pumps
		029500002	1	KV S38	
	Closed centre inlet section	029500003	1	JV S37	for variable displacement pumps
		029500004	1	JV S38	
	Open centre inlet section wih RDP	029500011	1	KVR S37	for fixed displacement pumps
		029500012	1	KVR S38	
	Closed centre inlet section wih RDP	029500013	1	JVR S37	for variable displacement pumps
		029500014	1	JVR S38	

(*) = Electric dump valve coil must be ordered separately: see table "A" page 16.



Post-Compensated Work Section and Integrated Outlet Section



Rif.	Description	Order code	Q.ty	Code	Note
1	3 positions double-acting spool	421295021	1	W001C 160160	spool 160 l/min
		421295007	1	W001C 200200	spool 200 l/min
		421295009	1	W001C 250250	spool 250 l/min
		421295005	1	W001C 280280	spool 280 l/min
		421295001	1	W001C 340340	spool 340 l/min
	3 positions double-acting spool A and B to tank	421295019	1	W002C 160160	spool 160 l/min
		421295008	1	W002C 200200	spool 200 l/min
		421295015	1	W002C 250250	spool 250 l/min
		421295006	1	W002C 280280	spool 280 l/min
		421295002	1	W002C 340340	spool 340 l/min
A	Spool end	-	1		for hydraulic actuation
		-	1		for electrohydraulic actuation
2	Hydraulic actuation (ports on the top)	320595100	1	HP05A	
	Hydraulic actuation (ports on the sides)	320595106	1	HP05C	BSP version
	Hydraulic actuation with stroke limiter	320595112	1	HP05L	
	Hydraulic actuation (ports on the top)	320595103	1	HP05A	
	Hydraulic actuation (ports on the sides)	320595109	1	HP05C	UNF version
	Hydraulic actuation with stroke limiter	320595115	1	HP05L	
	Lever actuation + electrohydraulic actuation	322595002	1	HP04	
	Lever actuation + electrohydraulic actuation with stroke limiter	322595003	1	HP04L	
	Without lever + electrohydraulic actuation	322595004	1	HP07	
Without lever + electrohydraulic actuation with stroke limiter	322595005	1	HP07L		



Rif.	Description	Order code	Q.ty	Code	Note	
3	Lever actuation + electrohydraulic actuation	322595102	1	FP04	only with HP04-HP07	
	Without lever + electrohydraulic actuation with stroke limiter	322595103	1	FP04L	only with HP07L	
4	Solenoid kit	430093100	2	B12AJ	AMP JUNIOR - 12 Vdc	
		430093101	2	B24AJ	AMP JUNIOR - 24 Vdc	
		430093102	2	B12DE	DEUTSCH DT 4 - 12 Vdc	
		430093103	2	B24DE	DEUTSCH DT 4 - 24 Vdc	
5	Post compensated section standard with auxiliary valve	039500001	1	RC1 S35	Only for Hydraulic actuation	
		039500002	1	RC1 S36		
	Post compensated section with local LS relief valve with auxiliary valve	039500003	1	RCD1 S35 70/180		
		039500004	1	RCD1 S35 181/280		
		039500005	1	RCD1 S36 70/180		
		039500006	1	RCD1 S36 181/280		
		039500007	1	RCD1 S35 281/350		
		039500008	1	RCD1 S35 351/420		
		039500009	1	RCD1 S36 281/350		
		039500010	1	RCD1 S36 351/420		
		Post compensated section standard with auxiliary valve	039500101	1		RC1 S35
			039500102	1		RC1 S36
	Post compensated section with local LS relief valve with auxiliary valve		039500103	1		RCD1 S35 70/180
			039500104	1		RCD1 S35 181/280
			039500105	1		RCD1 S36 70/180
			039500106	1		RCD1 S36 181/280
039500107		1	RCD1 S35 281/350			
039500108		1	RCD1 S35 351/420			
039500109	1	RCD1 S36 281/350				
039500110	1	RCD1 S36 351/420				

Auxiliary valve

Rif.	Description	Order code	Q.ty	Code	Note
6	Antishock valve - port A	915068804	1		setting: 60/100
		915068805	1	01 PA	setting: 101/160
		915068806	1		setting: 161/250
	Anticavitation valve - port A	915088801	1	02 PA	
	Pilot Combined valve - port A	915078801	1	04 PA	setting: (50/420 bar)
Prearrangement for auxiliary valve - port A	430488001	1	05 PA		
7	Antishock valve - port B	915068804	1		setting: 60/100
		915068805	1	01 PB	setting: 101/160
		915068806	1		setting: 161/250
	Anticavitation valve - port B	915088801	1	02 PB	
	Pilot Combined valve - port B	915078801	1	04 PB	setting: (50/420 bar)
Prearrangement for auxiliary valve - port B	430488001	1	05 PB		



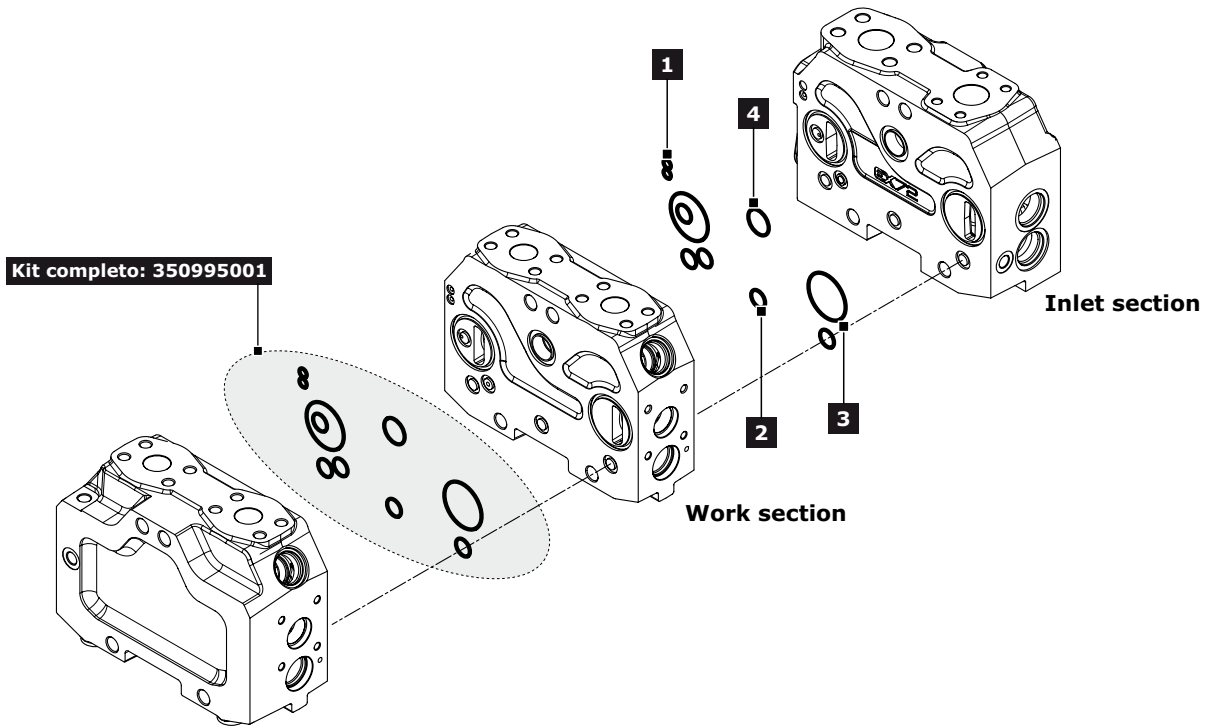
Post-Compensated Integrated Outlet Section

Integrated Outlet Sections are equipped with the same parts of work section, change only the body arrangement.

Rif.	Description	Order code	Q.ty	Code	Note	
8	Integrated outlet section with LS drain - UPPER	039500201	1	RCK1A S35		
		039500202	1	RCK1A S36		
	Integrated outlet section with LS drain - SIDE	039500203	1	RCK1C S35		
		039500204	1	RCK1C S36		
	Integrated outlet section with LS drain - UPPER with local LS relief valve with auxiliary valve	039500211	1	RCDK1A S35 71/180		
		039500212	1	RCDK1A S35 181/280		
		039500213	1	RCDK1A S36 71/180		
		039500214	1	RCDK1A S36 181/280		
		039500215	1	RCDK1C S35 71/180		
	Integrated outlet section with LS drain - SIDE with local LS relief valve with auxiliary valve	039500216	1	RCDK1C S35 181/280		Only for Hydraulic actuation
		039500217	1	RCDK1C S36 71/180		
		039500218	1	RCDK1C S36 181/280		
	Integrated outlet section with LS drain - UPPER with local LS relief valve with auxiliary valve	039500219	1	RCDK1A S35 281/350		
		039500220	1	RCDK1A S35 351/420		
		039500225	1	RCDK1A S36 281/350		
	Integrated outlet section with LS drain - SIDE with local LS relief valve with auxiliary valve	039500226	1	RCDK1A S36 351/420		
		039500227	1	RCDK1C S35 281/350		
		039500228	1	RCDK1C S35 351/420		
	Integrated outlet section with LS drain - SIDE with local LS relief valve with auxiliary valve	039500229	1	RCDK1C S36 281/350		
		039500230	1	RCDK1C S36 351/420		
	Integrated outlet section with LS drain - UPPER	039500221	1	RCK1A S35		
		039500222	1	RCK1A S36		
	Integrated outlet section with LS drain - SIDE	039500223	1	RCK1C S35		
		039500224	1	RCK1C S36		
	Integrated outlet section with LS drain - UPPER with local LS relief valve with auxiliary valve	039500231	1	RCDK1A S35 71/180		
		039500232	1	RCDK1A S35 181/280		
039500233		1	RCDK1A S36 71/180			
039500234		1	RCDK1A S36 181/280			
039500235		1	RCDK1C S35 71/180			
Integrated outlet section with LS drain - SIDE with local LS relief valve with auxiliary valve	039500236	1	RCDK1C S35 181/280	Only for Electrohydraulic actuation		
	039500237	1	RCDK1C S36 71/180			
	039500238	1	RCDK1C S36 181/280			
Integrated outlet section with LS drain - UPPER with local LS relief valve with auxiliary valve	039500239	1	RCDK1A S35 281/350			
	039500240	1	RCDK1A S35 351/420			
	039500241	1	RCDK1A S36 281/350			
Integrated outlet section with LS drain - UPPER with local LS relief valve with auxiliary valve	039500242	1	RCDK1A S36 351/420			
	039500243	1	RCDK1C S35 281/350			
Integrated outlet section with LS drain - SIDE with local LS relief valve with auxiliary valve	039500244	1	RCDK1C S35 351/420			
	039500245	1	RCDK1C S36 281/350			
	039500246	1	RCDK1C S36 351/420			



Gasket kits



Ref.	Order Code	Description	Q.ty
1	412010122	O.R. 70SH 6.07 x 1,78 (2-10)	2
2	412020609	O.R. 90SH 13.11 x 2.62 (5-616)	5
3	612020501	O.R. 90SH 50.39 x 3.53 (1BWG4)	2
4	412020904	O.R. 90SH 29.74 x 3.53	1

Order code complete Gasket kit: 350995001



INSTALLATION

Guidelines

- Never use the Control Valve at a pressure exceeding the rated pressure; if not, there is the possibility of leakage in the Control Valve;
- Use the Control Valve within the rated flow; if not there might be malfunction or a deterioration in heat balance. If it is unavoidable to use the Control Valve at a level exceeding the rated flow, carry out various confirmatory tests and use it within the verified range. If the Control Valve is used under a condition beyond the verified range, we shall not be responsible for any accidents occurred as a result of the use.
- Using low-cleanliness hydraulic fluid might cause seal failure or damage to the seal part, resulting in operation failure, or operation mistake of the machine; the customer is requested to check the cleanliness of the hydraulic fluid without fail.

Storage

Do not store the HC product in:

- Places where it might be damaged;
- Very hot/humid areas;
- Where it could get wet;
- Where it could come into contact with organic solvents, acids, alkalis and/or dangerous gases;
- In places subject to sudden, significant changes in temperature;
- only remove the packaging when you have decided to assemble the product.



Warning

- Hydrocontrol is not responsible for any damages due to a storage not in compliance with our prescriptions;
- For any doubts, please contact our aftersales department.

Installation procedures

On receiving the Hydrocontrol product make sure you:

- Check if there are some sign of damage of the packaging;
- Check that the dimensions of the product seat are compatible with those of the product itself;
- Check that assembly seat is compatible with the dimensions of the part and that it has been prepared for part set-up (connection hoses ready etc.);
- Remove the plastic caps that protect the service ports and be careful not to introduce any dirt or foreign matters inside the control valve as this could damage it;
- Mount the control valve securely to a flat surface (recommended 3 point fixing); at the time do not use a hammer to positioning by hitting; any distortion in assembly can result in spool sticking and poor control;
- Clean piping materials sufficiently before use;
- Prevent the port openings from being entered with dust or foreign matters;
- Double check that hoses are correctly connected following prescription and indication of hydraulic schema, especially:
 - (in case of EH control) be sure that drain line is directly connected to tank (avoid any back pressure)
 - (in case of variable displacement system) be sure that LS signal line is correctly connected to the pump regulator.
- tighten the port connectors surely with the recommended fastening torques (Nm) as shown in the following table;
- If possible, install the valve in a protected environment, avoiding direct exposure to weathering, water, salt or any other corrosion substances

**Warning**

- Falling or hitting the Control Valve might bend the Spool so as to cause an accident due to an operation failure;
- If the Control Valve is mounted in a uneven surface, the Control Valve Body might be deformed, which results on a malfunction or external leakage;
- If there are foreign matters in each port, the Control Valve operation might fail so as to cause an accident;
- Do not tighten fittings with torque more than the recommended value; If not there might be strains or damage to Control Valve so as to cause a serious accident;
- If the piping are not connected to the correspondent ports, unintentional movements might cause a serious accident;
- Hydrocontrol is not responsible for any damages due to an installation procedure not in compliance with our prescriptions;
- For any doubts, please contact our aftersales department.

Handling Precautions

When the Control Valve is handled, ensure:

- that you do not drop, hit or damage the product;
- that you do not hold the pilot cover or return spring cap of the spool or accessory valves such as main relief valves and anti-shock relief valves

Handling Precautions

Disassembly and assembly should be carried out by Hydrocontrol technicians. If the Control Valve doesn't work in the adequate way, we advise you to contact our aftersales department. However if the disassembly and assembly operations are strictly unavoidable, you must observe the following prescriptions and charge the carrying out of the operations to technicians high qualified in hydraulic field.

- The Control Valve reaches high temperature after operating the machine; start the work only after checking that the temperature is low;
- The valve can hold high internal pressure; release the inside pressure and ensure all machine actuators are in a rest position before removing the piping. In any case safely and carefully unscrew connections and fittings. If not, there might be a fall of attachments or high-temperature hydraulic fluid jet. Remind to wear the safety equipment and goggles;
- Pay attention in removing electrical connectors;
- Since hydraulic devices are all machined precisely with very accurate clearances, carry out the disassembly adassembly work at a clean place;
- Make sure to prevent the device form being entered with dust, sand and the like;
- Before removing the pipes, attach suitable indications on them to be able to locate their positions late. It is also advisable to label dismantled parts and write down their original location;
- Before disassembly work, get the assembly instructions by requiring to our aftersales department and prepare all the material needed for the task;
- To disassemble and assemble the valve observe strictly our mounting instructions;
- Since there is the possibility of rust when the disassembled parts are left, apply anticorrosive oil to the parts and seal them;
- If it is unavoidable to dismount spring kit from the spool, ensure to clamp the spool through plastic or aluminum devices;
- Before remounting the Control Valve on the operating machine, ensure that the Control Valve has not been affected by carrying out various hydraulic tests (e.g. Relief Valve setting, Leak test..);
- Before reassembling electrical connectors, verify their integrity and check if they are dry

**Warning**

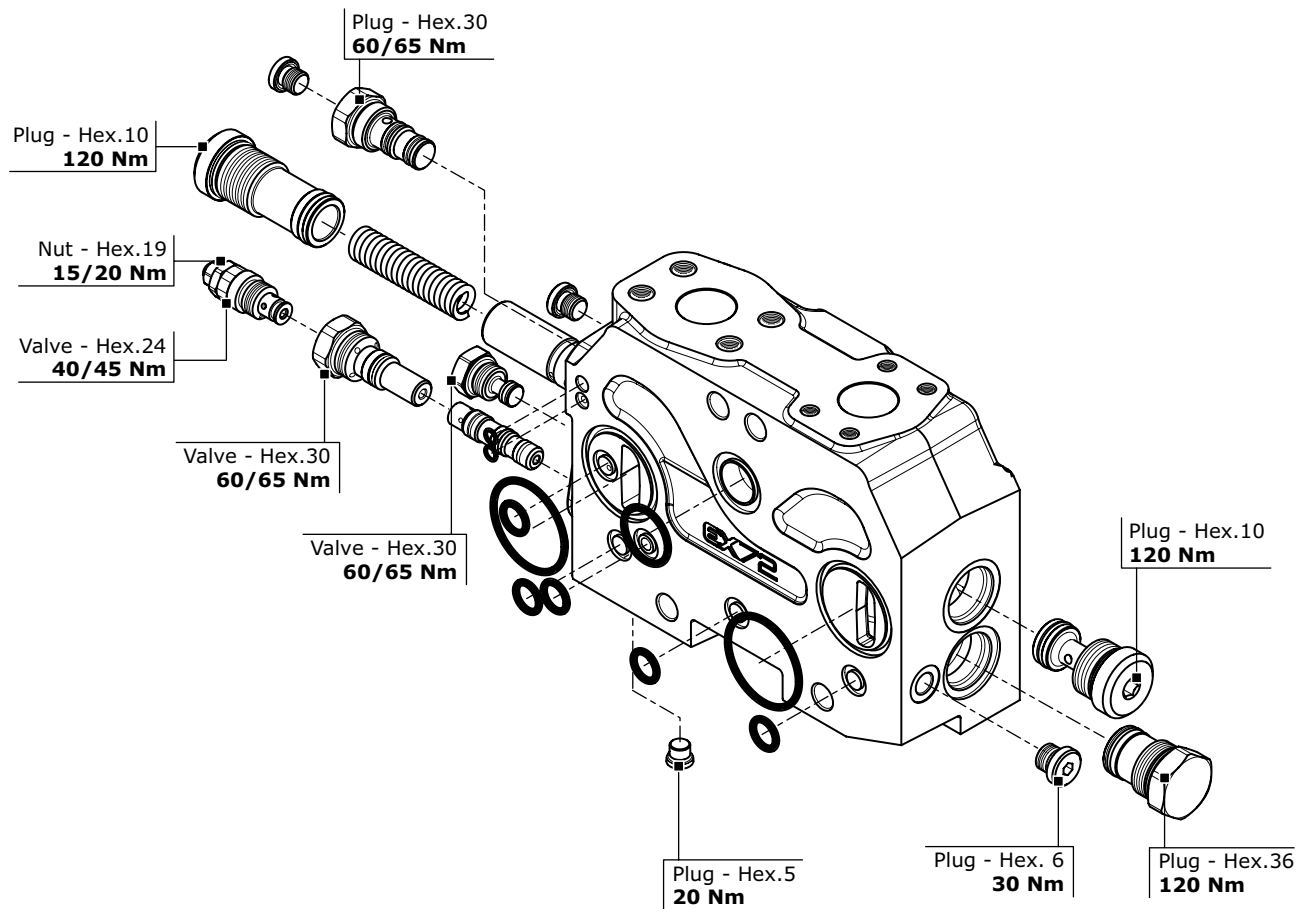
- Always bear in mind that "all workers must act responsibly to ensure their own health and safety"; use of personal protection equipment is therefore essential. All the disassembly and assembly operations must observe strictly the procedures listed in the Hydrocontrol Mounting Instruction.
- Hydrocontrol is not responsible for any damages due to disassembly and assembly procedures not in compliance with our prescriptions.
- For any doubts, please contact our aftersales department.



General clamping torque

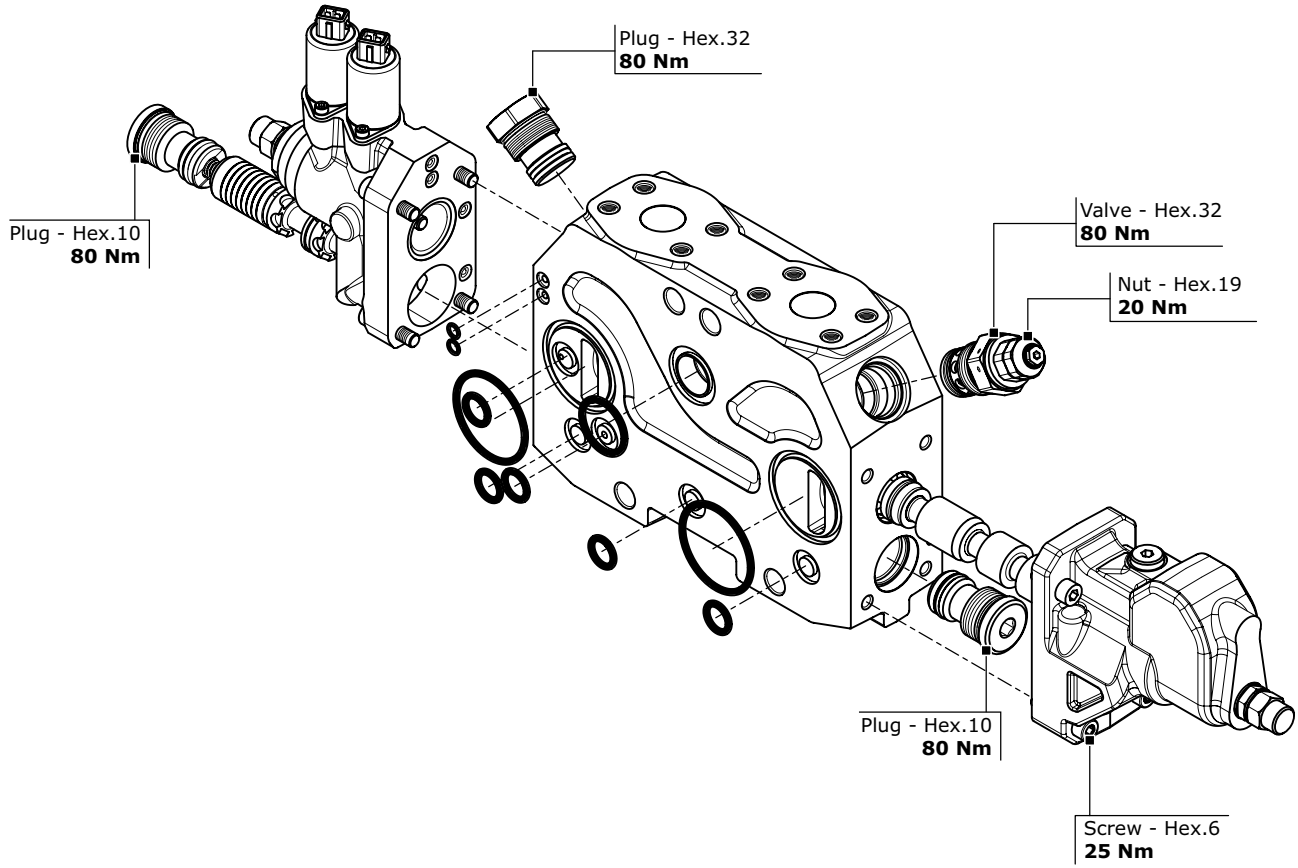
The following table provides the main tightening torques of the distributor EX72; are highlighted in 3 separate drawings depicting the inlet section, the working section and the integrated outlet section.

Inlet Section



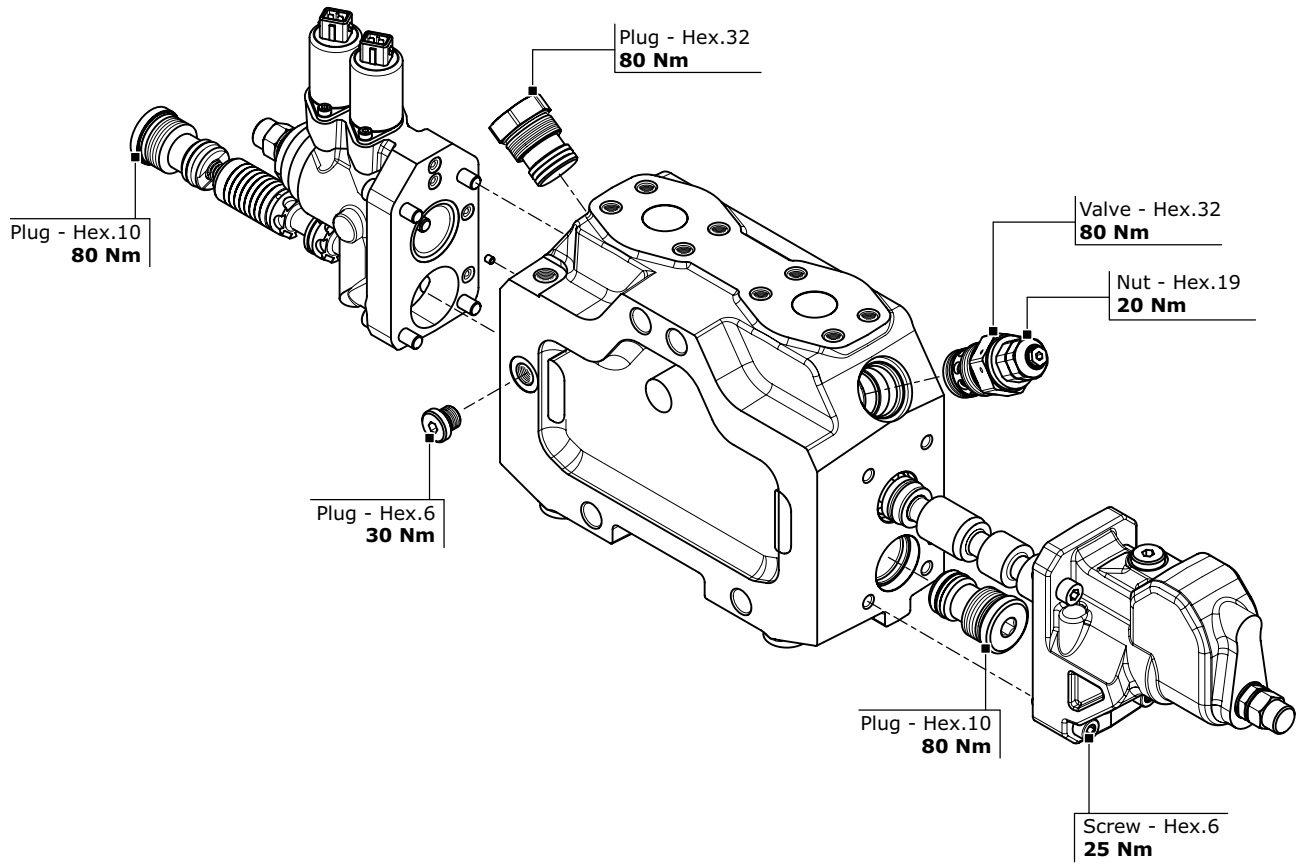


Work Section





Integrated Outlet Section





Dimensions - Thread codes

The connection ports size is indicated by an ordering code common for all Hydrocontrol products. Following table shows all available connections.

METRIC THREAD (ISO 9974-1)

Type	M18x1,5	M22x1,5	M27x2
Code	M01	M02	M03

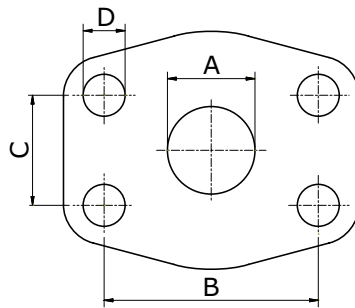
BSP THREAD (ISO 1179-1)

Type	1/4"	3/8"	1/2"	3/4"	1"	1"1/4	1"1/2	2"
Code	G02	G03	G04	G05	G06	G07	G08	G09

UN / UNF THREAD (ISO 11926-1)

Type	9/16" 18 UNF SAE6	3/4" 16 UNF SAE8	7/8" 14 UNF SAE10	1"1/16 12 UNF SAE12	1"5/16 12 UNF SAE16	1"5/8 12 UNF SAE20
Code	U02	U03	U04	U05	U06	U07

Dimensions - SAE Flange codes



SAE / 3000 FLANGE (ISO 6162-1)

Type	3/4" (MA)	3/4" (UNC)	1" (MA)	1" (UNC)	1"1/4 (MA)	1"1/4 (UNC)	1"1/2 (MA)	1"1/2 (UNC)	2" (MA)	2" (UNC)	3" (MA)	3" (UNC)
Code	S03	S04	S05	S06	S07	S08	S09	S10	S11	S12	S15	S16
A	19	19	25	25	32	32	38	38	51	51	76	76
B	47,6	47,6	52,4	52,4	58,7	58,7	69,9	69,9	77,8	77,8	106,4	106,4
C	22,3	22,3	26,2	26,2	30,2	30,2	35,7	35,7	42,9	42,9	61,9	61,9
D	M10	3/8-16	M10	3/8-16	M10	7/16-14	M12	1/2-13	M12	1/2-13	M16	5/8-11

SAE / 6000 FLANGE (ISO 6162-2)

Type	3/4" (MA)	3/4" (UNC)	1" (MA)	1" (UNC)	1"1/4 (MA)	1"1/4 (UNC)	1"1/2 (MA)	1"1/2 (UNC)
Code	S33	S34	S35	S36	S37	S38	S39	S40
A	19	19	25	25	32	32	38	38
B	50,8	50,8	57,2	57,2	66,6	66,6	79,3	79,3
C	23,8	23,8	27,8	27,8	31,8	31,8	36,5	36,5
D	M10	3/8-16	M12	7/16-14	M14	1/2-13	M16	5/8-11



GENERAL CONDITIONS AND PATENTS

Product identification

All Hydrocontrol products have an identifying plate placed in specific position.



Serial number

Serial number:
It univocally identifies the physical valve: this provides an easy way to find all sales and production details.

Product code

Product code:
It is a number univocally identifying the configuration and pressure settings of a valve.

Introduction

These general conditions apply to all general supplies from Hydrocontrol s.p.a., after receiving orders from the Customer. Should commercial terms such as EXW, DDP, etc be mentioned, of course the Incoterms of the International Chamber of Commerce must be referred to, according to the test existing when the general supply conditions are agreed on.

Management of orders

No Customer's order is binding to Hydrocontrol s.p.a. if Hydrocontrol s.p.a. has not confirmed the order in writing. Hydrocontrol s.p.a. commits to supplying the orders in compliance with the order confirmation that has been issued. Any disagreement with the content of the order confirmation must be communicated in writing to Hydrocontrol s.p.a. within and no later than 5 days from the delivery of the order confirmation. The Customer commits to paying for the goods supplied by Hydrocontrol s.p.a., according to the prices indicated on the order confirmation.

Payment conditions

The Parties agree on the payment terms at the beginning of the supply. The terms will be indicated on the order confirmation. Should the Customer be late with the payments, Hydrocontrol S.p.a. will be entitled to require the payment of interests on arrears based on the exiting Prime Rate increased by 2%. Should there be any payment delay, Hydrocontrol s.p.a. will be entitled not to process the Customer's purchase order, even if it has already been confirmed.

Delivery and shipment

The goods are always supplied Ex Works, even when Hydrocontrol s.p.a. agrees with the Customer that the shipment, or a part of it, will be arranged by Hydrocontrol s.p.a. It is agreed that the Customer will bear the risk of goods deterioration or damaging from the moment the goods are handed by Hydrocontrol s.p.a. to the first carrier.

Product characteristics

Hydrocontrol s.p.a. commits to supplying good quality products, compliant with the technical specifications declared on the technical tables and on the catalogue. Hydrocontrol s.p.a, even without notice, at its own discretion, reserves the right to modify the products as necessary, without these changes altering the main characteristics of the products.

Claims

Any claims about defects on delivered products (just as an example: claims about the packaging, the number, the quantity or the external product characteristics) will have to be notified to Hydrocontrol s.p.a. in writing, within and no later than 7 days from reception of the goods, otherwise the claims will be considered as null and void. Occult defects (the defects of the goods that cannot be spotted with a careful control of the goods received by the Customer), will have to be notified in writing to Hydrocontrol s.p.a. within 7 days from the discovery of the defect, and anyhow no later than 12 months from the delivery of the goods, otherwise the claim will be considered as null and void. Even in case of claim or objection, the Customer will never be entitled to suspend or delay the payments to Hydrocontrol s.p.a. for the products subject to claim or objection nor for any other supply.



GENERAL CONDITIONS AND PATENTS

Warranty

Should the products supplied by Hydrocontrol not be compliant or have the required quality and should this defect be due to Hydrocontrol, Hydrocontrol s.p.a. commits, at its choice, to replace or repair the faulty products, as long as the defect or lack of compliance is notified to Hydrocontrol s.p.a. in writing, as specified at point 6, within and no later than 12 months from product delivery. On the products that have been fixed or replaced in accordance with what specified above, the above-mentioned warranty applies. The 12 month duration starts from the date of repair or replacement. In case of defects, lack of quality or in case of lack of compliance for the supplied products, with the exception of fraud or serious offence, Hydrocontrol s.p.a. only commits to repairing or replacing the faulty products, according to what specified above. This warranty replaces any other Supplier's warranty or liability established by the law. This warranty excludes any other liability contractual or extra-contractual by Hydrocontrol s.p.a. on the products supplied by Hydrocontrol (as a mere example: damage refund, loss of profit, product recall campaign, etc). Hydrocontrol s.p.a. has signed a product civil liability police, with a suitable maximum coverage.

Ownership retention

The products supplied by Hydrocontrol s.p.a. will be owned by the latter until Hydrocontrol receives the complete payment for the supplied goods.

Obligation confidentiality

Hydrocontrol s.p.a. commits to not disclosing the technical and commercial information it receives from the Customer, unless this information has already been publicly disclosed.

Patents

The Customer is not allowed to use the provided Products, or a part of them, their descriptions or drawings protected or not protected by Patent or registered trademark in order to design or make similar products, unless Hydrocontrol s.p.a. previously issues its written authorization. Should Hydrocontrol s.p.a. give its written authorization, all patents, trademarks, registered designs, copyrights and intellectual property rights related or connected to the Products provided by Hydrocontrol s.p.a. will stay Hydrocontrol's property. The Customer commits to respecting the highest confidentiality.

Applicable law and court of jurisdiction

Hydrocontrol s.p.a.'s supplies are regulated by these General Supply Conditions and, for anything not defined here, by the Italian law. Any controversy related, generated or connected to the supply of Products by Hydrocontrol s.p.a., where Hydrocontrol s.p.a. is involved, will be exclusively dealt with by the Court of Bologna.

Walvoil nel mondo - Walvoil worldwide
Sede principale, Filiali e Uffici di rappresentanza
Headquarters, Subsidiaries and Representative Offices

Walvoil S.p.A. - Headquarters

Via Adige, 13/D . 42124 Reggio Emilia . Italy
Phone +39 0522 932411 . info@walvoil.com - www.walvoil.com

Business Unit Hydrocontrol

Via San Giovanni, 481 . 40060 Osteria Grande
Castel S. Pietro Terme . Bologna . Italy
Phone +39 051 6959411

Galtech Site

Via Portella della Ginestra, 10 . 42025 Cavriago
Zona Industriale Corte Tegge . Reggio Emilia . Italy
Phone +39 0522 932411

AUSTRALASIA

Walvoil Fluid Power Australasia Pty Ltd

13 Vanessa Way . Delahey VIC 3037 . Melbourne . Australia
TEL. 0061 458 918 750 . australasia@walvoil.com

BRASILE . BRAZIL

Interpump Hydraulics Brasil Ltda - Walvoil Division

Gilberto de Zorzi, 525 . Forqueta Caxias do Sul (RS)
TEL. 0055 54 3223 2373 . infobrasil@walvoil.com

CANADA

Galtech Canada Inc.

3100, Jacob Jordan . Terrebonne . Qc J6X 4J6 . Canada
Phone +1 450 477 1076 Ext:225 . info@galtechcanada.com

CINA . CHINA

Walvoil Fluid Power (Shanghai) Company Limited

24, Lane 129, Dieqiao Road . Pu Dong . Kanqiao Industrial Zone Shanghai (201319)
TEL. 0086 21 60979800 . info@walvoil.com.cn

Guangzhou Bushi Hydraulic Technology Ltd

Shangwei Shaheshe, Yuehu Village . Xiancun, Xintang Town . Zengcheng City
511335 Guangzhou . Guangdong Province China
Phone +86 021 52380695 . fareast@hydrocontrol-inc.com

COREA DEL SUD . SOUTH KOREA

Walvoil Fluid Power Korea Ltd.

80-15, Oseongsandan 1Ro, Oseong-Myun, Pyungtaek, Kyungki . Korea 451-872
TEL. +82 31 682 6030 . info@walvoil.co.kr

FRANCIA . FRANCE

Walvoil Fluid Power France

362 rue de Bretagne . 44540 Vritz
TEL. 0033 2 41 94 41 06 . france@walvoil.com

INDIA

HC Hydraulic Technology(P) LTD

A5(B) Ngef Ancillary Indl. Estate . Whitefield Road
Mahadevpura (Po) . Bangalore 560048 . India
Phone +91 080 40454707 . info@hydrocontrol-india.com

Walvoil Fluid Power (India) PVT. LTD.

No 23, Doddanakundi Industrial Area Mahadevapura Post Behind Graphite India
Bangalore 560 048
TEL. 0091 80 41842900 . info@walvoil.co.in

U.S.A.

Hydrocontrol Inc.

1109, Technology Drive . Red Wing . MN 55066 . U.S.A.
Phone +1 651 212 6400 . usa@hydrocontrol-inc.com

Walvoil Fluid Power Corporation

4111 North Garnett Tulsa, OK 74116, USA
TEL. 001 918 858 7100 . info@walvoilfluidpower.com

1st edition EX72.01

www.hydrocontrol-inc.com



D1WHED04E

