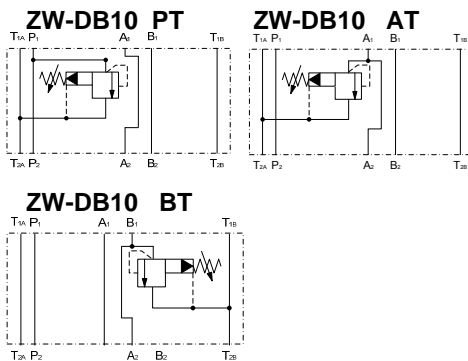




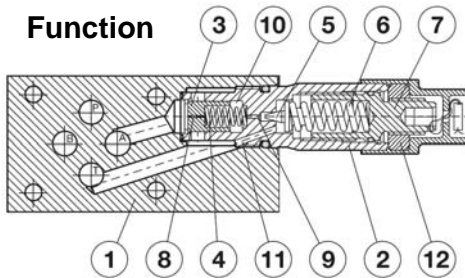
Pressure Relief Valve pilot operated Sandwich plate type ZW-DB10

up to 350 bar
up to 100 l/min

SYMBOL



Function



- | | |
|------------------------|--------------------|
| 1 - Housing | 7 - Adjust spindle |
| 2 - Cartridge valve | 8 - Bore hole |
| 3 - Main valve | 9 - Seat pilot |
| 4 - Spring main piston | 10 - Main piston |
| 5 - Pilot | 11 - Spring detent |
| 6 - Spring for pilot | 12 - Counter nut |

FEATURES

- Hole pattern to DIN 24340, ISO 4401-05, nominal size 10
- Pressure relief valve sandwich plate type with single sided relief function and output to the tank
- easy to assemble under body mounted spool valves to DIN 24340, ISO 4401 (use longer screws)
- adjustable by tool

types

- type PT: Pressure relief in P, Drain T
- type AT: Pressure relief in A, Drain T
- type BT: Pressure relief in B, Drain T

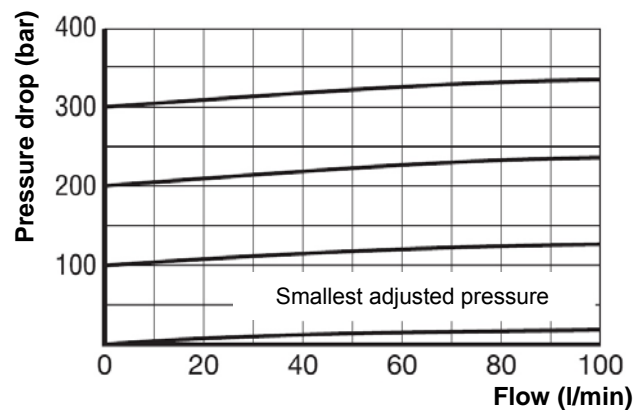
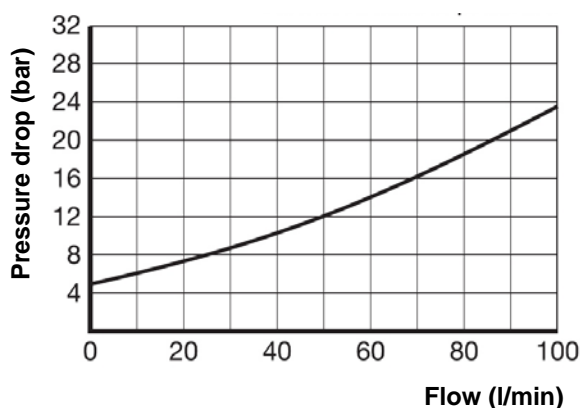
SPECIFICATIONS

- | | |
|------------------------------|--|
| Nominal pressure: | max. 350 bar |
| Pressure ranges: | up to 315 bar |
| Nominal flow: | max. 100 l/min |
| Fluids: | Hydraulic fluid to DIN 51524 part 1 and 2 |
| Media operating temp. range: | -20°C up to max. +70°C |
| Ambient temperature range: | -20°C up to max. +50°C |
| Viscosity range: | 15 – 380 mm ² /s is recommended |
| Filtration: | Class 20/18/15 to ISO 4406 or cleaner |
| MTTFd: | 150 (a) years |
| Weight: | 2,6 kg incl. valve |

PERFORMANCE

measured at $v = 36\text{mm}^2/\text{s}$ and $T_{\text{oil}} = 50^\circ\text{C}$

Pressure drop Δp -Q



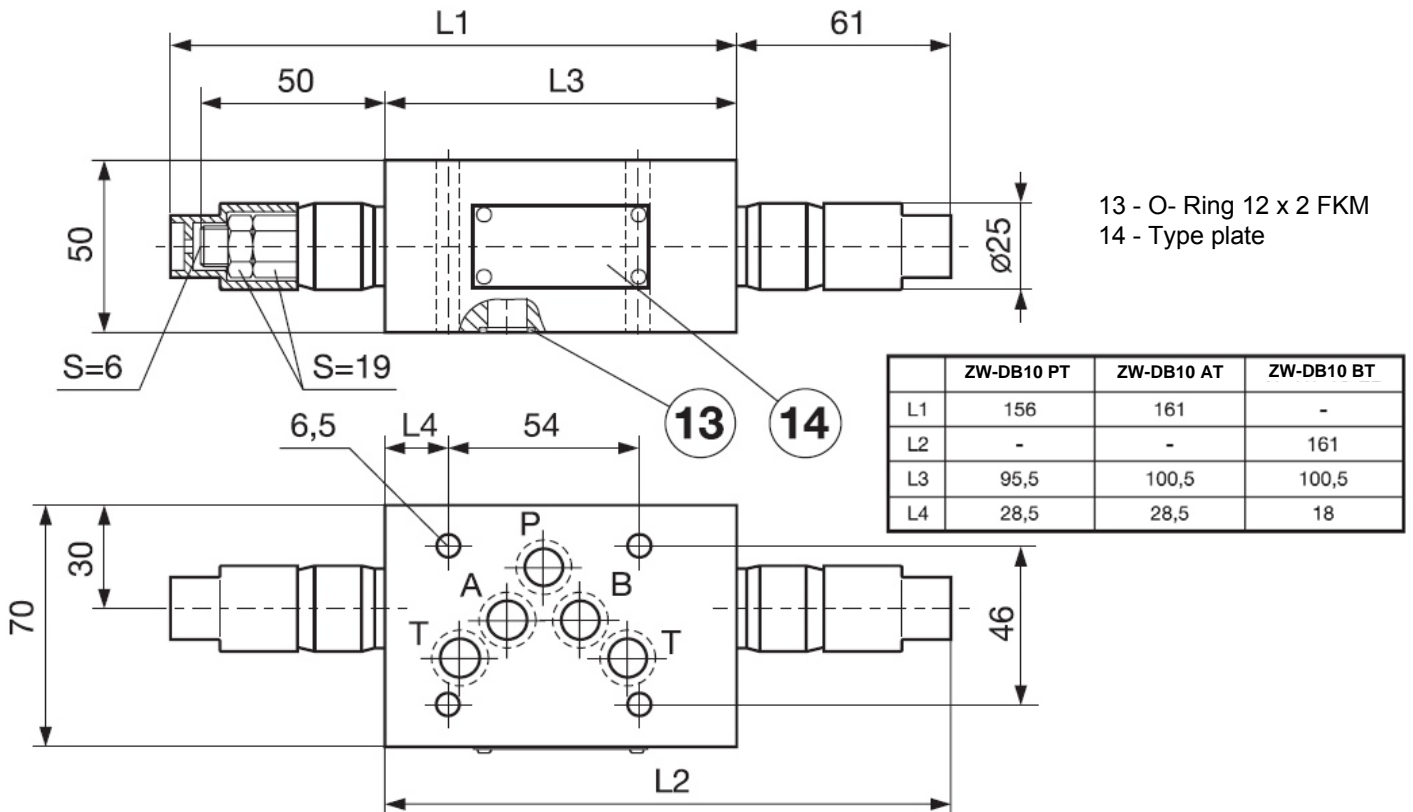
(Index 1 = device side / Index 2= plate side)

Standard models **Part No.**
 ZW-DB10-01-PT 315V- V 6078915
 ZW-DB10-01-AT 315V- V 6078916
 ZW-DB10-01-BT 315V- V 6078917
 other types on request

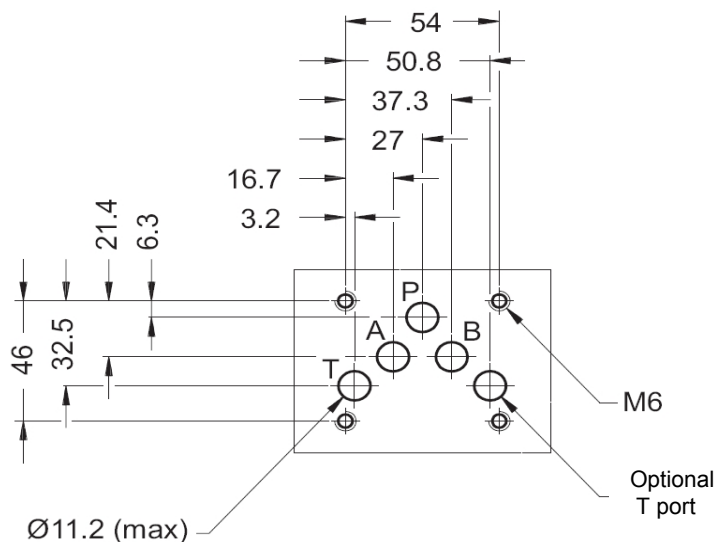
MODEL CODE

ZW-DB10 - 01 - PT - 315V -V
Name and nominal size _____
 Pilot operated pressure relief valve
 Sandwich plate type
Series _____
 01 = Standard, phosphated
Type _____
 - type PT: Pressure relief in P, output T
 - type AT: Pressure relief in A, output T
 - type BT: Pressure relief in B, output T
Pressure ranges _____
 315 = 315 bar
Seal material _____
 V = FKM (Standard)
 N = NBR

Dimensions



Mounting plate to ISO 4401-05-04-0-94



Annotation
 The information in this brochure relates to the operating conditions and applications described. For applications or operating conditions not described, please contact the relevant technical department. Subject to technical modifications.

HYDAC Fluidtechnik GmbH
 Justus-von-Liebig-Str. 5
 D - 66280 Sulzbach / Saar
 Tel. 06897 / 509 -01
 Fax 06897 / 509 -598
 Email flutec@hydac.com